

## RUBBER EXPANSION JOINT TEGUFLEX® P FP PURPLE FKM

Rubber expansion joint Teguflex FKM purple with swiveling flanges to absorb vibrations and noises on highly aggressive chemicals products at high temperature, hydrocarbons and aromatic solvent.

Body in FKM silicon free and carbon steel electro galvanized flanges.

For linear and angular compansion.

130 mm long for all DN.



**Size :** DN25 to DN300  
**Connection :** Flanges PN10/16  
**Min Temperature :** -20°C  
**Max Temperature :** +150°C  
**Max Pressure :** 16 Bars up to DN150, 8 Bars over  
**Specifications :** Absorb vibrations and noise  
Linear and angular compansion  
Inner Tube FKM silicon free

**Materials :** Electro galvanized steel flanges

**RUBBER EXPANSION JOINT TEGUFLEX® P FP PURPLE FKM**

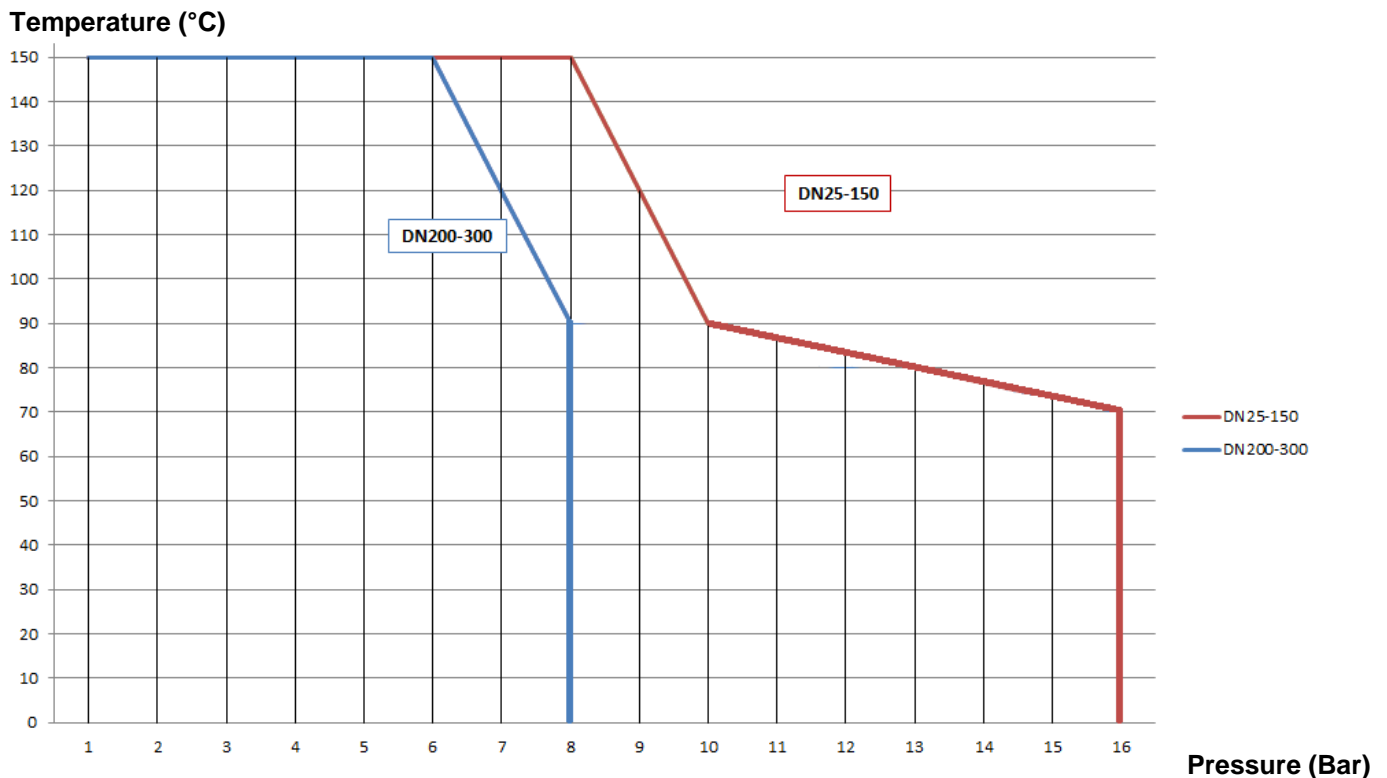
**SPECIFICATIONS :**

- Absorb vibration, noises and expansion
- Linear and angular compansion
- Inner tube FKM silicon free
- 130 mm length
- Electro galvanized steel swiveling flanges
- PN10/16 up to DN150, PN10 over
- On request, PN6, PN16 and Class 150 PN20 flanges
- AISI 316 flanges on request
- AISI 316 Ti vacuum ring on request (Ref.9815050 to 9815300)
- Inner liner PTFE on request (movements allowed by the expansion joints are then reduced by 50 % and pressure max is 6 bars)
- Bursting pressure >50 bar at 20°C
- Test pressure 25 bar at 20°C

**USE :**

- Highly aggressive chemicals products at high temperature, hydrocarbons, aromatic solvent
- Min and max temperature Ts : - 20°C to + 150°C
- Max pressure Ps : 16 bars at 70°C up to DN150 ( 6 bars with PTFE lining )  
8 bars at 90°C from DN200 to 300  
8 bars at 150°C up to DN150  
6 bars at 150°C from DN200 to DN300

**PRESSURE / TEMPERATURE GRAPH (STEAM EXCLUDED) :**



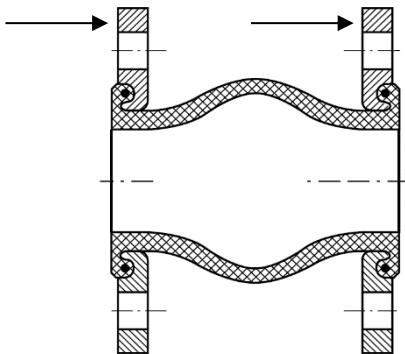
**MAXIMUM VACUUM :**

DN	25/32	40	50	65	80	100	125	150	200	250	300
Vacuum (bar)	-0.8	-0.8	-0.7	-0.6	-0.5	-0.5	-0.4	-0.3	-0.3	-0.2	-0.2

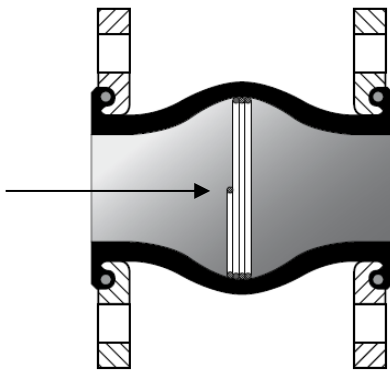
**RUBBER EXPANSION JOINT TEGUFLEX® P FP PURPLE FKM**

**RANGE :**

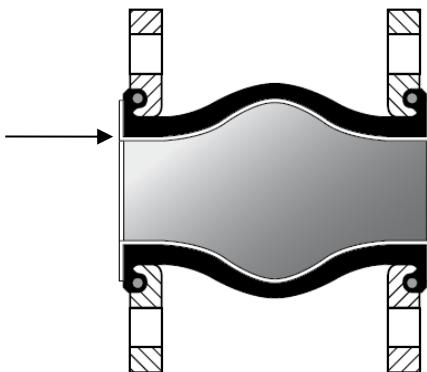
- FKM expansion joint with electro galvanized steel flanges PN10/16 from DN 25 to DN 150, PN10 over **Ref. 1567**
- **On Request :**



- AISI 316 flanges



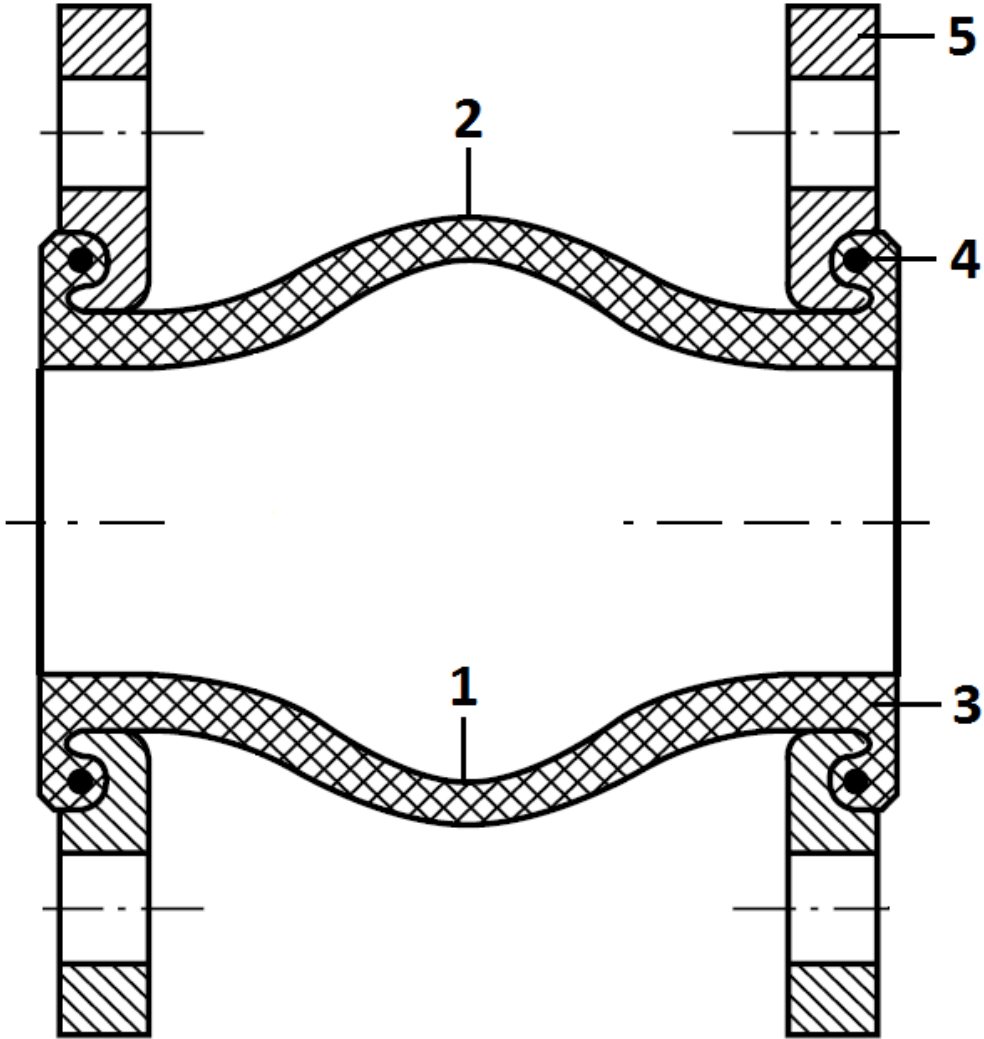
- AISI 316 Ti vacuum ring (vacuum up to -1 bar) Ref.9815050 to 9815300



- Inner liner PTFE (movements allowed by the expansion joints are then reduced by 50 % and pressure max is 6 bars)

**RUBBER EXPANSION JOINT TEGUFLEX® P FP PURPLE FKM**

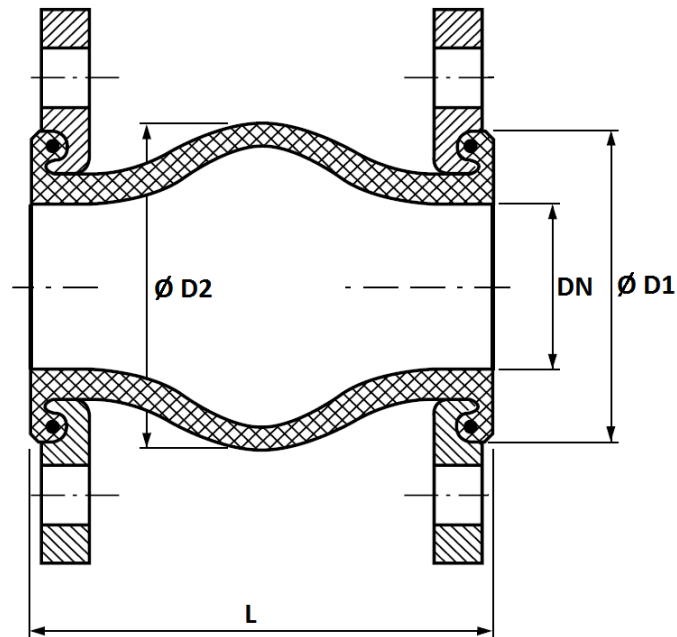
**MATERIALS :**



Item	Designation	Materials
1	Inner tube	FKM
2	Outer cover	
3	Reinforcement	Synthetic textile
4	Brace	Carbon steel
5	Swiveling flanges	Electro galvanized steel

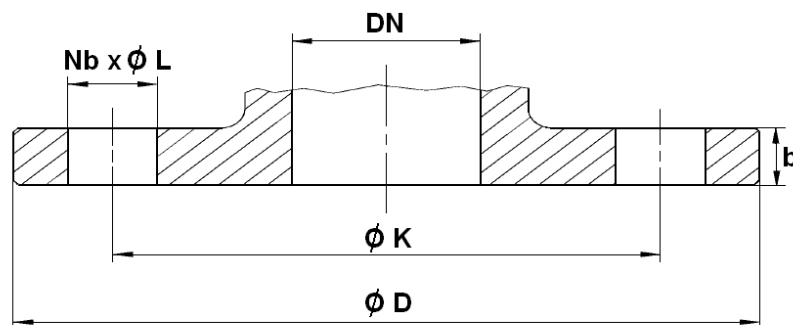
**RUBBER EXPANSION JOINT TEGUFLEX® P FP PURPLE FKM**

SIZE ( in mm ) :



DN	25/32	40	50	65	80	100	125	150	200	250	300
L	130	130	130	130	130	130	130	130	130	130	130
Ø D1	72	80	90	105	120	140	165	190	240	290	340
Ø D2	77	85	95	110	125	145	170	195	245	295	345
Weight (Kg)	2.8	3.3	3.7	4.8	5.3	6.2	8.2	11.2	16.8	21.6	30.1
Ref.			1567050	1567065	1567080	1567100	1567125	1567150	1567200	1567250	1567300

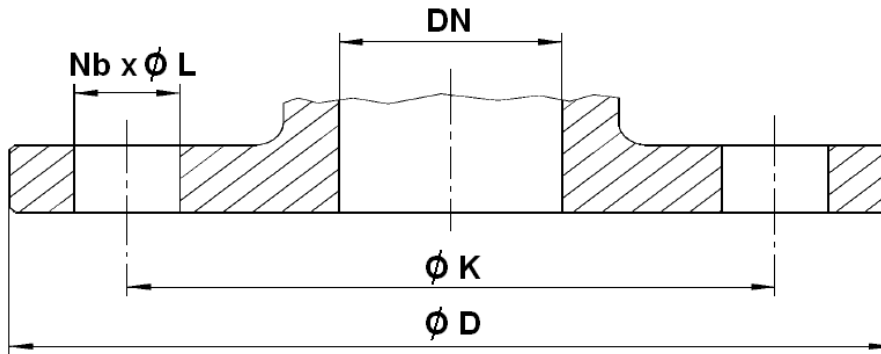
STANDARD FLANGES PN10 (PN10/16 UP TO DN150) SIZE ( in mm ) :



DN	25	32	40	50	65	80	100	125	150	200	250	300
Ø D	115	140	150	165	185	200	220	250	285	340	395	445
Ø K	85	100	110	125	145	160	180	210	240	295	350	400
Nb x Ø L	4x14	4 x 18	4 x 18	4 x 18	4 x 18	8 x 18	8 x 18	8 x 18	8 x 22	8 x 22	12 x 22	12 x 22
b	13.8	13.8	14	14.1	14.4	14.8	15.2	16	17.8	20.2	22.6	26.5

**RUBBER EXPANSION JOINT TEGUFLEX® P FP PURPLE FKM**

SIZE OF FLANGES ON REQUEST :



PN6 FLANGES ( in mm ) :

DN	25	32	40	50	65	80	100	125	150	200	250	300
Ø D	100	120	130	140	160	190	210	240	265	320	375	440
Ø K	75	90	100	110	130	150	170	200	225	280	335	395
Nb x Ø L	4 x 11	4 x 14	4 x 14	4 x 14	4 x 14	4 x 18	4 x 18	8 x 18	8 x 18	8 x 18	12 x 18	12 x 22

PN16 FLANGES ( in mm ) :

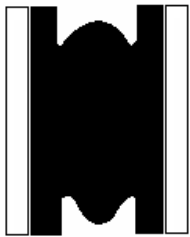
DN	200	250	300
Ø D	340	405	460
Ø K	295	355	410
Nb x Ø L	12 x 22	12 x 26	12 x 26

Class 150 PN20 FLANGES ( in mm ) :

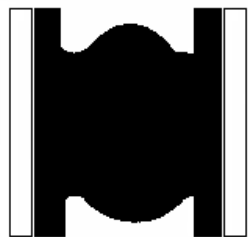
DN (mm)	25	32	40	50	65	80	100	125	150	200	250	300
NPS (")	1"	1"1/4	1"1/2	2"	2"1/2	3"	4"	5"	6"	8"	10"	12"
Ø D	108	117	127	152	178	190	229	254	279	343	406	483
Ø K	79.4	88.9	98.4	120.6	139.7	152.4	190.5	215.9	241.3	298.4	361.9	431.8
Nb x Ø L	4 x 15.9	4 x 15.9	4 x 15.9	4 x 19	4 x 19	4 x 19	8 x 19	8 x 22.2	8 x 22.2	8 x 22.2	12 x 25.4	

**RUBBER EXPANSION JOINT TEGUFLEX® P FP PURPLE FKM**

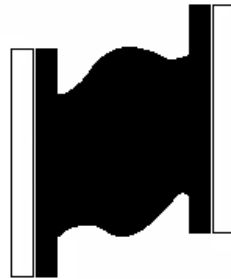
MOVEMENTS (in mm) :



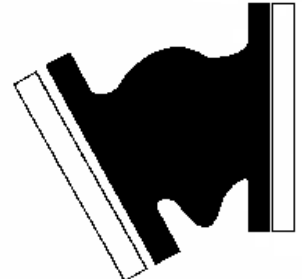
**Compansion**



**Expansion**



**Lateral**

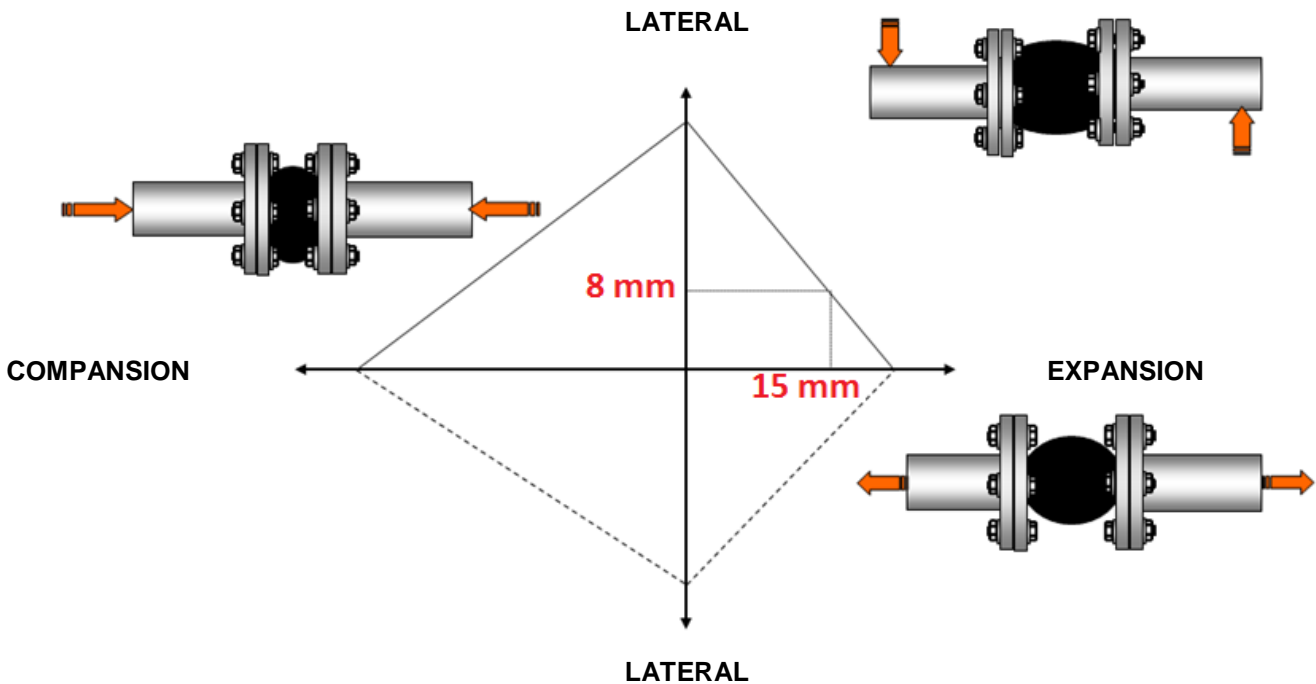


**Angular**

DN	25-50	65	80	100	125	150	200	250	300
Compansion	30	30	30	30	30	30	30	30	30
Expansion	20	20	20	20	20	20	20	20	20
Lateral	20	20	20	20	20	20	20	20	20
Angular	35°	30°	30°	25°	25°	15°	15°	10°	10°

Maximum movements can't be applied simultaneously.

For example, with an expansion of 15mm, the maximum lateral movement will be 8 mm :



**RUBBER EXPANSION JOINT TEGUFLEX® P FP PURPLE FKM**

**MARKING :**



**STANDARDS :**

- Manufacturer certified ISO 9001 : 2015 and ISO 14001 : 2015
- DIRECTIVE 2014/68/EU: For liquids and gas of Group 1
  - DN32-50 : Risk category I, CE 0056 marking
  - DN65-300 : Risk category II, CE 0056 marking
- Flanges according to EN 1092-1 PN10/16

**ADVICE :** Our opinion and our advice are not guaranteed and SFERACO shall not be liable for the consequences of damages.  
The customer must check the right choice of the products with the real service conditions.