

RUBBER EXPANSION JOINT EPDM WITH SWIVELING FLANGES PN16

EPDM expansion joint with swiveling flanges to absorb vibrations and noises on water distribution, heating and HVAC networks.

Not advisable for hydrocarbons, greasy product and abrasive products.

EPDM single sphere body and floating flanges in electro galvanized carbon steel.

For linear and angular compansion.



Size : DN200 to DN300

Connection : Flanges PN16

Min Temperature : -10°C

Max Temperature : +100°C

Max Pressure : 16 Bars

Specifications : Absorb vibrations and noises

Linear and angular compansion

Single sphere EPDM tube

Swiveling flanges

Materials : Electro galvanized steel flanges

RUBBER EXPANSION JOINT EPDM WITH SWIVELING FLANGES PN16

SPECIFICATIONS :

- Absorb vibration, noises and expansion
- Linear and angular compansion
- Tube EPDM (EPDM marking)
- Electro galvanized steel flanges PN16
- Expansion limiter (option)

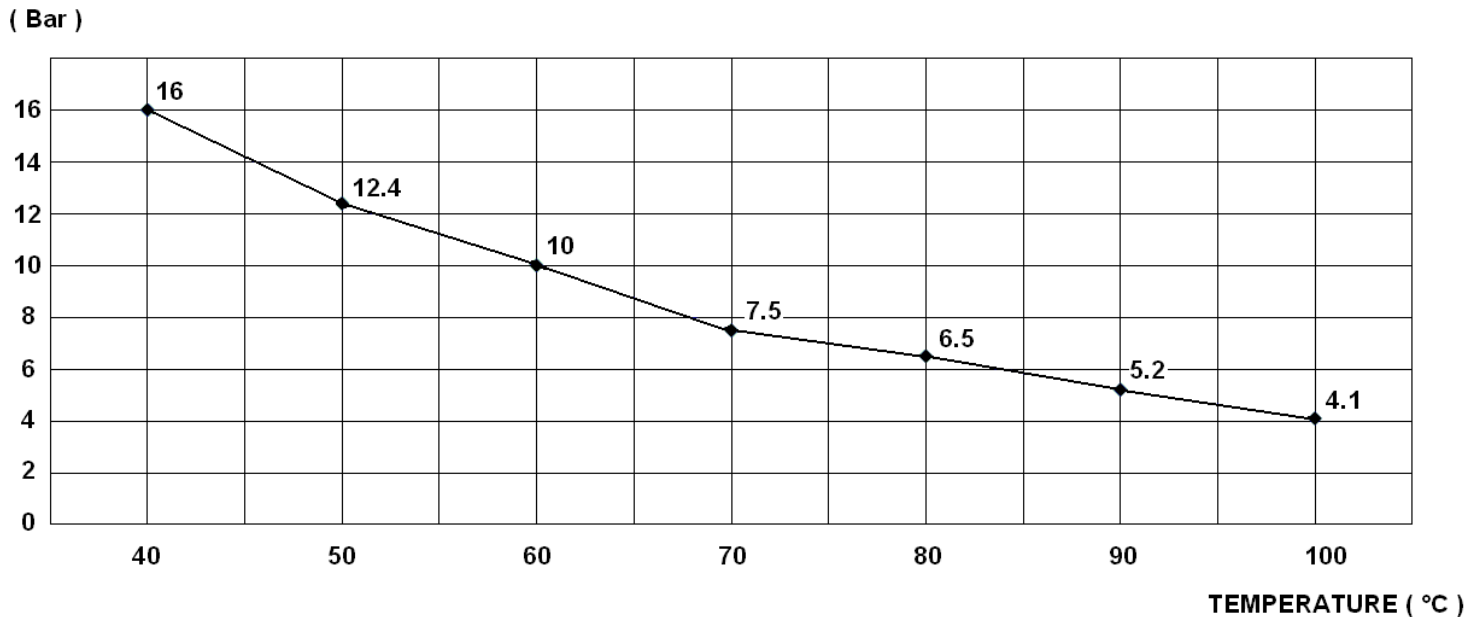
Marking example (EPDM) :



USE :

- Water distribution, heating and HVAC
- Min and max Temperature Ts : - 10°C to + 100°C
- Max Pressure Ps : 16 bars (see graph)

PRESSURE / TEMPERATURE GRAPH (STEAM EXCLUDED) :

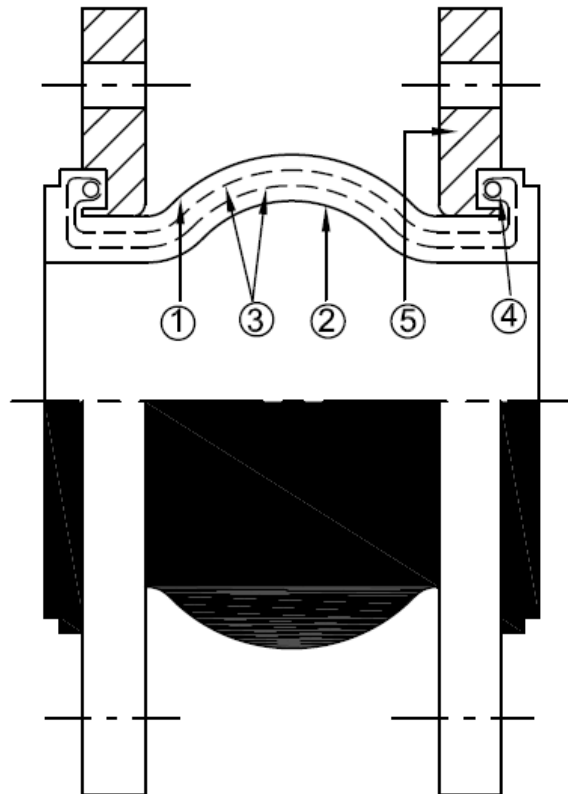


RANGE :

- EPDM expansion joint with floating steel flanges PN16 from DN200 to DN300 **Ref. 1502**
- Expansion limiter (with 2 studs and 4 plates included) from DN200 to DN300 **Ref. 98603**

RUBBER EXPANSION JOINT EPDM WITH SWIVELING FLANGES PN16

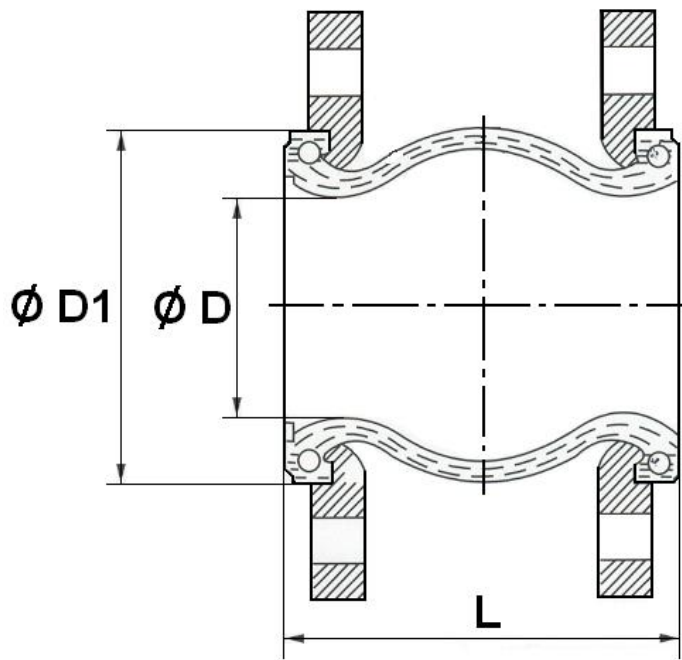
MATERIALS :



Item	Designation	Materials
1	Cover	EPDM
2	Inner tube	EPDM
3	Reinforcement	Nylon cord
4	Brace	Hard steel
5	Flanges	Electro galvanized steel

RUBBER EXPANSION JOINT EPDM WITH SWIVELING FLANGES PN16

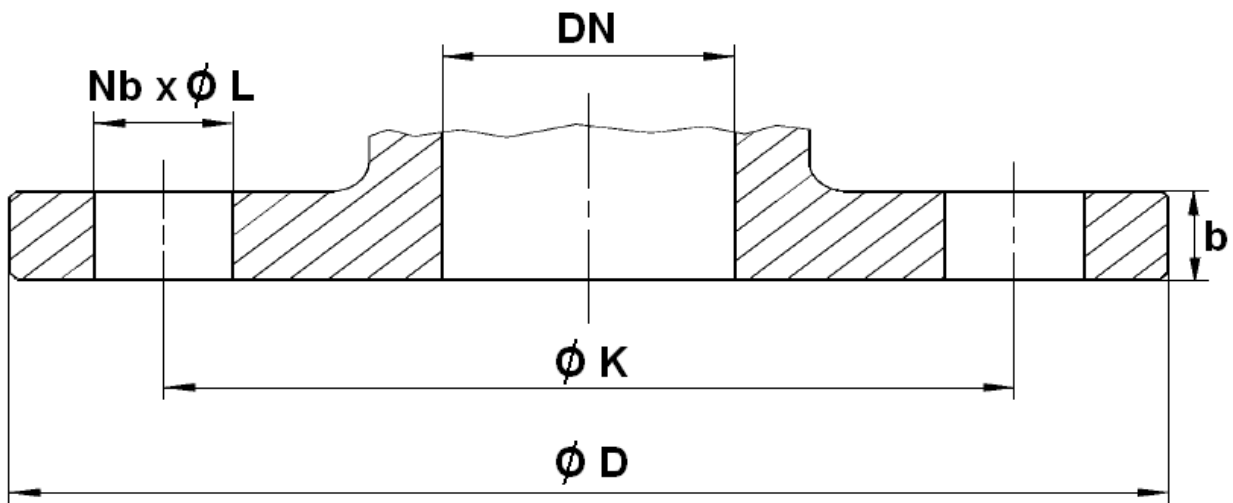
SIZE (in mm) :



DN	200	250	300
L	205	240	260
Ø D	199	241	294
Ø D1	261	320	370
Weight (Kg)	17.7	25.6	30.8
Ref.	1502200	1502250	1502300

RUBBER EXPANSION JOINT EPDM WITH SWIVELING FLANGES PN16

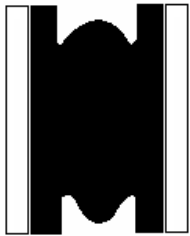
FLANGES SIZE PN16 (in mm) :



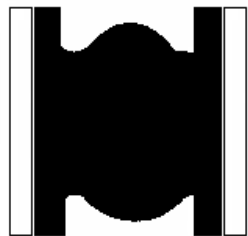
DN	200	250	300
Ø D	340	405	460
Ø K	295	355	410
Nb x Ø L	12 x 23	12 x 28	12 x 28
b	22	24	24

RUBBER EXPANSION JOINT EPDM WITH SWIVELING FLANGES PN16

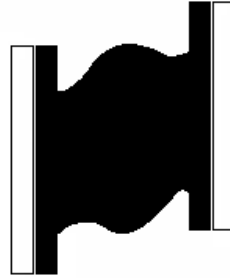
MOVEMENTS (in mm) :



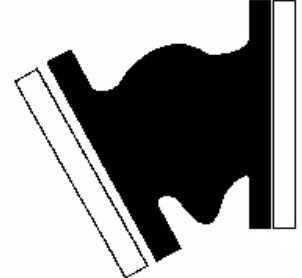
Compansion



Expansion



Lateral



Angular

DN	200	250	300
Compansion	20	20	20
Expansion	14	14	14
Lateral	18	18	18
Angular	15°	15°	15°

Maximum movements can't be applied together

STANDARDS :

- Manufacturer certified ISO 9001 : 2015
- DIRECTIVE 2014/68/EU : Products excluded from directive (Article 4, § 3)
- Flanges according to EN 1092-1 PN16
- Approval certificate **Marine LLOYD'S REGISTER**

ADVICE : Our opinion and our advice are not guaranteed and SFERACO shall not be liable for the consequences of damages. The customer must check the right choice of the products with the real service conditions.