

# BUILDPRO SYSTEM

BuildPro offers a complete line of heavy-duty and ultra-duty tables for work holding in metal fabrication and woodworking. Our tried and tested system is the fastest method of locating and clamping your workpieces. The system consists of a working surface machined with equally spaced boreholes, allowing you to slip-fit clamps, stops, spacers, and other work holding tools into place.



## ALPHA TABLES

The new heavy-duty table line from BuildPro; it features 5 sides fitted with 16mm diameter boreholes for more versatility and expandability than before. Maintaining industry-leading requirements for flatness, squareness, and dimensional accuracy. Also available in ultra-duty 28 mm configurations.



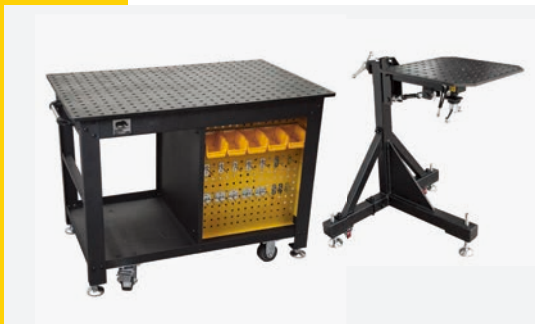
## MAX TABLES

Our single-sided heavy-duty tables feature boreholes on the top surface and feature patented self-locating and reversible table top plates. Available in standard and nitrided tabletop finishes.



## MAX SLOTTED TABLES

Our slotted, single-sided heavy-duty tables feature open slots between the top plates. Providing extra versatility, allowing you to slide clamping tools or pliers using T-Slot adapters or Sliding Channel on the open slot edges as clamping surfaces. Available in standard and nitrided tabletop finishes.



## MOBILE WORKING STATIONS

Get the best of both worlds; the functionality and quality of BuildPro tables with the mobility of a cart. The Rhino Cart and Manipulator feature a replaceable heavy-duty tabletop that accepts all 16mm diameter TM fixturing components - giving you the ultimate, compact mobile working stations.

# Contents

<p><b>TABLES &amp; ACCESSORIES</b> 04 - 27</p>							
<p><b>MOBILE WORKING STATIONS</b> 28 - 32</p>							
<p><b>PLATFORMS</b> 33 - 35</p>							
<p><b>CLAMPS &amp; PLIERS</b> 36 - 43</p>							
<p><b>FASTENERS</b> 44 - 46</p>							
<p><b>STOPS</b> 47 - 48</p>							
<p><b>CLAMPING SQUARES</b> 49 - 51</p>							
<p><b>RESTS</b> 52 - 56</p>							
<p><b>SPECIAL TOOLS</b> 57 - 62</p>							
<p><b>FIXTURING KITS</b> 63 - 71</p>							

*\* All product, product specifications and data are subject to change without notice to improve reliability, function, design or otherwise. Please check online for updated information and details.*



# THE NEW FIVE-SIDED ALPHA WELDING TABLE

Introducing the Alpha series, the toughest, flattest, hardest working welding tables from BuildPro by Strong HandTools.

The Alpha family consists of our 5 sided table systems, combined with our patent-exclusive, reversible, and replaceable top and side plates.

Precision ground steel plates, with CNC machined  $\varnothing 16$  mm holes in a 50 x 50 mm grid pattern for locating, positioning and mounting BuildPro clamps & accessories.

Plates can be reconfigured to expand the width of the table for larger projects.

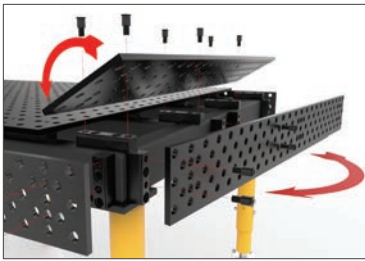
Heavy Duty Leveling Feet ensure proper leveling of the table on uneven surfaces.



**Increase quality, consistency, and productivity while reducing scrap and setup times for repeating jobs.**

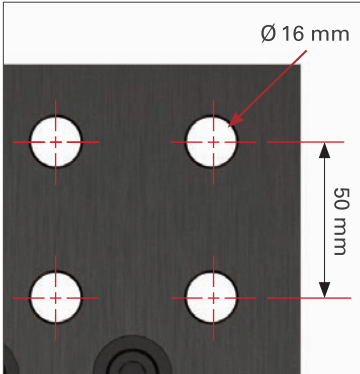


## ALPHA TABLE OVERVIEW



### REVERSIBLE Self-Locating Top & Side Plates

All BuildPro welding tables feature precision machined self-locating steel plates and reversible top plates; this enables each table plate to be removed and flipped 180 degrees to expose a new working surface if the top side has been damaged or worn down.



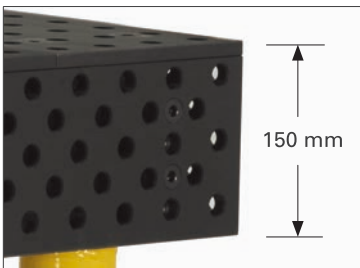
### Alpha Table Accuracy

**Table flatness:** 0.3 mm / 1,000 mm

**Hole spacing:** 50 mm

**Hole diameter:** 16 mm

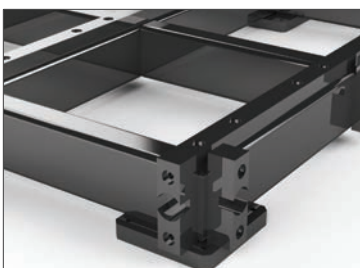
**Plate thickness:** 12 mm



### Alpha Tabletop Side Height

The new five-sided tables feature a 138 mm side plate combined with the top plate to create a 150 mm height.

Alpha table side plates feature an extended 5 borehole pattern for added precision and adjust-ability.



### Plate Mounting Detail for Side Plates

Side Plates also use self locating bushing system.



### Nitrided (Heat-Treated) Tabletop

All top and side plates of alpha table are constructed from heat-treated steel, hardened to 58-62 HRC(top) / 50-55 HRC(side), and finished with a nitrite coating with a case depth of 0.01 - 0.02 mm.

**TABLE SURFACE DIMENSION: 3,000 X 1,500 MM**

*\*All load capacities below are calculated based on static load.*



Part No.	TM603015FP-A1	TM603015FP-A2
Finish	Nitrided	Nitrided
Comes with Leg	6x TML3130	6x TML2530
Table Surface Height (mm)	917	767
Capacity / Leg (kg)	680	680
Gross Weight (kg)	841	834



Part No.	TM603015FP-B1
Finish	Nitrided
Comes with Leg	6x TMLR30
Table Surface Height (mm)	715 ~ 969
Capacity / Leg (kg)	680
Gross Weight (kg)	846

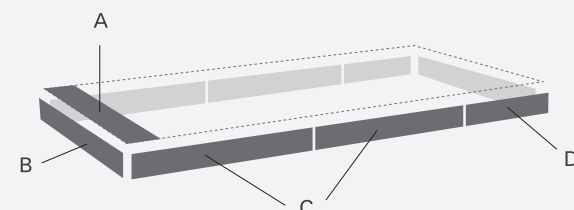


Part No.	TM603015FP-C1
Finish	Nitrided
Comes with Leg	6x TMLC30
Table Surface Height (mm)	835 ~ 1,090
Capacity / Leg (kg)	300
Gross Weight (kg)	861



**ALPHA, 3,000 X 1,500 X 150 MM TABLETOP**

Part No.	Finish	Dimension (mm)	Gross Weight (kg)
TM603015FP	Nitrided	3,000 x 1,500	802



**INDIVIDUAL PLATES**

Ref.	Part No.	Qty	Dimension (mm)	Weight (kg)	Thickness (mm)
A	TM603015FP-01	15	1,500 x 200	25.9	12
B	TM603015FP-04	2	1,488 x 138	16.7	
C	TM602412FP-03	4	1,200 x 138	13.5	
D	TM603015FP-06	2	588 x 138	7.2	

# ALPHA TABLES

## TABLE SURFACE DIMENSION: 2,400 X 1,200 MM

*\*All load capacities below are calculated based on static load.*



<b>Part No.</b>	TM602412FP-A1	TM602412FP-A2
<b>Finish</b>	Nitrided	Nitrided
<b>Comes with Leg</b>	6x TML3130	6x TML2530
<b>Table Surface Height (mm)</b>	917	767
<b>Capacity / Leg (kg)</b>	680	680
<b>Gross Weight (kg)</b>	621	614



<b>Part No.</b>	TM602412FP-B1
<b>Finish</b>	Nitrided
<b>Comes with Leg</b>	6x TMLR30
<b>Table Surface Height (mm)</b>	715 ~ 969
<b>Capacity / Leg (kg)</b>	680
<b>Gross Weight (kg)</b>	626

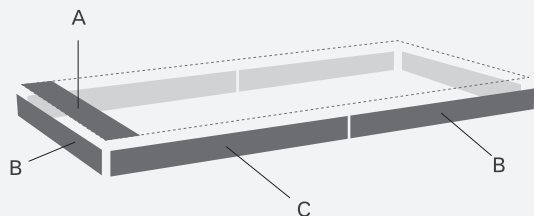


<b>Part No.</b>	TM602412FP-C1
<b>Finish</b>	Nitrided
<b>Comes with Leg</b>	6x TMLC30
<b>Table Surface Height (mm)</b>	835 ~ 1,090
<b>Capacity / Leg (kg)</b>	300
<b>Gross Weight (kg)</b>	641



### ALPHA, 2,400 X 1,200 X 150 MM TABLETOP

Part No.	Finish	Dimension (mm)	Gross Weight (kg)
TM602412FP	Nitrided	2,400 x 1,200	582



### INDIVIDUAL PLATES

Ref.	Part No.	Qty	Dimension (mm)	Weight (kg)	Thickness (mm)
A	TM602412FP-01	12	1,200 x 200	20.7	12
B	TM602412FP-04	4	1,188 x 138	13.4	
C	TM602412FP-03	2	1,200 x 138	13.5	

**TABLE SURFACE DIMENSION: 2,000 X 1,000 MM**

*\*All load capacities below are calculated based on static load.*



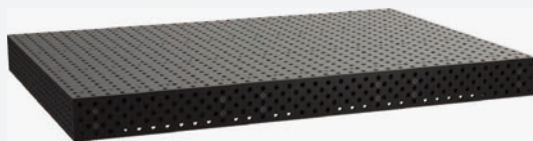
<b>Part No.</b>	TM602010FP-A1	TM602010FP-A2
<b>Finish</b>	Nitrided	Nitrided
<b>Comes with Leg</b>	6x TML3130	6x TML2530
<b>Table Surface Height (mm)</b>	917	767
<b>Capacity / Leg (kg)</b>	680	680
<b>Gross Weight (kg)</b>	448	441



<b>Part No.</b>	TM602010FP-B1
<b>Finish</b>	Nitrided
<b>Comes with Leg</b>	6x TMLR30
<b>Table Surface Height (mm)</b>	715 ~ 969
<b>Capacity / Leg (kg)</b>	680
<b>Gross Weight (kg)</b>	453

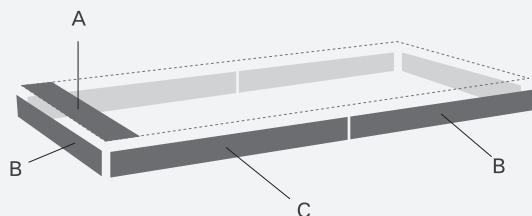


<b>Part No.</b>	TM602010FP-C1
<b>Finish</b>	Nitrided
<b>Comes with Leg</b>	6x TMLC30
<b>Table Surface Height (mm)</b>	835 ~ 1,090
<b>Capacity / Leg (kg)</b>	300
<b>Gross Weight (kg)</b>	468



**ALPHA, 2,000 X 1,000 X 150 MM TABLETOP**

Part No.	Finish	Dimension (mm)	Gross Weight (kg)
TM602010FP	Nitrided	2,000 x 1,000	409



**INDIVIDUAL PLATES**

Ref.	Part No.	Qty	Dimension (mm)	Weight (kg)	Thickness (mm)
A	TM602010FP-01	10	1,000 x 200	17.5	12
B	TM602010FP-04	4	988 x 138	11.4	
C	TM602010FP-03	2	1,000 x 138	11.5	

## ALPHA TABLES

### TABLE SURFACE DIMENSION: 1,500 X 1,000 MM

*\*All load capacities below are calculated based on static load.*



Part No.	TM601510FP-A1	TM601510FP-A2
Finish	Nitrided	Nitrided
Comes with Leg	6x TML3130	6x TML2530
Table Surface Height (mm)	917	767
Capacity / Leg (kg)	680	680
Gross Weight (kg)	327	322



Part No.	TM601510FP-B1
Finish	Nitrided
Comes with Leg	6x TMLR30
Table Surface Height (mm)	715 ~ 969
Capacity / Leg (kg)	680
Gross Weight (kg)	330

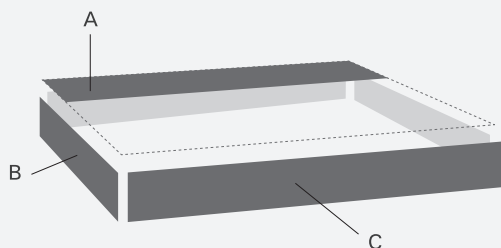


Part No.	TM601510FP-C1
Finish	Nitrided
Comes with Leg	6x TMLC30
Table Surface Height (mm)	835 ~ 1,090
Capacity / Leg (kg)	300
Gross Weight (kg)	340



### ALPHA, 1,500 X 1,000 X 150 MM TABLETOP

Part No.	Finish	Dimension (mm)	Gross Weight (kg)
TM601510FP	Nitrided	1,500 x 1,000	301



### INDIVIDUAL PLATES

Ref.	Part No.	Qty	Dimension (mm)	Weight (kg)	Thickness (mm)
A	TM603015FP-01	5	1,500 x 200	25.9	12
B	TM602010FP-04	2	988 x 138	11.4	
C	TM603015FP-04	2	1,488 x 138	16.7	



**TABLE SURFACE DIMENSION: 1,200 X 1,200 MM**

*\*All load capacities below are calculated based on static load.*



Part No.	TM601212FP-A1	TM601212FP-A2
Finish	Nitrided	Nitrided
Comes with Leg	4x TML3130	4x TML2530
Table Surface Height (mm)	917	767
Capacity / Leg (kg)	680	680
Gross Weight (kg)	314	309



Part No.	TM601212FP-B1
Finish	Nitrided
Comes with Leg	4x TMLR30
Table Surface Height (mm)	715 ~ 969
Capacity / Leg (kg)	680
Gross Weight (kg)	317

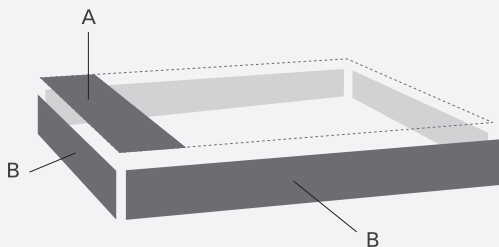


Part No.	TM601212FP-C1
Finish	Nitrided
Comes with Leg	4x TMLC30
Table Surface Height (mm)	835 ~ 1,090
Capacity / Leg (kg)	300
Gross Weight (kg)	327



**ALPHA, 1,200 X 1,200 X 150 MM TABLETOP**

Part No.	Finish	Dimension (mm)	Gross Weight (kg)
TM601212FP	Nitrided	1,200 x 1,200	288



**INDIVIDUAL PLATES**

Ref.	Part No.	Qty	Dimension (mm)	Weight (kg)	Thickness (mm)
A	TM602412FP-01	6	1,200 x 200	20.7	12
B	TM602412FP-04	4	1,188 x 138	13.4	

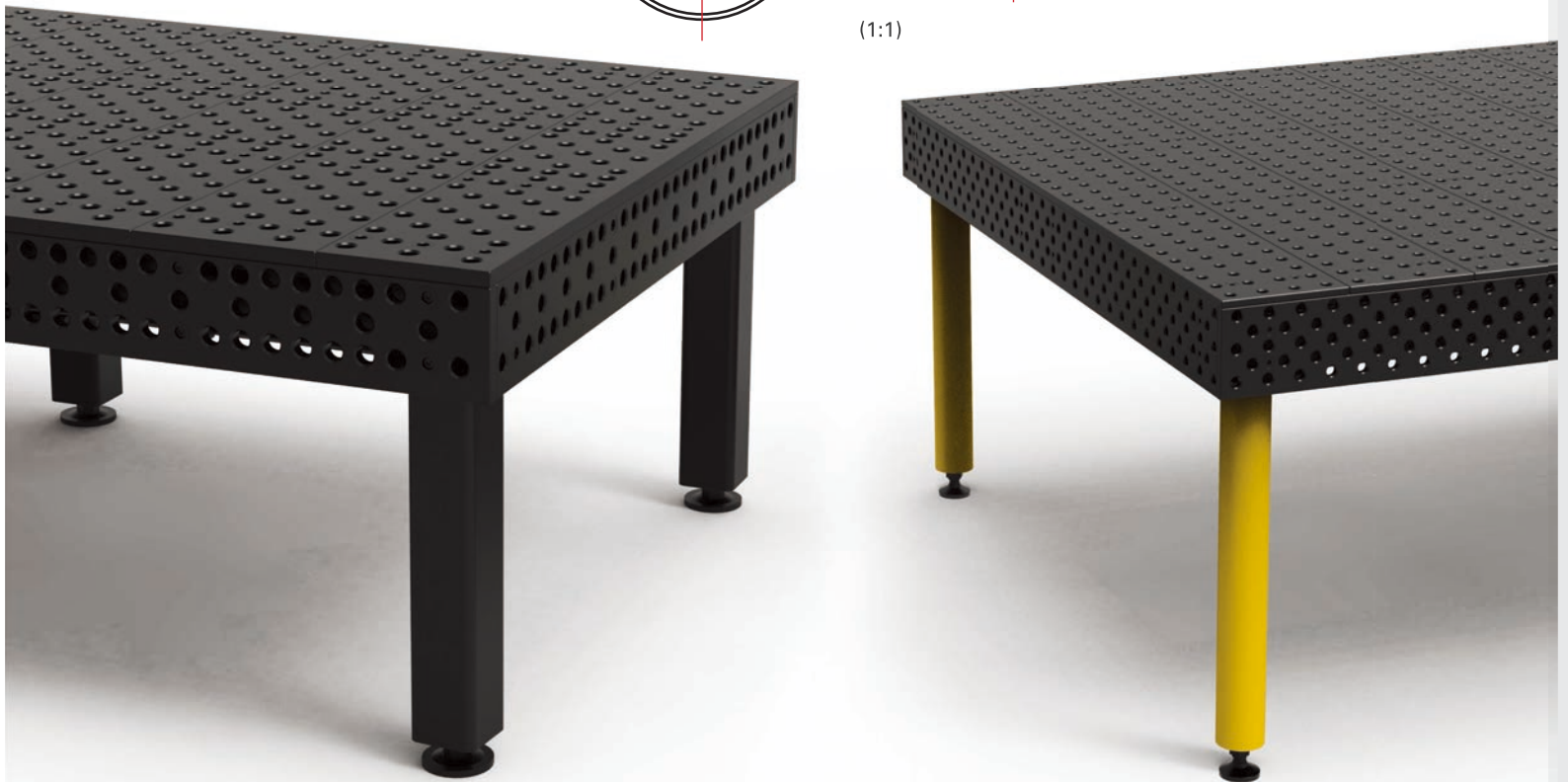
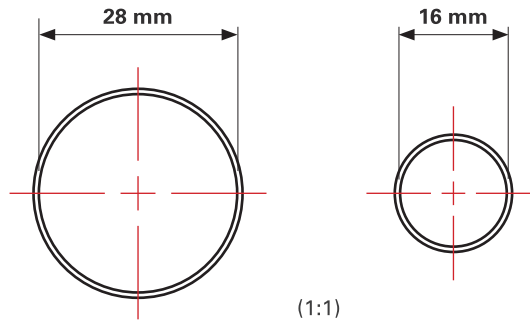


Alpha tables available in metric spacing and 28 mm, and 16 mm diameter boreholes, respectively. All top plates are constructed from heat-treated steel, hardened to 58-62 HRC, and finished with a nitrite coating with a case depth of 0.01 - 0.02 mm.

### ALPHA 28 TABLES

### ALPHA 16 TABLES

	ALPHA 28 TABLES	ALPHA 16 TABLES
Table Hole Dia.	28 mm	16 mm
Hole Spacing	100 mm	50 mm
Table Flatness	0.3 mm / 1,000 mm	0.3 mm / 1,000 mm
Plate Thickness	25 mm	12 mm
Tabletop Side Height	200 mm	150 mm



Check our website: [buildprotables.com](http://buildprotables.com) for more details about Alpha 28 table system.