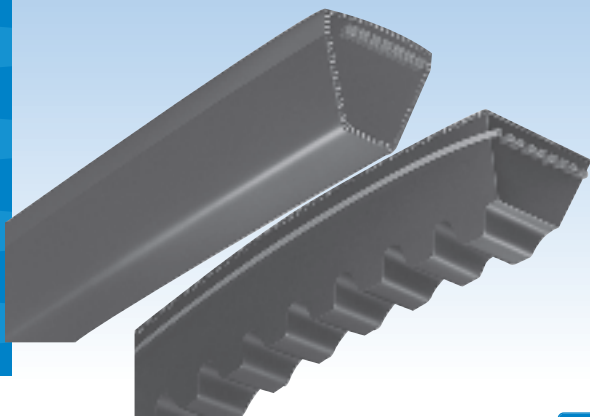


Maxstar Wedge Supreme® Maxstar Wedge® V-Belt

With its unique narrow width, the V-Belt has high power transmission capability.

- Energy-saving and compact design application.
- Possible to operate with maximum speed of 40m/sec.
- Excellent heat resistance and antistatic property.
- Our “set-free” system for multiple belt usage is very effective to reduce dimensional differences of each belt.



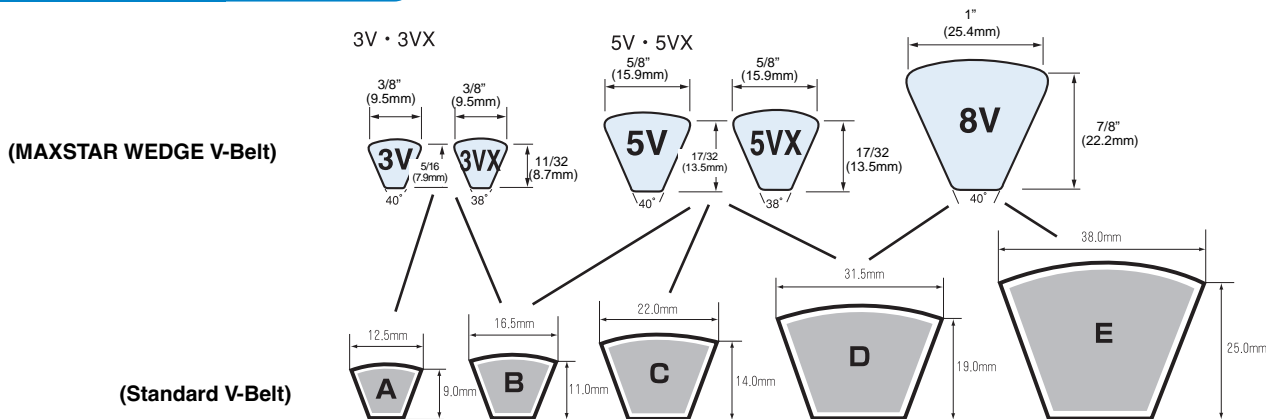
Product Code

5V-2000

Belt Type

Belt Code = Effective Belt Length (inch) x10


Comparison with Standard Belt



(Note) Above are nominal values.

Standard Belt Sizes

3V · 3VX		5V · 5VX		8V	
Product Code	Belt Length (Inch)	Product Code	Belt Length (Inch)	Product Code	Belt Length (Inch)
3V 250	25.0	5V 500	50.0	•8V 1000	100.0
3V 265	26.5	5V 530	53.0	•8V 1060	106.0
3V 280	28.0	5V 560	56.0	•8V 1120	112.0
3V 300	30.0	5V 600	60.0	•8V 1180	118.0
3V 315	31.5	5V 630	63.0	•8V 1250	125.0
3V 335	33.5	5V 670	67.0	•8V 1320	132.0
3V 355	35.5	5V 710	71.0	•8V 1400	140.0
3V 375	37.5	5V 750	75.0	•8V 1500	150.0
3V 400	40.0	5V 800	80.0	•8V 1600	160.0
3V 425	42.5	5V 850	85.0	•8V 1700	170.0
•3V 450	45.0	•5V 900	90.0	•8V 1800	180.0
•3V 475	47.5	•5V 950	95.0	•8V 1900	190.0
•3V 500	50.0	•5V 1000	100.0	•8V 2000	200.0
•3V 530	53.0	•5V 1060	106.0	•8V 2120	212.0
•3V 560	56.0	•5V 1120	112.0	•8V 2240	224.0
•3V 600	60.0	•5V 1180	118.0	•8V 2360	236.0
•3V 630	63.0	•5V 1250	125.0	•8V 2500	250.0
•3V 670	67.0	•5V 1320	132.0	•8V 2600	260.0
•3V 710	71.0	•5V 1400	140.0	•8V 2800	280.0
•3V 750	75.0	•5V 1500	150.0	•8V 3000	300.0
•3V 800	80.0	•5V 1600	160.0	•8V 3150	315.0
•3V 850	85.0	•5V 1700	170.0	•8V 3350	335.0
•3V 900	90.0	•5V 1800	180.0	•8V 3550	355.0
•3V 950	95.0	•5V 1900	190.0	•8V 3750	375.0
•3V 1000	100.0	•5V 2000	200.0	•8V 4000	400.0
•3V 1060	106.0	•5V 2120	212.0	•8V 4250	425.0
•3V 1120	112.0	•5V 2240	224.0	•8V 4500	450.0
•3V 1180	118.0	•5V 2360	236.0	•8V 4750	475.0
•3V 1250	125.0	•5V 2500	250.0	•8V 5000	500.0
•3V 1320	132.0	•5V 2650	265.0	•8V 5600	560.0
•3V 1400	140.0	•5V 2800	280.0	•8V 6000	600.0
		•5V 3000	300.0		
		•5V 3150	315.0		
		•5V 3350	335.0		
		•5V 3550	355.0		

• signifies availability of Multi type MAXSTAR WEDGE Belt. Standard number of ribs is 2, 3, 4, 5 for all types (3V, 5V, 8V). We manufacture only standard sizes.
 : Corresponding sizes for Raw Edge cogged Type "MAXSTAR WEDGE SUPREME" 3VX and 5VX.