

PARTS LIST

Accessories

2023.05.23

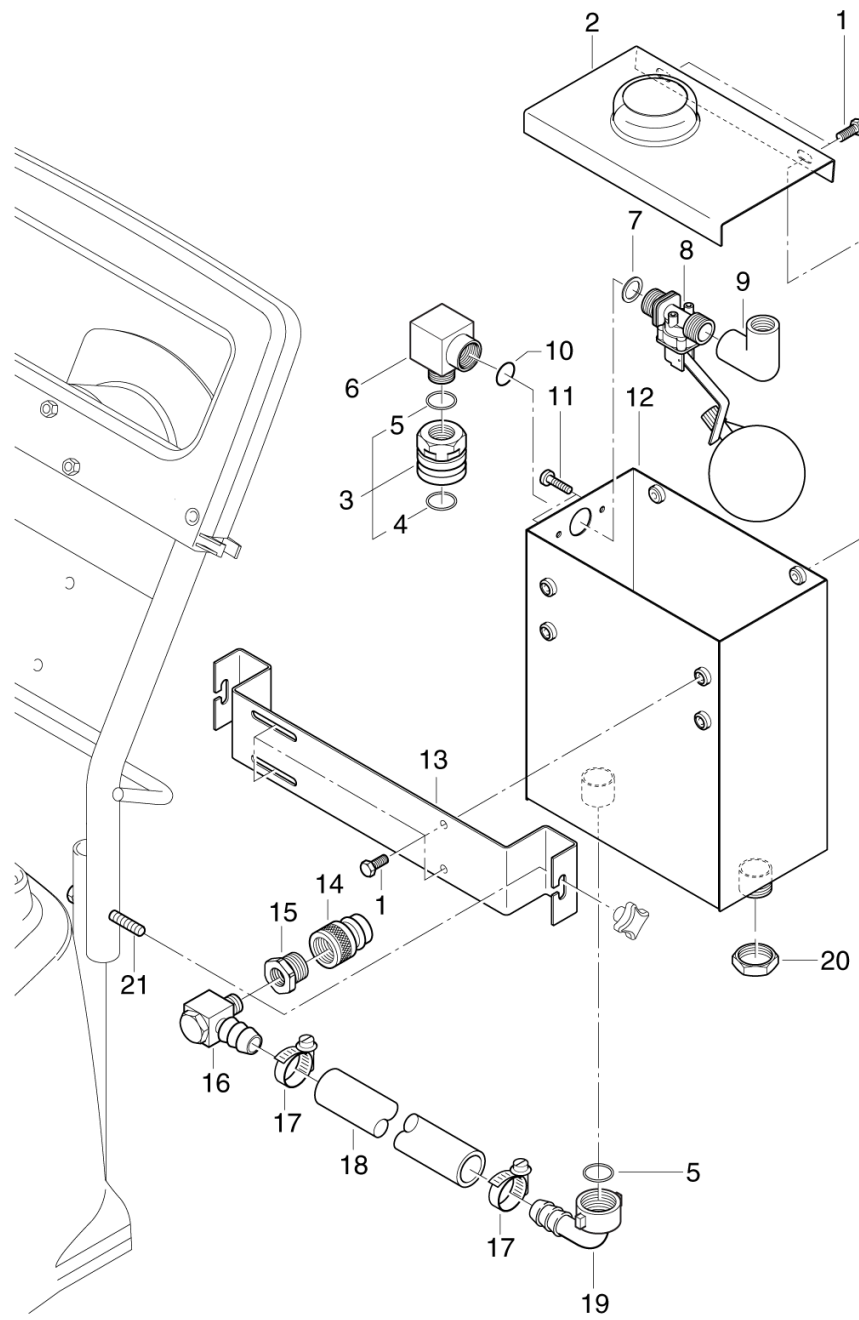
NILFISK

TABLE OF CONTENTS

106101612 - Water tank POSEIDON	1
6401113, 6101617 - Water tank	3
106403144 - WATER BRAKE TANK POSEIDON 5-6-7 from September 2012	5
7847 - Tank cleaner - TRK 25	7
7847 - Tank cleaner motor - TRK 25	9
22308 - Tank cleaner TRK 150 & 250	11
6400060 - Shaft washer model 1	14
UNTIL 19.09.96 - Shaft washer model 2	16
37871 - Ceilingboom Z and 37742 - Wallboom	18
309000209 - Ceilingboom W	20
6400382, 6400384, 6400387, 6401364, 6401365 - WSB lance	22
301112493 - WSB system	24
6400374 - WSB Container	26
6401094, 6401095 - Chemical trolley, injector & hose	28
6401094, 6401095 - Chemical trolley	30
106403162 - Detergent tank with safety cap	32
6162618 - Throttle control 03KB	34
6402022 - Throttle control, CONTRACTOR DIESEL	36
6401097 - Tire kit, CONTRACTOR	38
106403145 - Front wheel kit	40
6400139, 6400140 - White washing equipment	42
6401266, 6401268 - Drain cleaner	44
301002490, 301002491, 301002492 - Pipe cleaning with DN 4 equipment	46
6402018 - Water suction system	48
6400000 - Filter for Suction hose	50
6401279 - Burner override mode 40HA	52
106403166 - Low pump oil safety function for POSEIDON 5	54
Automatic start/stop A2V	56
Automatic start/stop 40H	58
Automatic s/s 40C, electric box	60
Automatic s/s 40C, labels & flow switch	62
Automatic start/stop A2K	64
Automatic start/stop 03V	66
Automatic start/stop 03K	68
Auto. start/stop, Flow switch A2V, 02V, 03V	70
Automatic start/stop 02V	72
6403491 - Flow booster, housing	74
6403492 - Flow booster, suction hose	76
Flow booster, spray handle	78
Flow booster, single spray lance	80
6400085 - Pressure compensator	82
LIQUID SPRAYER 5 P	84
7110005, 7110010 - LIQUID SPRAYER 5 S - 10 SP	86
7110020 - LIQUID SPRAYER 20 S	89

TABLE OF CONTENTS

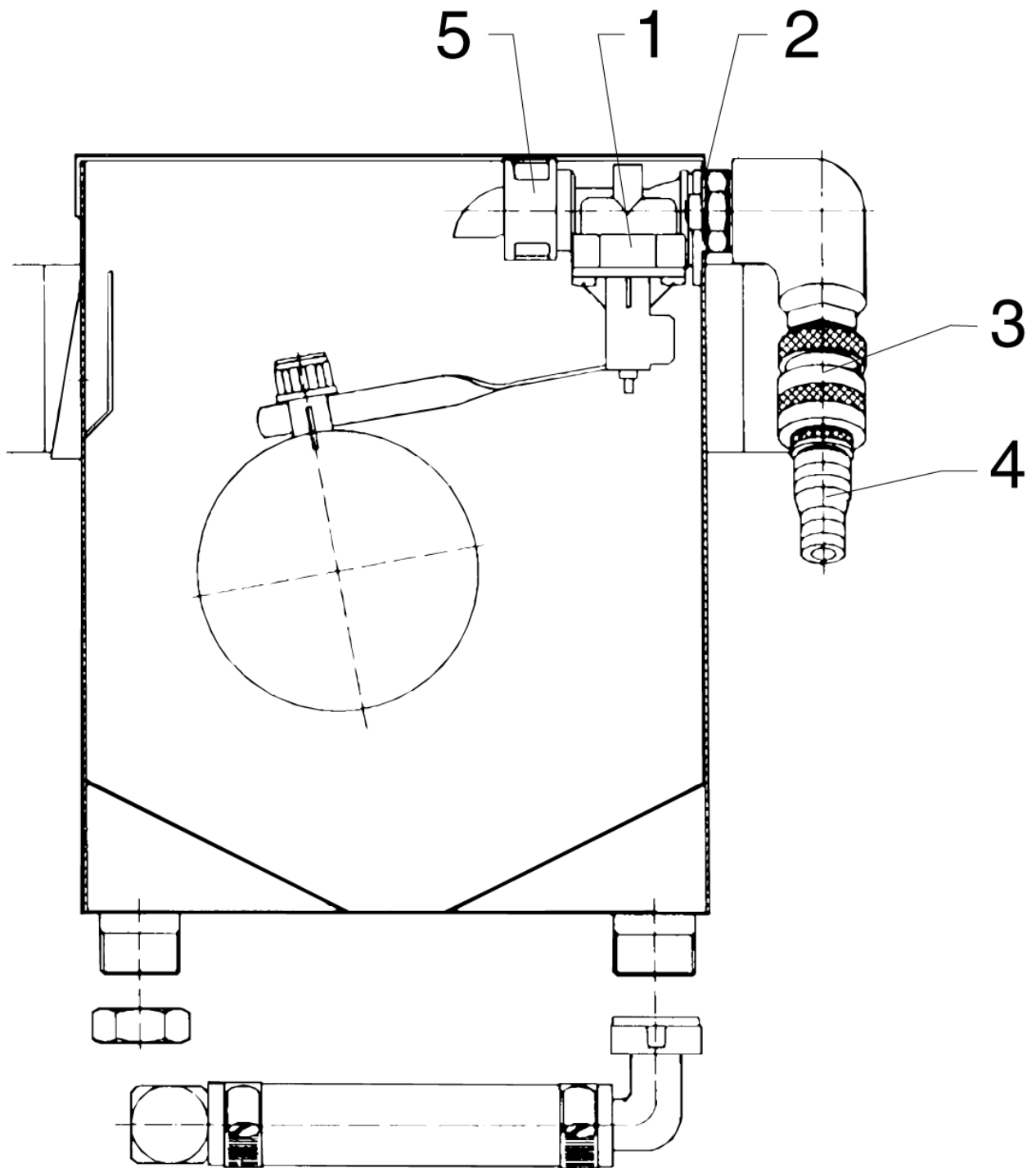
4810328 - LIQUID SPRAYER 5S/P, 10SP, 20S - Spray handle new.....	91
4810327 - LIQUID SPRAYER 5S/P, 10SP, 20S- Spray lance new.....	93
7110420 - LIQUID SPRAYER 5S - Spray handle with hose.....	95
7110403 - LIQUID SPRAYER 10SP, 20S - Spray handle with hose.....	97
25598 - LIQUID SPRAYER 8P.....	99
LIQUID SPRAYER VSP 108.....	101



Pos.	Artikelnummer	Hoeveelheid	Omschrijving	Notes
0-	106101612	1	Vlotterbak Poseidon 7	[1]
01	1803386	6	SCREW M6X12	
02	6100183	1	COVER FOR FLOAT CHAMBER	[2]
03	1602945	1	Toevoerkoppeling vrouwelijk	
04	3000320	1	O-Ring 20.0x3.0	
05	3001237	2	Pakking +24,5x16x3	
06	101609351	1	ELBOW	[2]
07	3001724	1	O-Ring 26x20x1 nitril	
08	1117035	1	Vlotterventiel	
09	1605971	1	Kunststof bocht	[3]
10	3000684	1	O-Ring 18.77x1.78	[2]
11	1802891	1	Fittingschroef M 4 x 10 0 3KR	
12	6100164	1	FLOAT CHAMBER	[2]
13	106100218	1	SUPPORT FOR WATER BREAK TANK	[2]
14	1602796	1	Snelkoppeling nippel	
15	1603069	1	Fitting	
16	6101752	1	NIPPEL 16MM 1/2 INCH	
17	8298	2	Slangklem 16-27	
18	106408242	1	HOSE 5/8INCH - 2 METERS	
19	1604644	1	HOSE SOCKET 15.5X3/4 INCH W/GASKET	[2]
20	1604636	1	NO LONGER AVAILABLE	
21	101801738	2	SCREW M6X60 STAINLESS STEEL	

Part Notes:

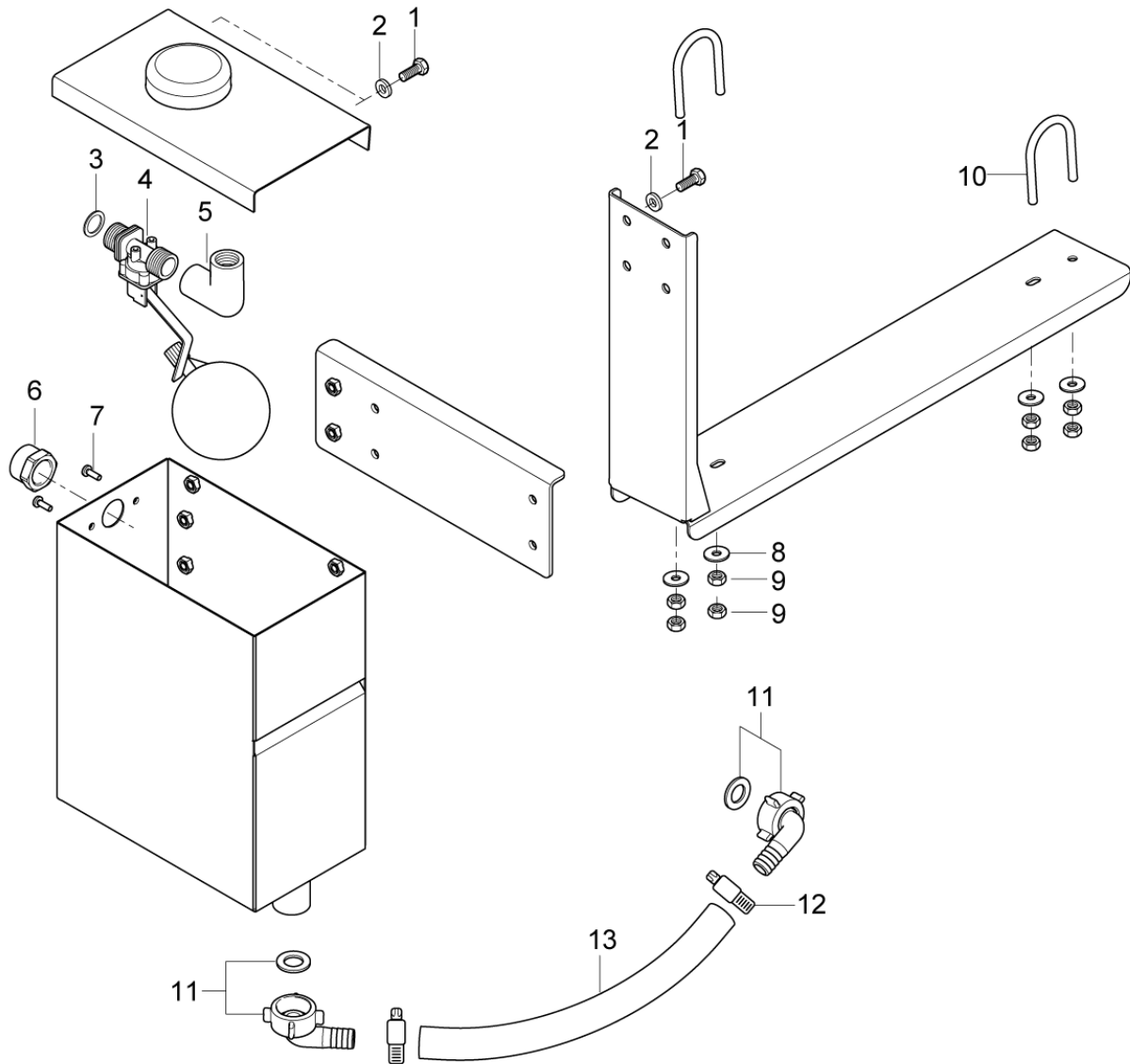
- [1] - Contact Prod. Mgmt.
- [2] - NO LONGER AVAILABLE
- [3] - STOCK COVERS GUARANTEE



Pos.	Artikelnummer	Hoeveelheid	Omschrijving	Notes
0-	6101617	1	Vlotterbak incl.aansluiti	[1]
0-	6401113	1	FLOAT CHAMBER 40C	[2]
01	1117035	1	Vlotterventiel	
02	3000684	1	O-Ring 18.77x1.78	[3]
03	1602200	1	Koppeling female	[4]
04	1600733	1	MALE COUPLING	[5]
05	1605971	1	Kunststof bocht	[5]

Part Notes:

- [1] - CONTACT PM
- [2] - 40C
- [3] - NO LONGER AVAILABLE
- [4] - CLOSED WHEN STOCK EMPTY
- [5] - STOCK COVERS GUARANTEE



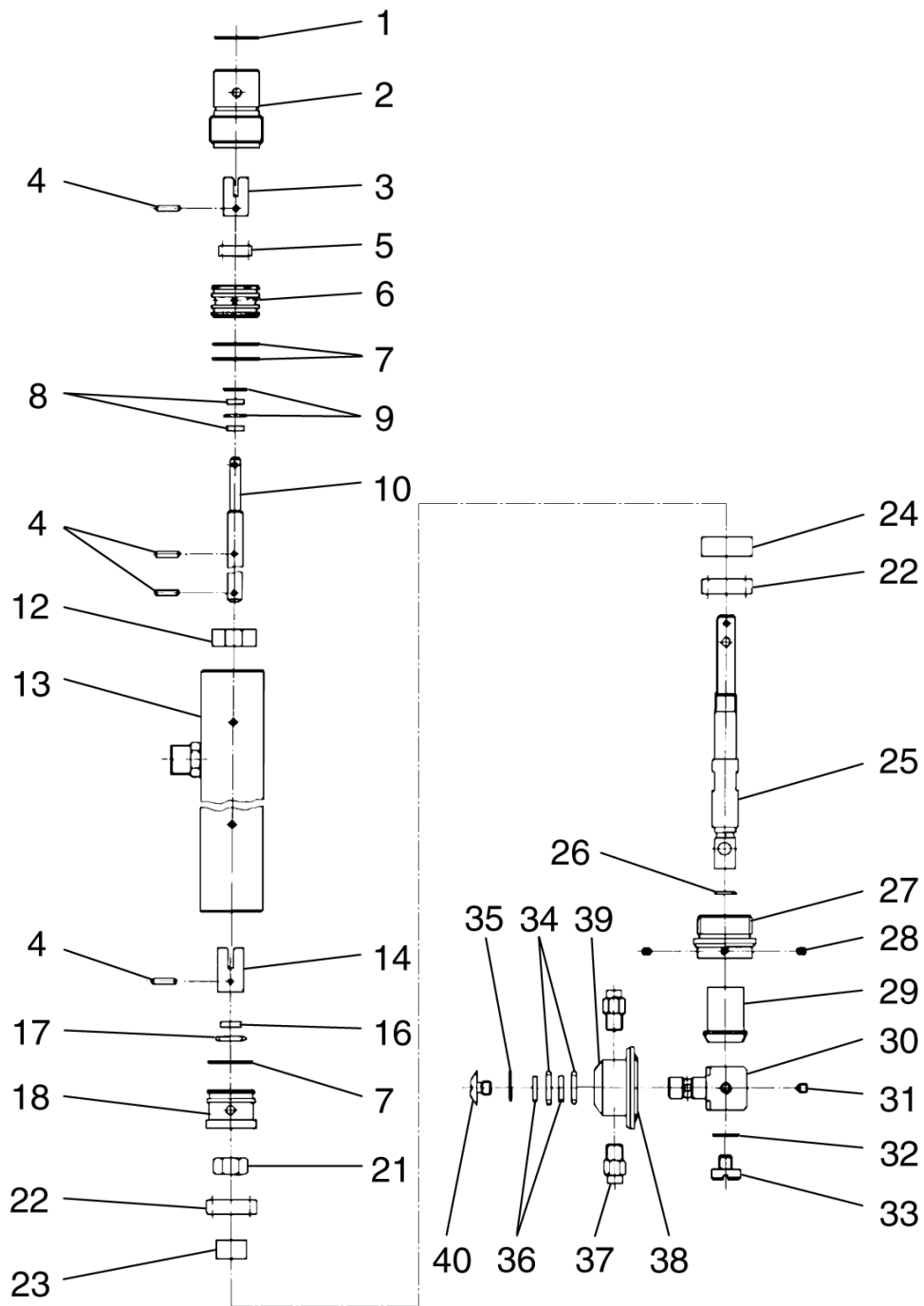
Resource notes:

POSITION 6 IS MONTED WITH LOCTITE 638

Pos.	Artikelnummer	Hoeveelheid	Omschrijving	Notes
00	106403144	1	Vlotterbak kit	[1]
01		8	Screw M6x16 ISO4017/DIN 933 A2	[2]
02		8	Washer M6 Ø6.5XØ12.5X1.6 A2 DIN 125	[3]
03	3001724	1	O-Ring 26x20x1 nitril	
04	1117035	1	Vlotterventiel	
05	1605971	1	Kunststof bocht	[4]
06	1603069	1	Fitting	[5]
07	1802891	2	Fittingschroef M 4 x 10 0 3KR	
08	1813807	4	Ring M6	
09	1801893	8	NUT M6 ISO 4032 A2-70	
10	107141708	2	SUPPORT FOR TUBE M6 SS	
11	107141709	1	Elleboog 90 graden slangnozzle	
12	107141707	2	Slangklem 20-32MM SS	
13	107141694	1	UNIVERSAL WATER/AIR HOSE	[6]

Part Notes:

- [1] - PRUNED-NO REPLACEMENT
- [2] - Screw M6x16 ISO4017/DIN 933 A2
- [3] - Washer M6 Ø6.5XØ12.5X1.6 A2 DIN 125
- [4] - STOCK COVERS GUARANTEE
- [5] - MONTED WITH LOCTITE 638
- [6] - 0,8m

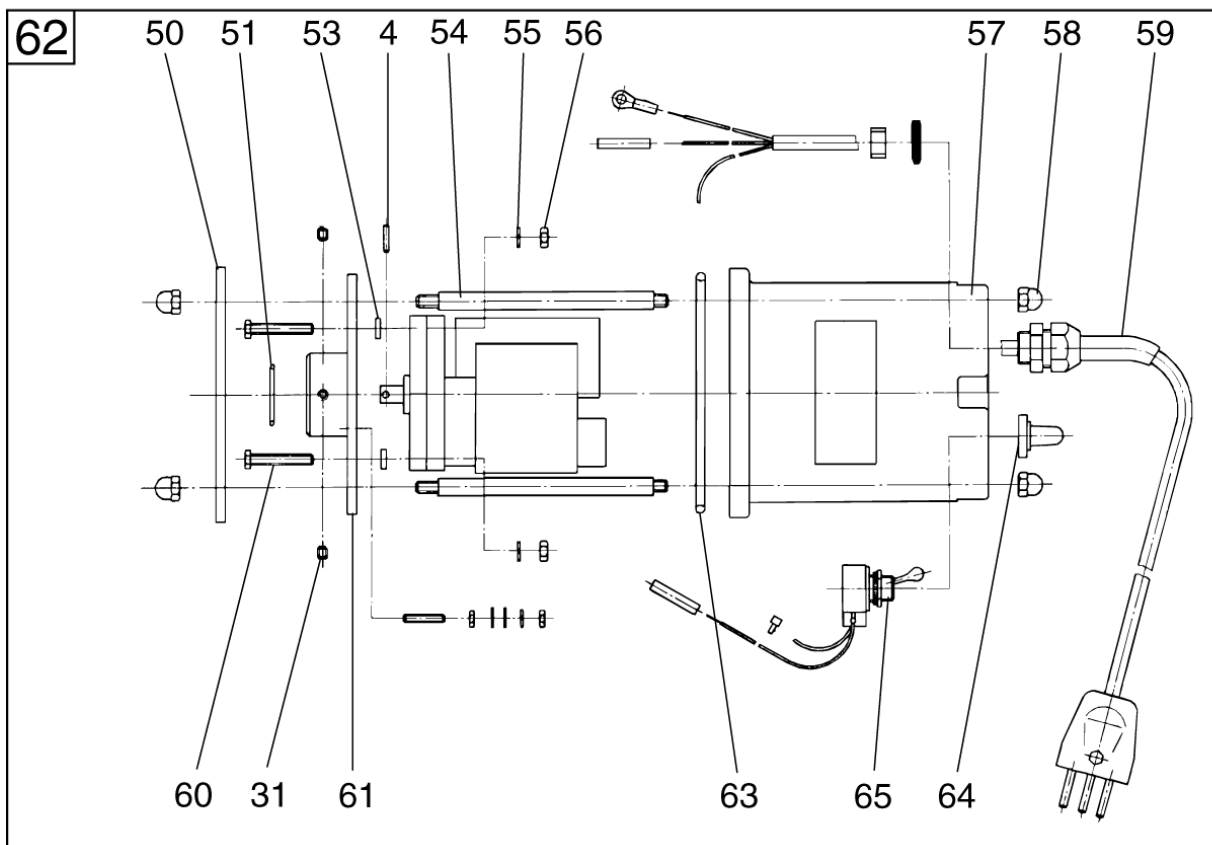


Pos.	Artikelnummer	Hoeveelheid	Omschrijving	Notes
0-	6400066	1	ROTARY NOZZLE HEAD	[1]
0-	6400065	1	TANK CLEANER	[2]
0-	7847	1	Tankreinigingskop TRK 25	[3]
01	9921022	1	O-RING. REF. 23	[4]
02	9921019	1	CONNECTING PIECE	[5]
03	9921018	1	COUPLING	[5]
04	9921029	4	Pin	
05	9921017	1	BALL BEARING ROBOT POS 19	
06	9921016	1	Gasket head	[5]
07	9921034	3	O-Ring pos.34	
08	9921039	2	Geleidering	[4]
09	9921036	2	O-Ring pos. 36	
10	9921015	1	as tankreiniger	[6]
12	9921049	1	Ashouder	[4]
13	9921014	1	CONNECTING PIPE	[6]
14	9921012	1	COUPLING	[5]
16	9921038	1	Geleidering pos.38	
17	9921035	1	O-Ring pos 35	
18	9921011	1	pakkinghouder	[5]
21	9921010	1	NUT	[5]
22	9921007	2	BALL BEARING ROBOT POS. 1 0	[4]
23	9921009	1	SPACER RING	
24	9921008	1	SPACER RING	[5]
25	9921006	1	as nr.9 v. vatenreiniger	
26	9921033	1	O-Ring nr.30 v. vatenreiniger	[4]
27	9921005	1	Onderbrekingstuk	[4]
28	9921028	2	Schroef	[5]
29	20935	1	Tandwiel	
30	9921003	1	Huis Vatenreiniger	[5]
31	9921027	2	Schroef	
32	9921031	1	O-Ring pos.31 v vatenreiniger	[4]
33	9921004	1	Schroef	[6]
34	9921030	2	O-ring pos.30 v vatenreiniger	[4]
35	9921032	1	O-Ring pos.32 v vatenreiniger	[4]
36	9921037	2	Geleidering pos.37 v vatenr. nr.	[4]
37	9921002	2	Nozzle 15 pos.04 v vatenreiniger	[5]
38	9921001	1	beschermings ring	[4]
39	20931	1	Nozzlekop TRK25-D55	
40	9921000	1	Schroef	[6]

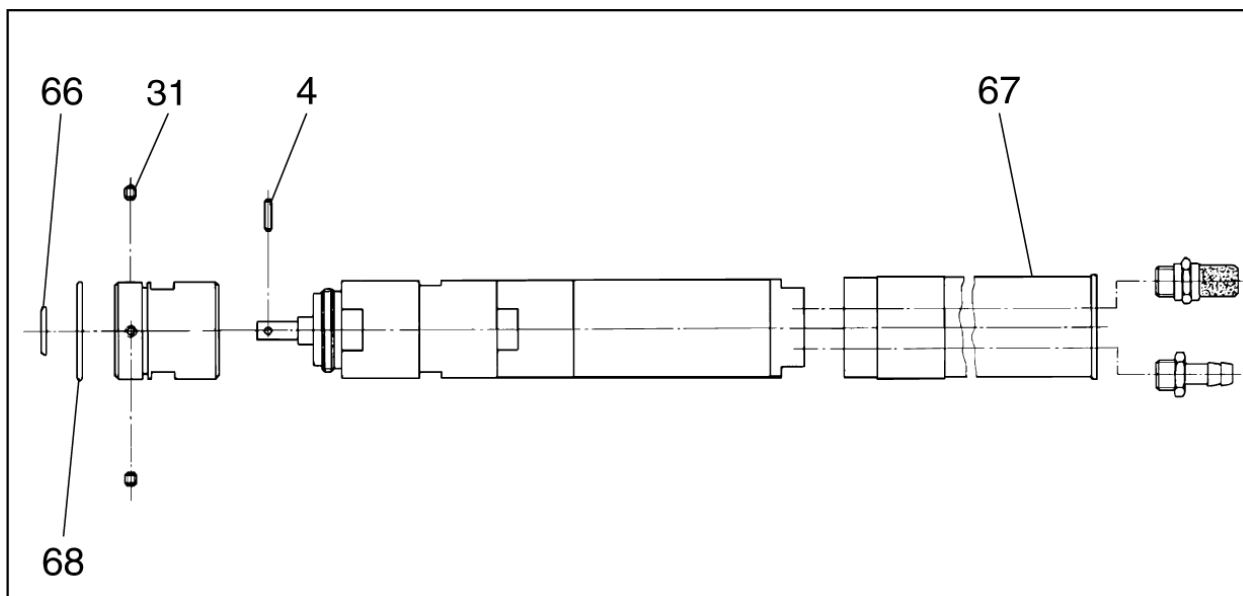
Part Notes:

- [1] - 220V
SEE SMI HPW 07/2008
- [2] - 110V
SEE SMI HPW 07/2008
- [3] - PRUNED - NO REPLACEMENT
- [4] - STOCK COVERS GUARANTEE
- [5] - GUARANTEE DATE EXPIRED
- [6] - NO LONGER AVAILABLE

El. motor



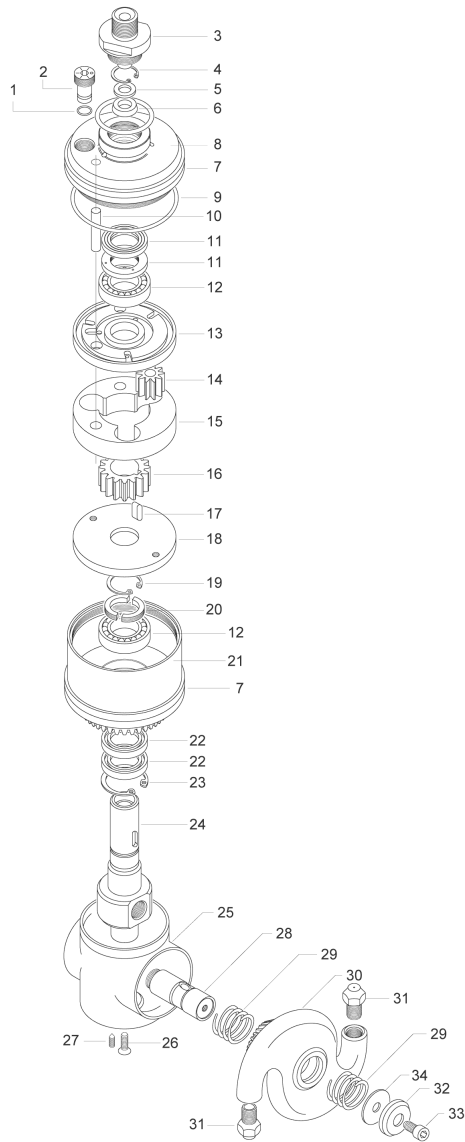
Air motor



Pos.	Artikelnummer	Hoeveelheid	Omschrijving	Notes
0-	9921013	1	Pakkingset	
04	9921029	4	Pin	
31	9921027	2	Schreof	
50	9921024	1	MOTOR GASKET. REF. 26.03	
51	9921021	1	O-RING	
53	9921042	1	SPACER	
54	9921023	1	STAY BOLT. REF. 24	
55	9921043	1	SPRING RING	
56	9921041	1	HEX. NUT	
57	9921025	1	motor cover	
58	9921044	2	CAP NUT	
59	9921045	2	Kabel Pakking	
60	9921040	1	HEX. SCREW	
61	9921020	1	MOTOR COLLAR	
62	9921053	2	Motor 24V	
62	101010002	2	ELEC. DRIVE ASS. 230V 56W 50HZ 11RPM	
63	9921026	1	O-RING. REF. 26.02	
64	9921047	1	RUBBER CAP	[1]
65	9921048	1	SWITCH	[1]
66	9921050	1	SEALING RING	
67	9921051	1	PROTECTION	
68	9921052	1	O-RING	
	7847	1	Tankreinigingskop TRK 25	[2]

Part Notes:

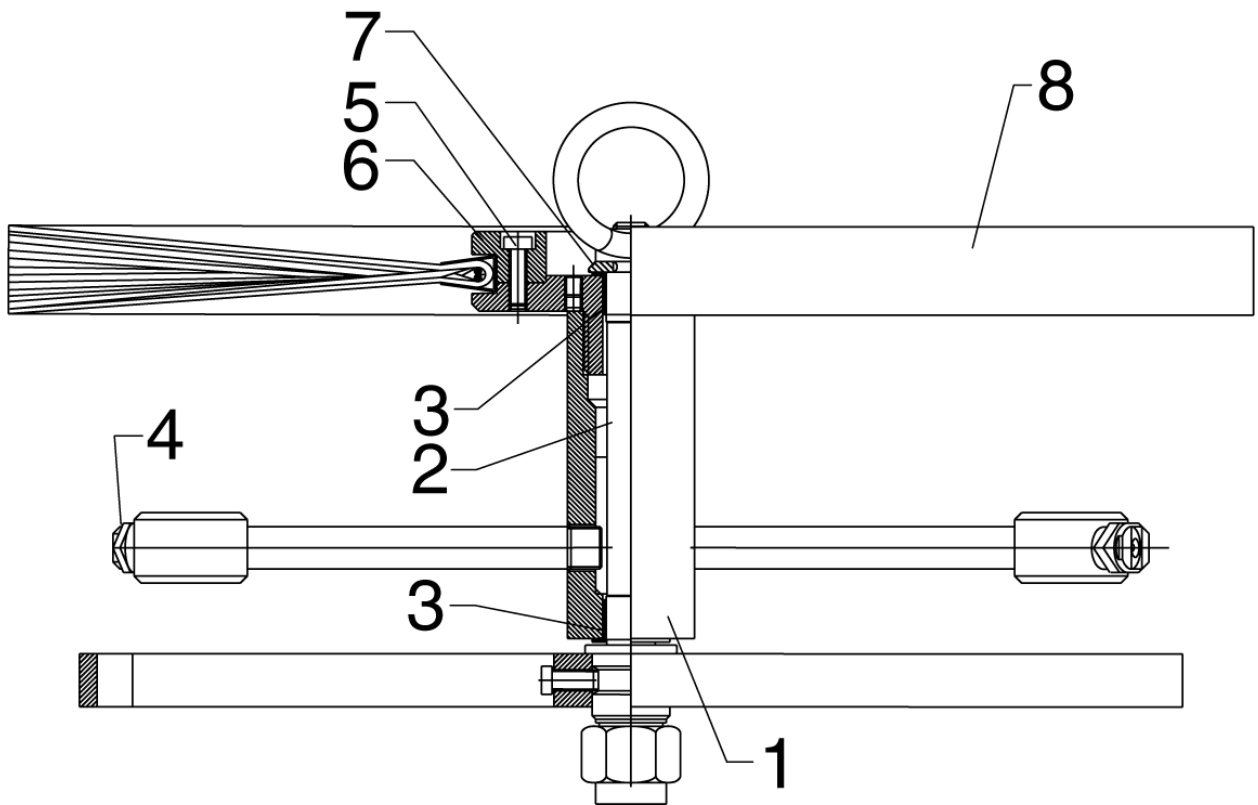
- [1] - GUARANTEE DATE EXPIRED
 [2] - PRUNED - NO REPLACEMENT



Pos.	Artikelnummer	Hoeveelheid	Omschrijving	Notes
0	22308	1	Tankreinigings nozzle TRK 150	[1]
0-	31000311	1	TOOL FOR PART NO 18	[2]
0-	31000313	1	TOOL FOR PART NO 8-9-10-11	[2]
0-	31000317	1	TOOL FOR PART NO 28 + STOP PIN	[2]
0-	31000323	1	36FIXED WRENCH FOR PART NO 3	[2]
0-	31000307	1	COMPLETE TOOLS FOR TRK 250	[2]
0-	31000319	1	TOOL FOR PART NO 25	[2]
0-	31000315	1	TOOL FOR THE ROTATING RUNNING	[2]
0-	31000321	1	PINCERS FOR PART NO 23 + 4	[2]
0-	31000325	1	4 ALLEN WRENCH FOR PART NO 26	[2]
0-	31000309	1	TOOL FOR PART NO 22	[2]
0-	31000308	1	TOOL FOR PART NO 21	[2]
0-	31000327	1	FLAT PINCERS FOR PART NO 29	[2]
0-	31000316	1	TOOL FOR PART NO 6	[2]
0-	31000328	1	ALLEN WRENCH 5MM FOR PART NO 33	[3]
0-	31000314	1	EXTENSION FOR TOOL FOR PART 8	[2]
00	22343	1	LUBE OIL 100ML FOR TRK	[4]
1	7424	1	O-Ring 8,73X1,78	
2	22310	1	REGULATOR	[5]
3	22311	1	PIPE CONNECTION	[5]
4	22312	1	CIRCLIP FOR BORES	[5]
5	22313	1	SHB 12 X2.6 D20 ZN	[5]
6	22314	1	GASKET	[5]
7	22315	2	PROTECTION RING	[5]
8	22316	1	UPPER HOUSING	[5]
9	22317	1	O-RING 87.5X3.55 DIN 3771 NBR70	[5]
10	22318	1	PIN	[5]
11	22319	2	GASKET	[5]
12	22320	2	Kogellager 6005	[5]
13	22321	1	DISTRIBUTOR DISK- TRK 150	[6]
14	22322	1	PLANETRAY WHEEL - TRK 150	[6]
15	22323	1	HOUSING PLANETARY GEAR -	[6]
16	22324	1	GEAR WHEEL - SUN GEAR. TRK	[5]
17	22325	1	DRIVING CAM	[5]
18	22326	1	LOWER DISC	[5]
19	22327	1	CIRCLIP	[5]
20	22328	1	CLAMPING RING	[5]
21	22329	1	LOWER HOUSING	[5]
22	22330	2	GASKET	[5]
23	22331	1	Ring 40 x 1,75	[5]
24	22332	1	MAIN SHAFT VERTICALLY -	[6]
25	22333	1	COVERING	[5]
26	22334	1	SCREW FOR TRK	[5]
27	22335	1	GRUB SCREW	[5]
28	22336	1	AUX. AXLE HORIZONTAL FOR R	[5]
29	22337	2	SPIRAL GASKET	[5]
30	22338	1	ROTOR 2 NOZZLES TRK150	[5]
31	22339	2	Nozzle 00065 1/4 inch	
32	22340	1	WASHER 6.5X8 D36	[5]
33	22341	1	BOLT FOR TRK150	[5]
34	31000266	1	SLIDING DISC	[5]
0-	31000310	1	TOOL FOR PART NO 8-9-10-11	[2]
0-	31000312	1	STOP PINS KIT FOR TRK 250	[2]
0-	31000318	1	STOP PIN FOR TRK 250	[2]
0-	31000320	1	TOOL FOR PART NO 29	[2]
0-	31000322	1	PINCERS FOR PART NO 19	[2]
0-	31000324	1	6 ALLEN WRENCH FOR PART NO 2	[2]
0-	31000326	1	2.5 ALLEN WRENCH FOR PART NO 27	[2]

Part Notes:

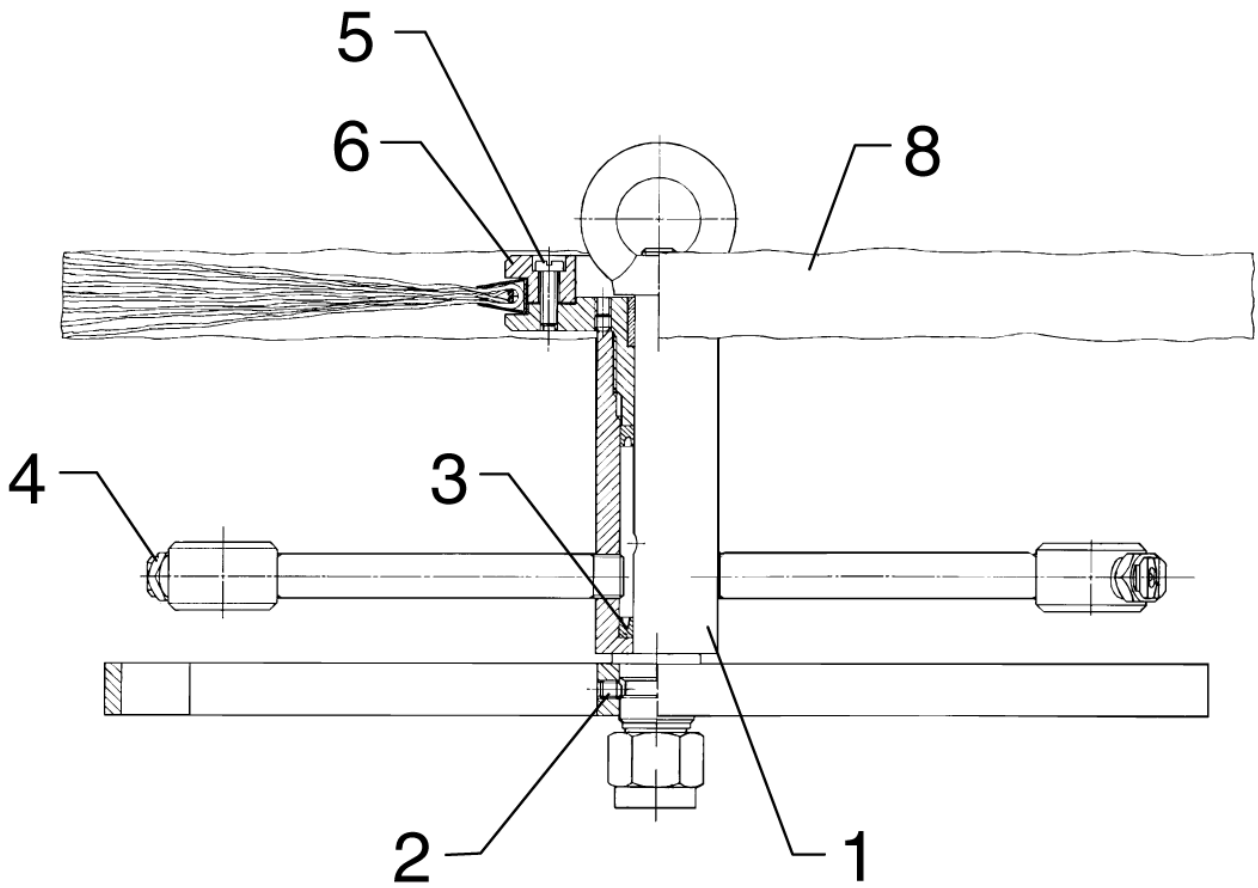
- [1] - PRUNED – NO REPLACEMENT
- [2] - NOT SHOWN
GUARANTEE DATE EXPIRED
- [3] - NOT SHOWN
BUY LOCALLY
- [4] - for shaft
GUARANTEE DATE EXPIRED
- [5] - GUARANTEE DATE EXPIRED
- [6] - NOT LONGER AVAILABLE



Pos.	Artikelnummer	Hoeveelheid	Omschrijving	Notes
0-	6400060	1	SHAFTWASHER W/TURBO NOZZLE	[1]
1	6401946	1	HOUSING	[2]
2	6401947	1	AXLE	[3]
3	1814599	2	BEARING	[3]
4	2800589	2	Nozzle 15065	
5	1814602	4	Schroef M5X16 SS	[4]
6	6401488	1	RETAINING RING	[3]
7	6401951	1	WASHER	[3]
8	6400514	1	ROTARY BRUSH W. ANTICORR.RING	[3]

Part Notes:

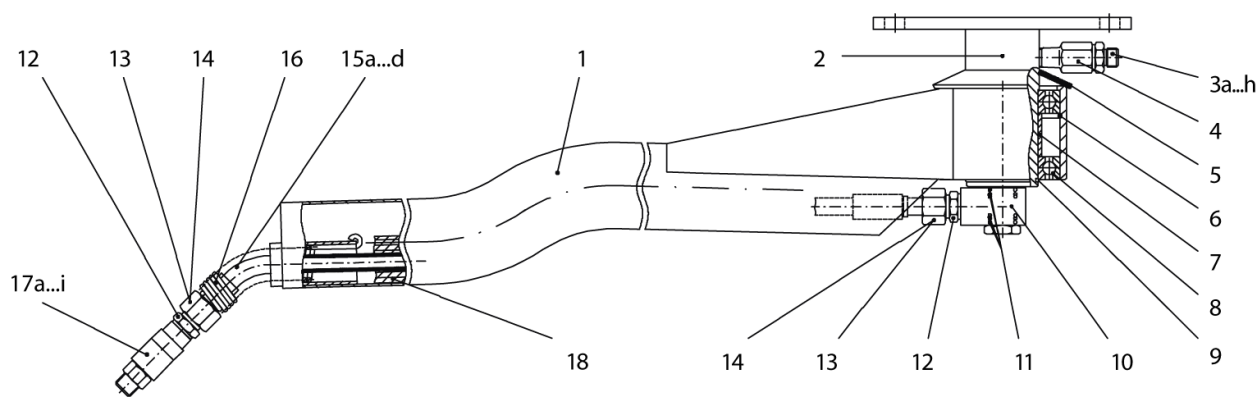
- [1] - FROM 20.09.96
NOT LONGER AVAILABLE
- [2] - CLOSED WHEN STOCK EMPTY
- [3] - GUARANTEE DATE EXPIRED
- [4] - NO LONGER AVAILABLE



Pos.	Artikelnummer	Hoeveelheid	Omschrijving	Notes
0-		1	UNTIL 19.09.96	[1]
1	6401483	1	HOUSING	
2	6401484	1	AXLE	[2]
3	3001914	2	Manchet	[3]
4	2800589	2	Nozzle 15065	
5	1802792	4	CYLINDER SCREW M5X16 ISO 1207 ZN	[3]
6	6401488	1	RETAINING RING	[3]
8	6400514	1	ROTARY BRUSH W. ANTICORR.RING	[3]

Part Notes:

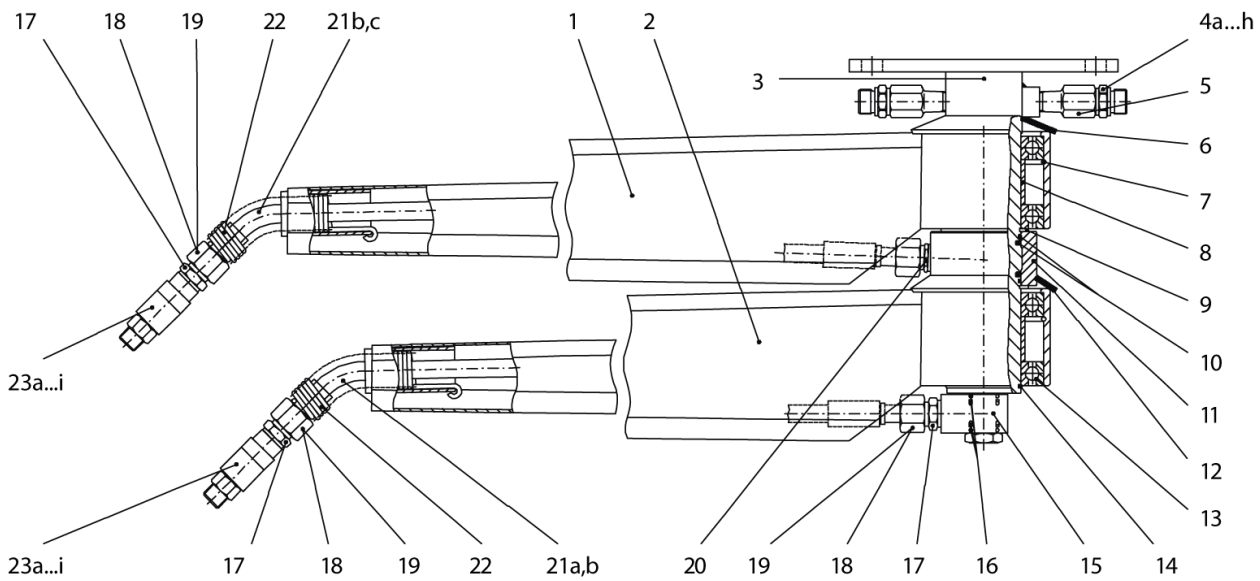
- [1] - UNTIL 19.09.96
- [2] - ACC. OUTPHASED 1996
- [3] - GUARANTEE DATE EXPIRED



Pos.	Artikelnummer	Hoeveelheid	Omschrijving	Notes
00	37871	1	Plafondzwenkarm 1750mm. R VS	
	37742	1	Wandzwenkarm 2000mm. RVS	
4	12772	1	SPEZIALNIPPEL ZU DECKENKR	[1]
8	12295	1	Lager	[1]
9	37840	1	Veiligheids klip voor as	
10	12764	1	Banjoverbinding compleet	
11	37939	1	Pakkingset dubb.zwenkarm	
13	1081	1	Knelfmoer M12 verzinkt	
14	1080	1	Knelfring verzinkt 12x1,5	
15b	62204	1	HD slang DN 8x1670	
16	37570	1	Veer	
17f	37748	1	Draaikoppeling	

Part Notes:

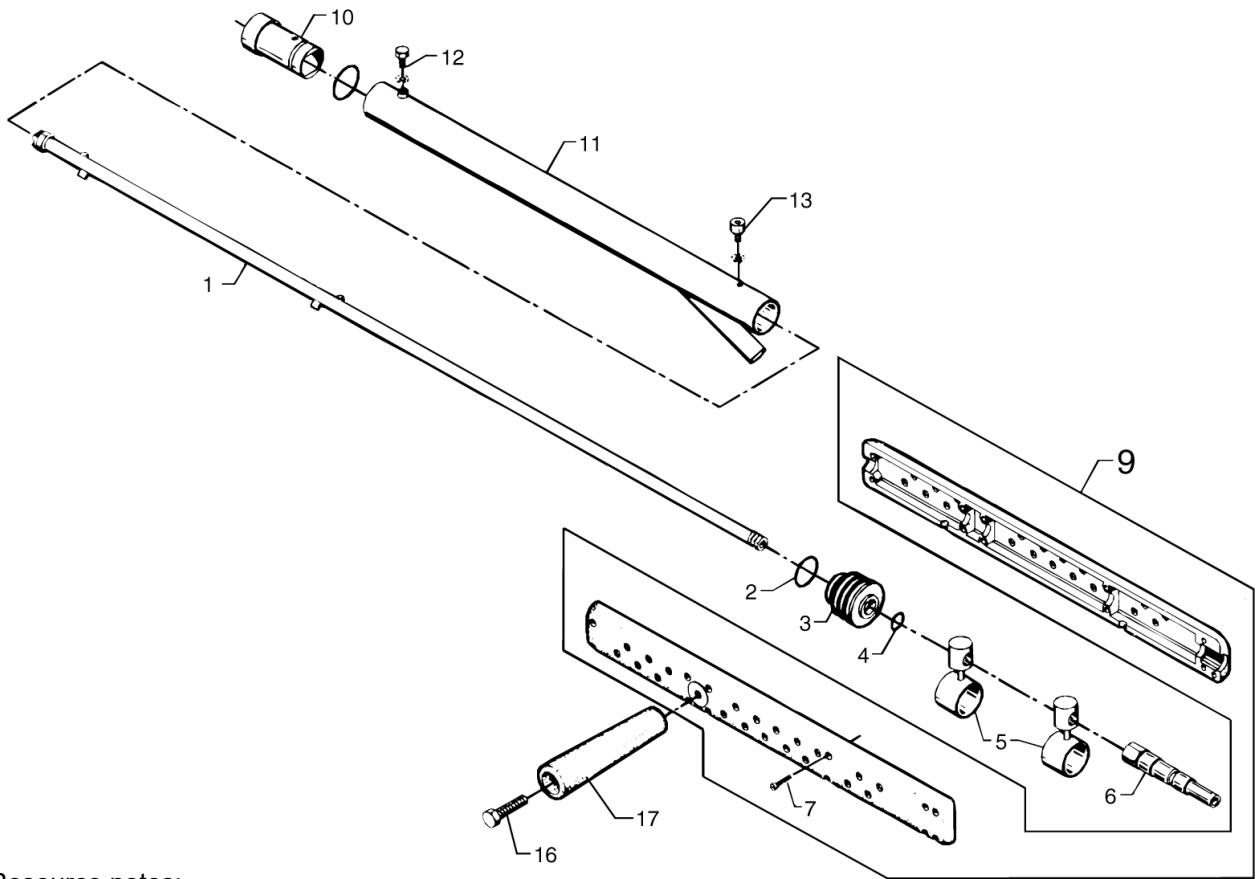
[1] - Garantie date expired



Pos.	Artikelnummer	Hoeveelheid	Omschrijving	Notes
00	309000209	1	Swivel arm ceiling dual 1600/1750MM SS	
5	12772	1	SPEZIALNIPPEL ZU DECKENKR	[1]
8	37569	1	Sleeve 50x55x30 CUZN	[2]
9	37576	1	Ring (zwenkarm)	
13	12295	1	Lager	[1]
14	37840	1	Veiligheids klip voor as	
15	12764	1	Banjoverbinding compleet	
16	37939	1	Pakkingset dubb.zwenkarm	
17	37939	1	Pakkingset dubb.zwenkarm	
18	1081	1	Knelmoer M12 verzinkt	
19	1080	1	Knelring verzinkt 12x1,5	
21b	37777	1	HD-slang 1710mm	
21c	31000452	1	HP HOSE FOR ARM L. 1750MM	[3]
22	37570	1	Veer	
23f	27748	2		

Part Notes:

- [1] - Guarantee date expired
- [2] - Machine outphased 1992
- [3] - NO LONGER AVAILABLE



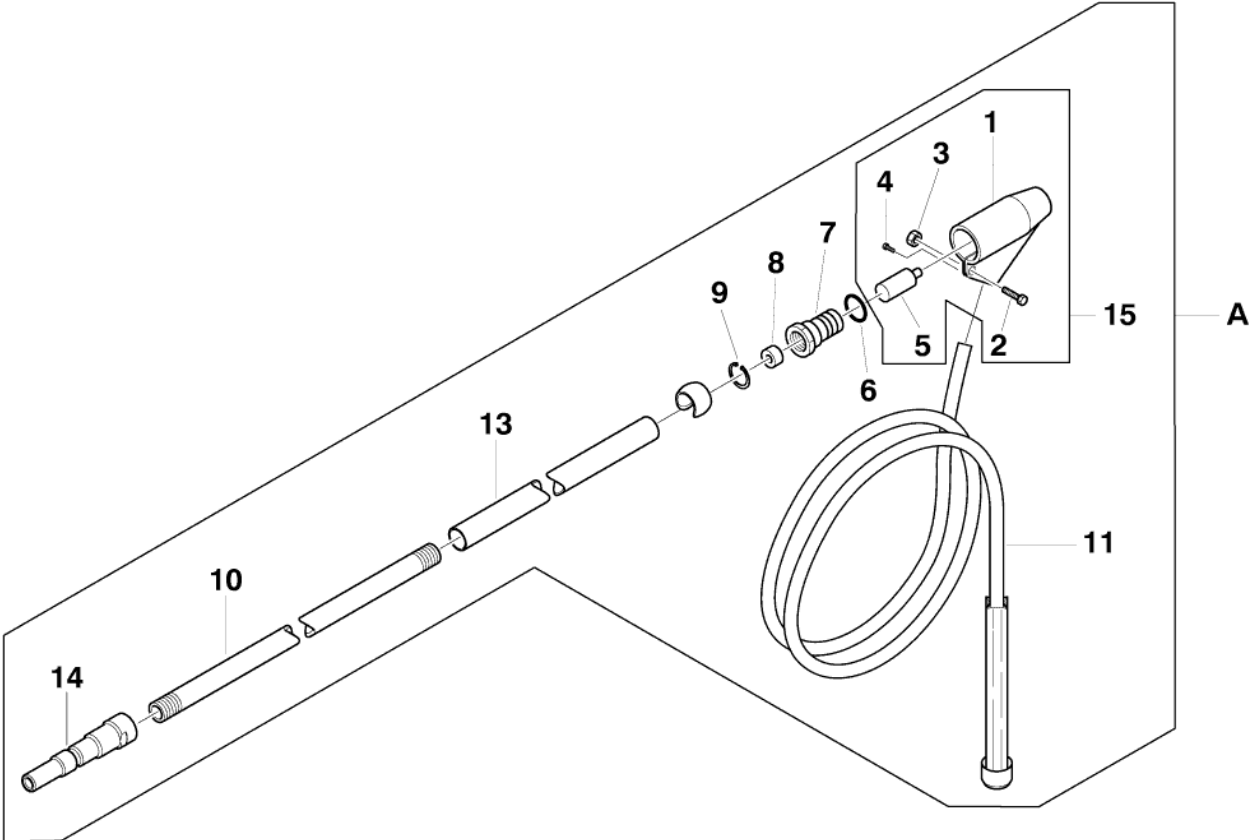
Resource notes:

TSB-PPW-2013-006 VSB lances

Pos.	Artikelnummer	Hoeveelheid	Omschrijving	Notes
0-	6401365	1	Gritstraallans met rubber 06	[1]
0-	6400387	1	WSB LANCEFLAT JET NOZZLE 05	[2]
0-	6400382	1	Gritstraallans VSB 300	[1]
0-	6401364	1	Gritstraallans met rubber 05	[3]
0-	6400384	1	WSB LANCEROUND JET NOZZLE 06	[4]
1	6401332	1	Tube W.O. (Rond) Nozzle	[5]
1	6401359	1	Binnenpijp met platte nozzle 03	[1]
1	6401369	1	Binnenpijp zonder nozzle 02 pomp	[6]
1	6401360	1	Binnenpijp met platte nozzle 02	[3]
2	3000825	2	O-Ring 20.24x2.62	
3	6400587	1	prop voor VSB lans	
4	3001682	1	O-Ring 12,3 x 2,4	
5	6400355	2	Ophanging slang	
6	1609325	1	Lijnkoppeling RF	
7	101814698	10	Schroef K30x16	
9	6400603	1	REP.KT SHELLS	[7]
9	1118009	1	Rep.set v. spuitlans	[8]
10	6400379	1	Nozzel VSB 300 borium carbid	
10	6402317	1	Nozzel VSB 300 vlakstraal	
10	6400377	1	WSB NOZZLE BORON-CARBIDE ROUND	[9]
11	6400354	1	buitenpijp	
12	1804160	1	SCREW HEX CAP M4X8	
13	1804459	1	SCREW M4X6	
16	1800150	1	Bout 8 x 30	
17	4000014	1	Handgreep	

Part Notes:

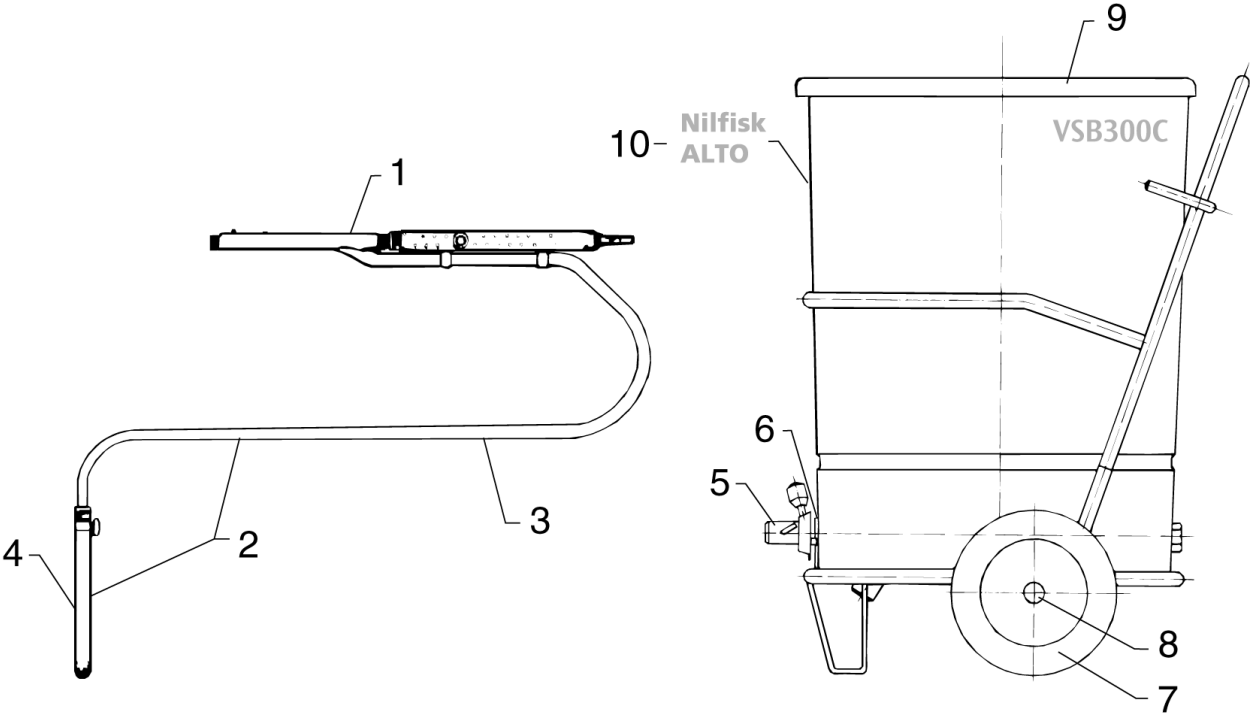
- [1] - 03K, 03V
 [2] - 02K, 02V, A2K, A2V
 SEE SMI HPW 07/2008
 [3] - 02K, 02V, A2K, A2V, 40C, 40H
 [4] - 03K, 03V
 SEE SMI HPW 07/2008
 [5] - 03K, 03V
 GUARANTEE DATE EXPIRED
 [6] - 02K, 02V, A2K, A2V
 [7] - until 19.08.99
 [8] - from 20.08.99
 [9] - SEE SMI HPW 07/2008



Pos.	Artikelnummer	Hoeveelheid	Omschrijving	Notes
A	301112493	1	Natstraal unit incl. zuigslang	[1]
1		1	Nozzle housing	[2]
2	1805217	1	SCREW M4X20 SN213307 A2 BN2845	
3	2759	1	Moer	
4	1805209	1	SCREW D2.9X8-8.8 A2K DIN 7981	[3]
5	1118124	1	Set nozzles tbv gritstraal	
6	6441	1	O-Ring 11X2 (3000460 DK)	
7	6400746	1	NOZZLE VSB-01K	
8	6400745	1	Voorzetnozzle VSB	
9	1803972	1	SEEGER CIRCLIP RING 10 X 1.0 DIN 472	
10	106402600	1	TUBE D13X1.5MM	
11	6401329	1	SUCTION PIPE COMPL.	
13	5206859	1	HOSE PVC 13/16 BLACK	
14	1609325	1	Lijnkoppeling RF	
15	6401330	1	nozzlehuls met nozzle	

Part Notes:

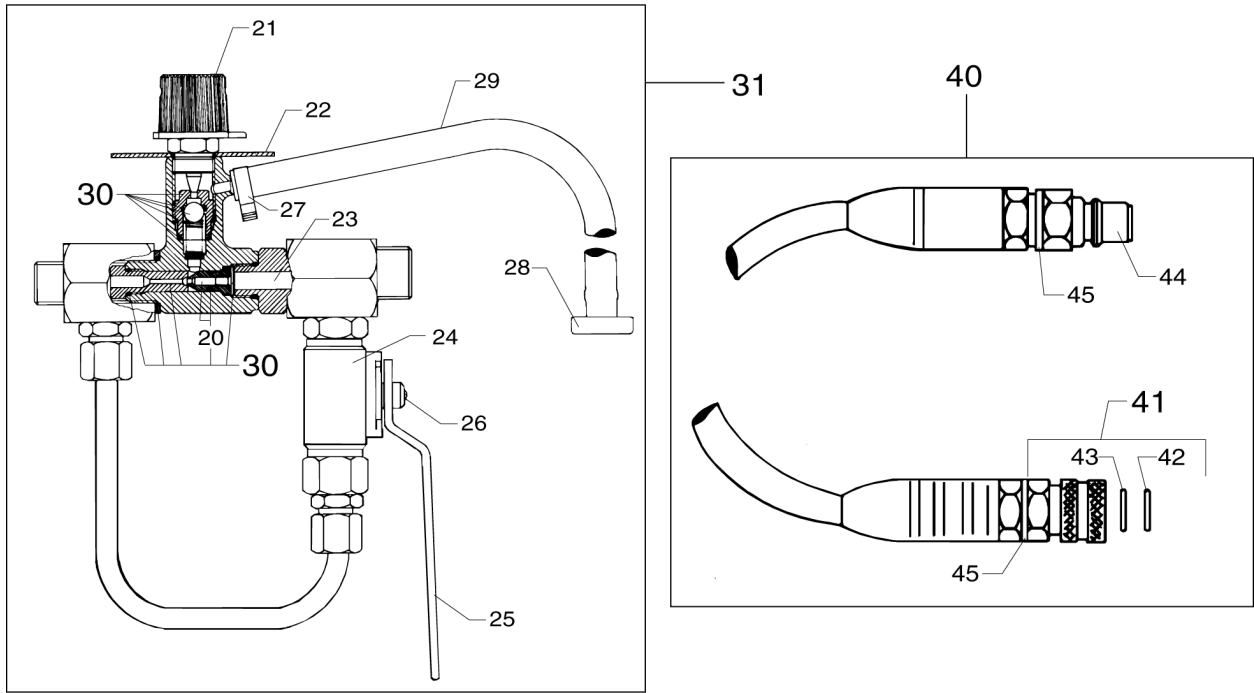
- [1] - See TSB-PPW-2013-006 VSB lances (GB), TSB-PPW-2013-006 VSB Lanzen (DE)
- [2] - No longer available use 6401330
- [3] - GUARANTEE DATE EXPIRED



Pos.	Artikelnummer	Hoeveelheid	Omschrijving	Notes
0-	6400374	1	WSB TANK 140 L INCL DOSER	[1]
1		1	WSB Lance	
2	6400375	1	Gritbuis met aanzuigslang	
3	2402410	1	HOSE 5/8 10 M	
4	6400373	1	SUCTION PIPE COMP.	[2]
5		1	Dosing unit	[3]
6	3001708	1	U-SLEEVE VS 0018	[4]
7	2005726	2	WHEEL	[2]
8	2003481	2	Naafdop v. wielen	
9	6400638	1	deksel	[4]
10	6155913	1	Alto logo	[2]

Part Notes:

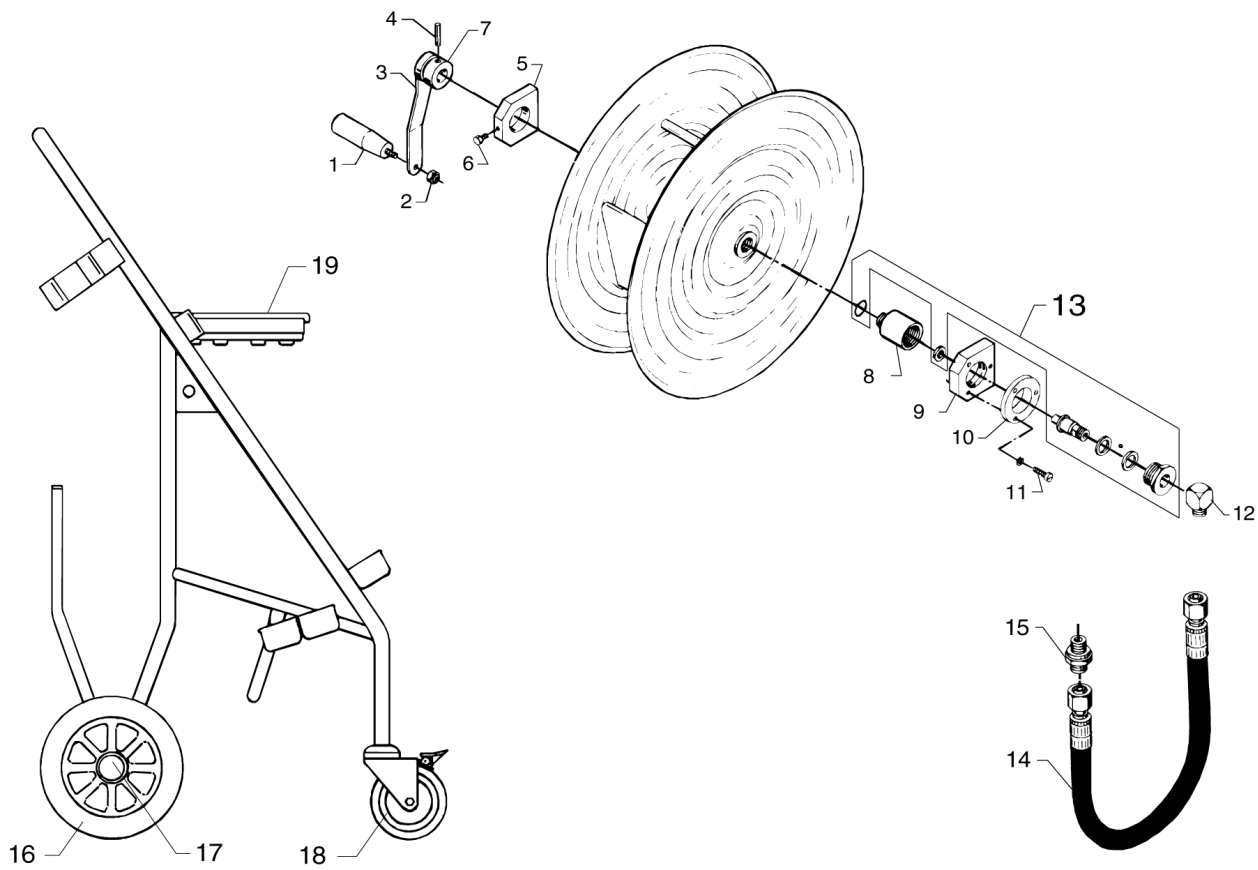
- [1] - SEE SMI HPW 07/2008
- [2] - NO LONGER AVAILABLE
- [3] - Dosing unit
- [4] - CLOSED WHEN STOCK EMPTY



Pos.	Artikelnummer	Hoeveelheid	Omschrijving	Notes
0	6401095	1	CHEMICAL TROLLEY INCL SPACE	[1]
0	6401094	1	Reinigingswagen 2 x 5 l tank	
20	1119815	1	Rep.set nozzle met O-ring	
21	6101778	1	Regelkraan	
22	6400363	1	Verdeelschaal	
23	6150675	1	Overloop	
24	3401916	1	Hydroball-valve	
25	6300411	1	Handgreep voor kogelkraan	
26	1119324	1	Rep.kit schrijf/schroef h ydrob	
27	1810084	1	Slangklem 10,8/12,3	
28	6400240	1	Chemicalidnfilter	
29	106408243	1	Doorzichte slang 1/4-5 m	
30	1119107	1	Rep.kit voor schuiminjekt eur	
31	6403454	2	schuiminjecteur met by-pa ss	
40	1403054	1	INLET HOSE COMPL.	[2]
41	106402075	1	Snelkoppeling 3/8 inch ERGO vrouwelijk	
42	3000049	1	O-Ring 18.3x2.4	
43	3000031	2	O-Ring 20.24x2.62	
44	1603101	1	Snelkoppeling RVS 3/8 inch	
45	1801075	2	Dichtingsring 3/8 inch	

Part Notes:

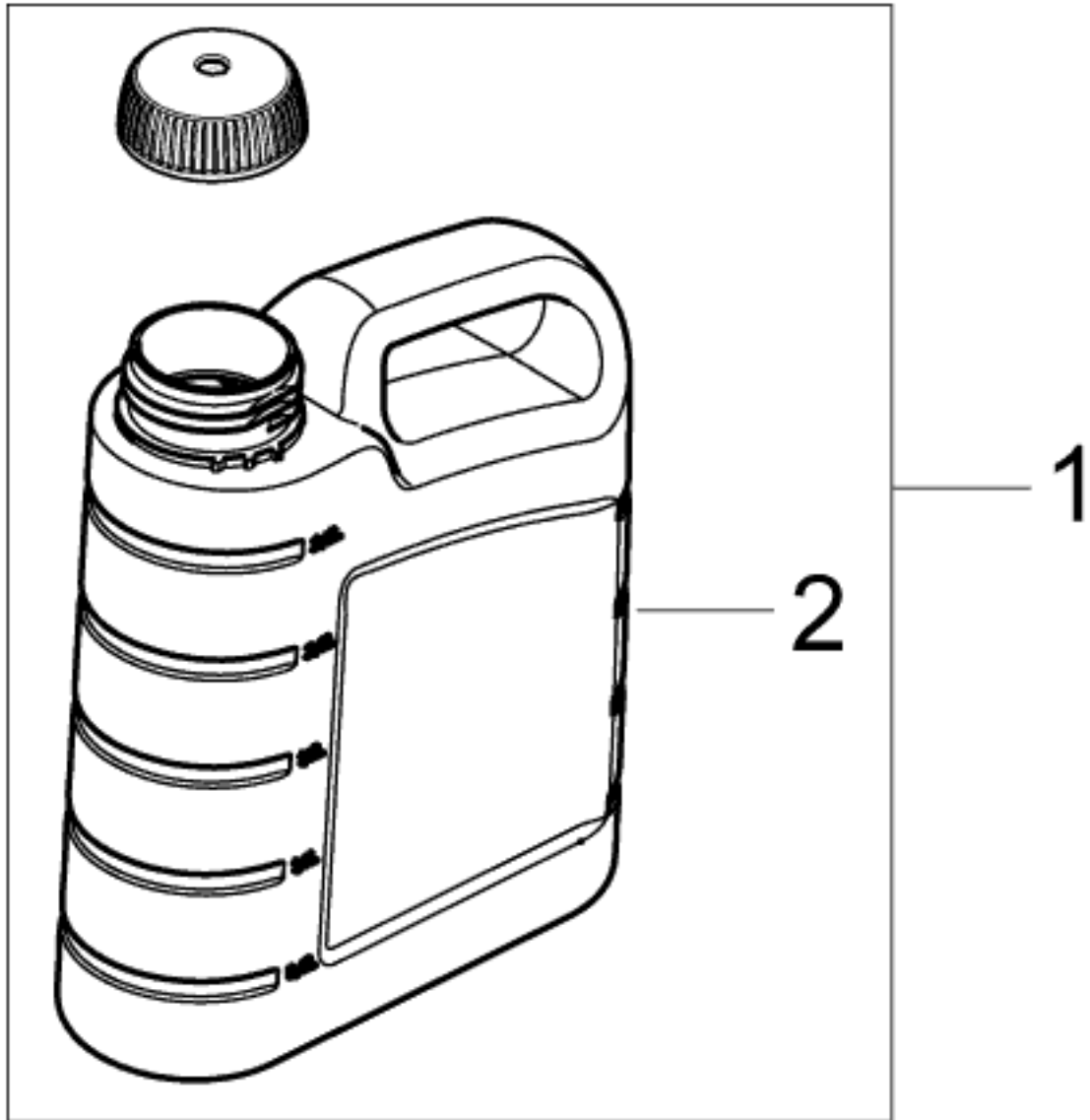
- [1] - SEE SMI HPW 07/2008
 [2] - GUARANTEE DATE EXPIRED



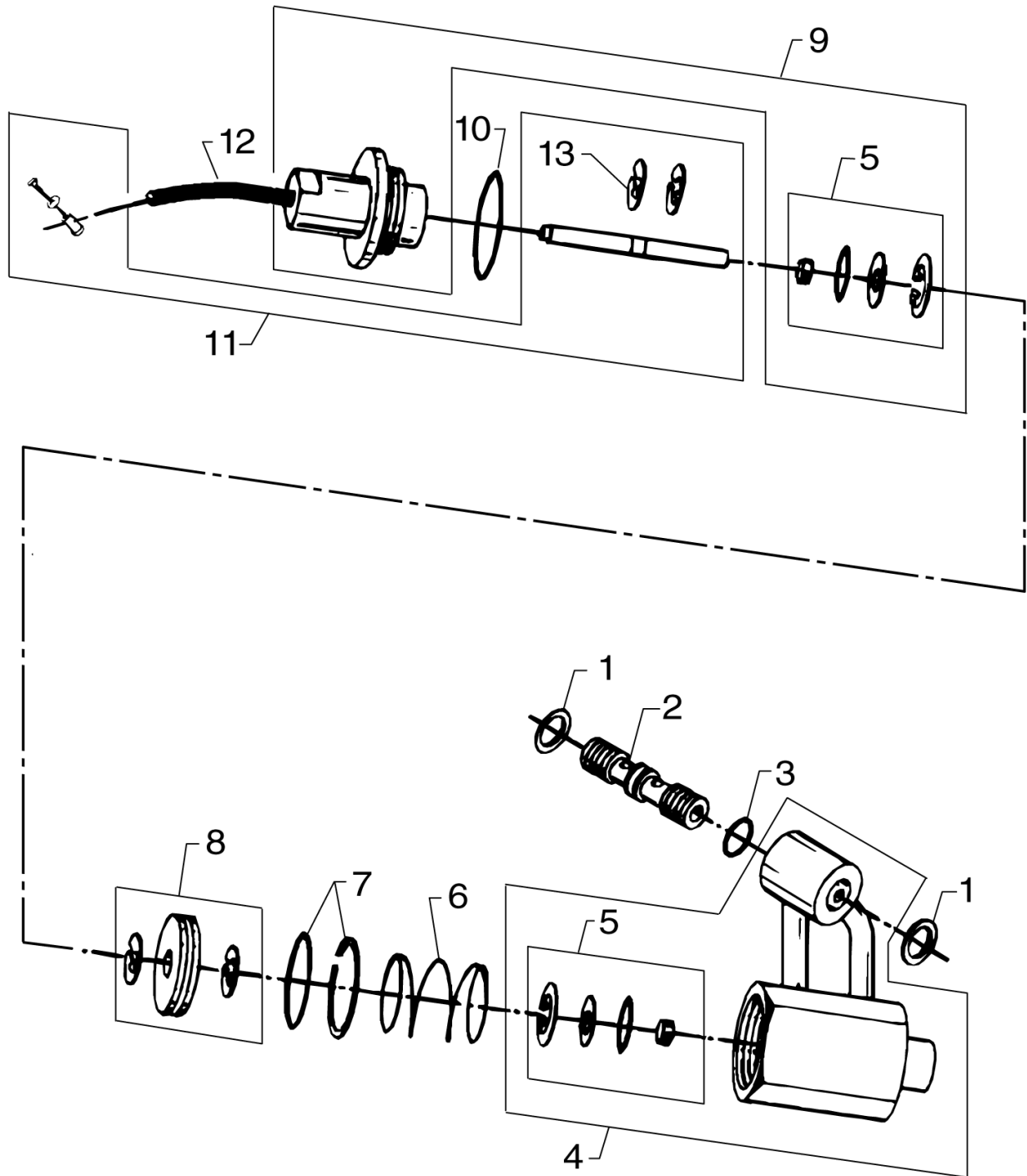
Pos.	Artikelnummer	Hoeveelheid	Omschrijving	Notes
0-	6401095	1	CHEMICAL TROLLEY INCL SPACE	[1]
0-	6401094	1	Reinigingswagen 2 x 5 l tank	[2]
1	4000402	1	Handvat v. haspel	
2	1801905	1	Moer	
3	6401336	1	HANDLE SS	
4	1804715	1	PIN D6 X 30 SS	
5	6400773	1	CASING BEARING SS	
6	6400774	1	SCREW HEX CAP M5X18 A2	
7	6400802	1	BEARING BUSH 27 MM	
8	6400778	1	HOUSING FOR LEAD-IN	
9	6401763	1	BEARING HOUSING	
10	6400799	1	Rem	
11	1804301	3	SCREW M5X16	
12	6400804	1	Waterinlaat SS	
13	1119585	1	Rep.set inlaat	
14	6403456	1	HIGH PRESSURE HOSE L 450	
15	1605102	1	STRAIGHT SCREWED CONNECTION	
16	2010932	2	NON BLACKING WHEEL	
17	6102614	2	Naafdop compleet	
18	2013142	2	ABLE WHEEL W. BRAKE	
19	6401479	1	TRAY PLASTIC	

Part Notes:

- [1] - 2x25L
SEE SMI HPW 07/2008
- [2] - 2x5L, 1x25L



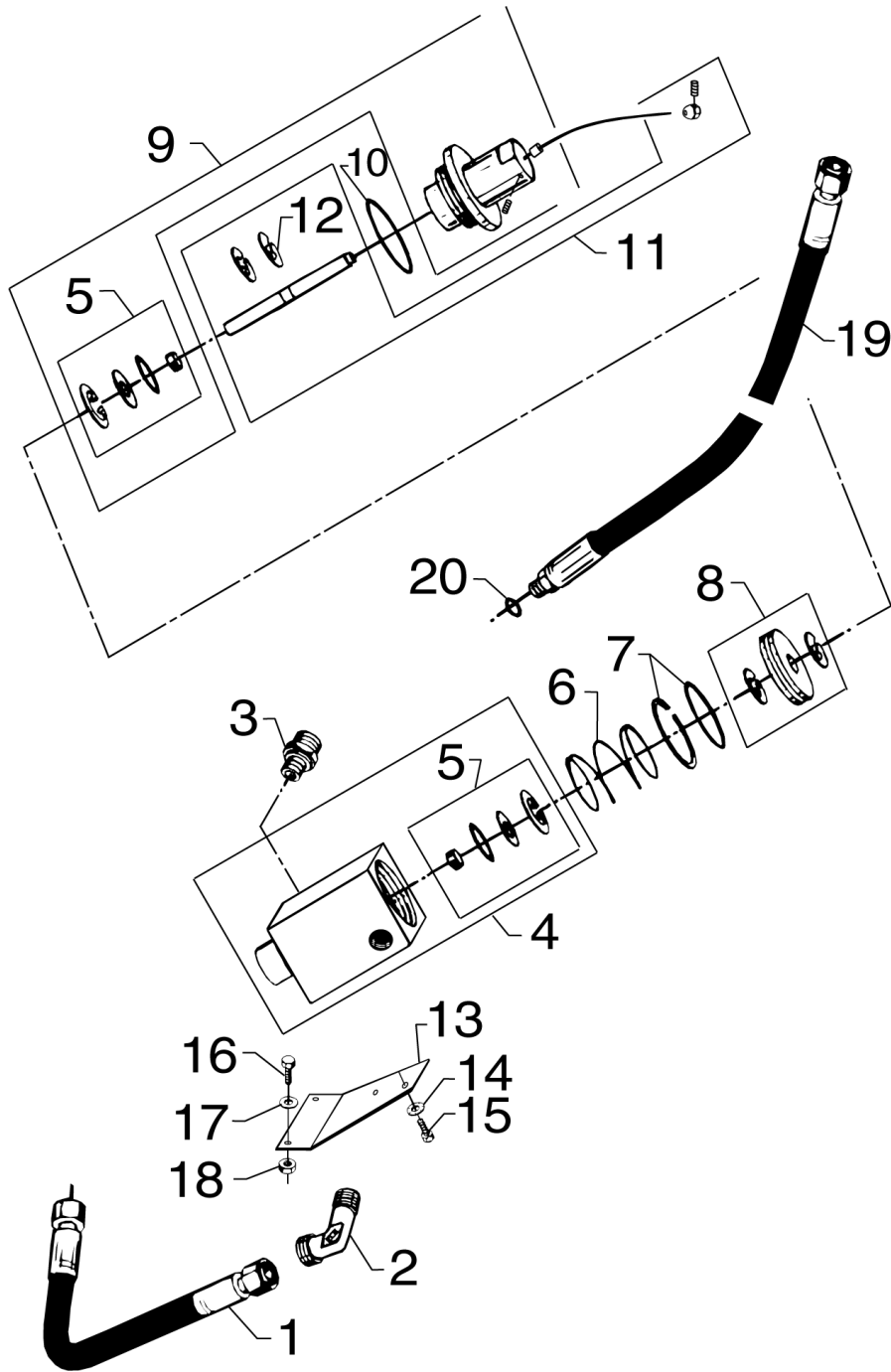
Pos.	Artikelnummer	Hoeveelheid	Omschrijving	Notes
1	106403162	1	Rein.middelentank met veiligheidsdop	
2	107141635	1	Reinigingsmiddeltank 2,5 l	



Pos.	Artikelnummer	Hoeveelheid	Omschrijving	Notes
0-	6162618	1	Automatische toerenregelaar	[1]
0-	6169224	1	MOUNTING INSTRUC. THROTTLE LEV	[2]
1	1801075	2	Dichtingsring 3/8 inch	
2	6400712	1	Inzetstuk leiding	[3]
3	3001682	1	O-Ring 12,3 x 2,4	
4	6162619	1	Huis	[1]
5	1119590	1	Rep.set afdichting 03KB	
6	6162627	1	Terugslagveer	[4]
7	1119591	1	Rep.set o-ring+afdichting 03KB	
8	1119592	1	Rep.set piston 03KB	[4]
9	6162625	1	Plug	[1]
10	3004242	1	O-Ring 30.30x2.4	[4]
11	1119589	1	ReperabEn Set Gaskabel	[4]
12	6162634	1	buiten kabel	[1]
13	1814086	2	ring	[1]

Part Notes:

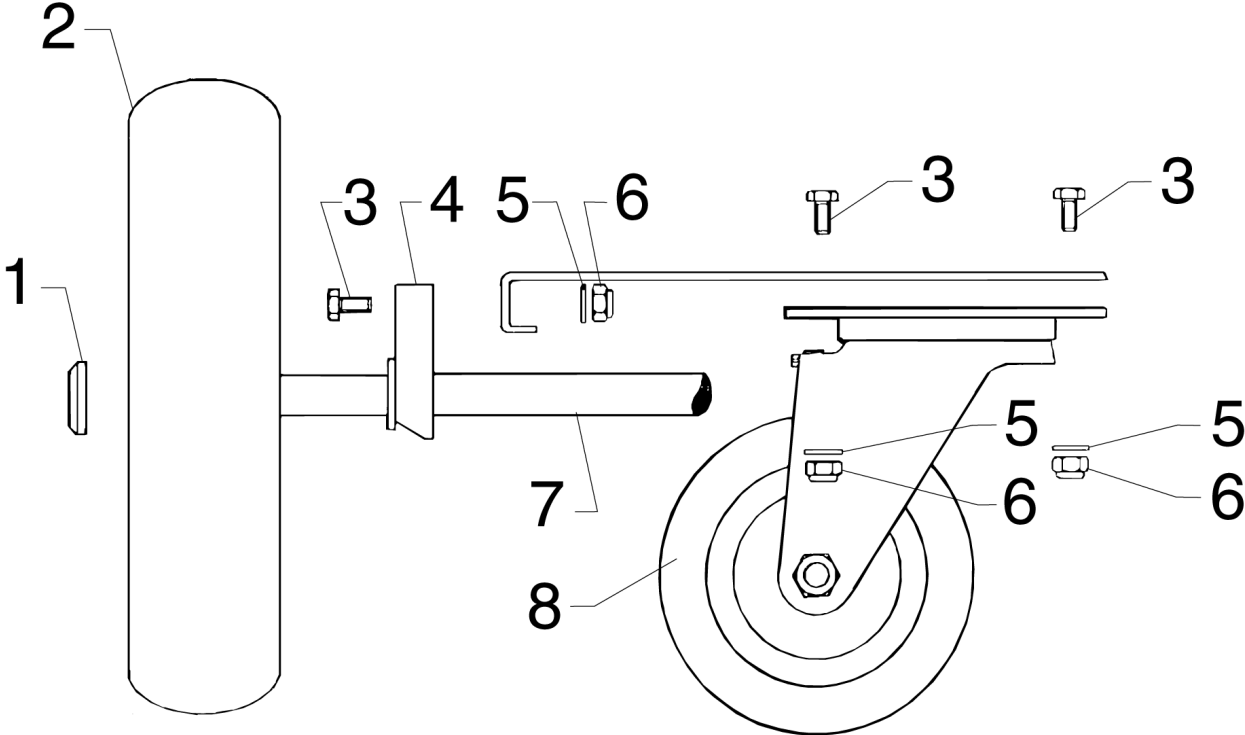
- [1] - CLOSED WHEN STOCK EMPTY
- [2] - NO LONGER AVAILABLE
- [3] - GUARANTEE DATE EXPIRED
- [4] - STOCK COVERS GUARANTEE



Pos.	Artikelnummer	Hoeveelheid	Omschrijving	Notes
0-	6402022	1	Gas regulering	[1]
1	1405663	2	HP Hose DN10 370 DKL-DKL	[2]
2	1603119	1	Elleboog	
3	1601079	1	Nippel	
4	6404356	1	Housing comp contractor diesel	[2]
5	1119590	1	Rep.set afdichting 03KB	
6	6162627	1	Terugslagveer	[3]
7	1119591	1	Rep.set o-ring+afdichting 03KB	
8	1119592	1	Rep.set piston 03KB	[3]
9	6404355	1	Plug compleet Contract. Diesel	[1]
10	3004242	1	O-Ring 30.30x2.4	[3]
11	1119400	1	Kabel reparatie set	[2]
12	1814086	2	ring	[1]
13	6228899	1	FITTING	[2]
14	1805191	2	SAFETY WASHER	[4]
15	1801638	2	SCREW HEX CAP M6X10	[1]
16	4697	2	Kop schroef M6 x 16 IS	
17	1800440	2	Schijf	
18	33158	2	Moer 6kt - M6	
19	1405664	1	HIGH PRESSURE HOSE 150DGC L 1014	
20	3000064	1	O-Ring 14.1x1.6	

Part Notes:

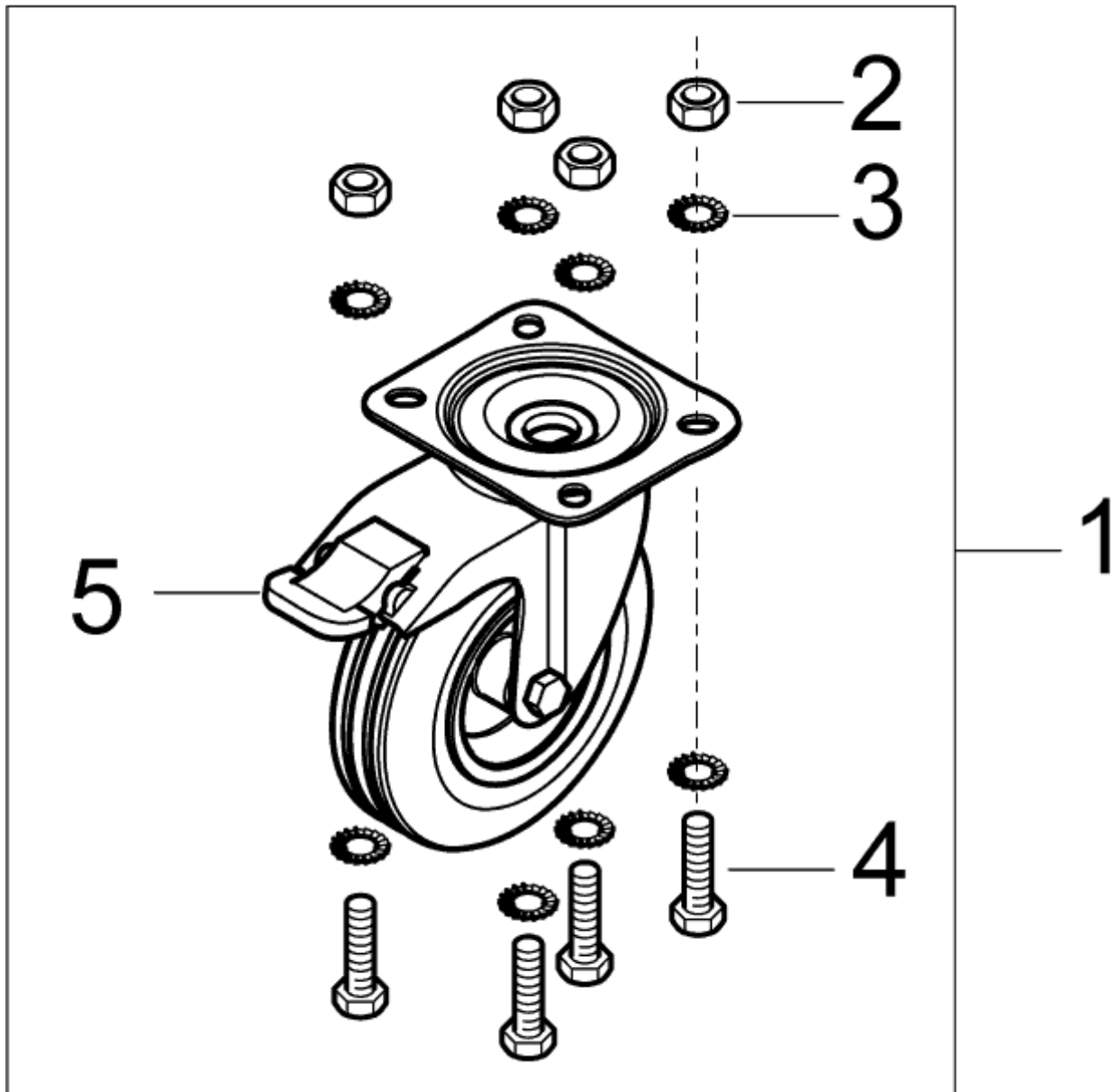
- [1] - CLOSED WHEN STOCK EMPTY
- [2] - GUARANTEE DATE EXPIRED
- [3] - STOCK COVERS GUARANTEE
- [4] - NO LONGER AVAILABLE



Pos.	Artikelnummer	Hoeveelheid	Omschrijving	Notes
0	6401097	1	Wielenset voor contractor	[1]
1	2004265	2	Kap voor wielas	
2	2011021	2	Pneumatic banden 400 mm	[2]
3	1800762	8	SCREW HEX CAP M10X20	[3]
4	6228208	1	FITTING FOR WHEEL	[4]
5	1800317	8	Schroef	
6	1801257	8	LOCK NUT M10 X 1	
7	6228209	1	WHEEL AXLE	[5]
8	2013266	1	Zwenkwiel	[4]

Part Notes:

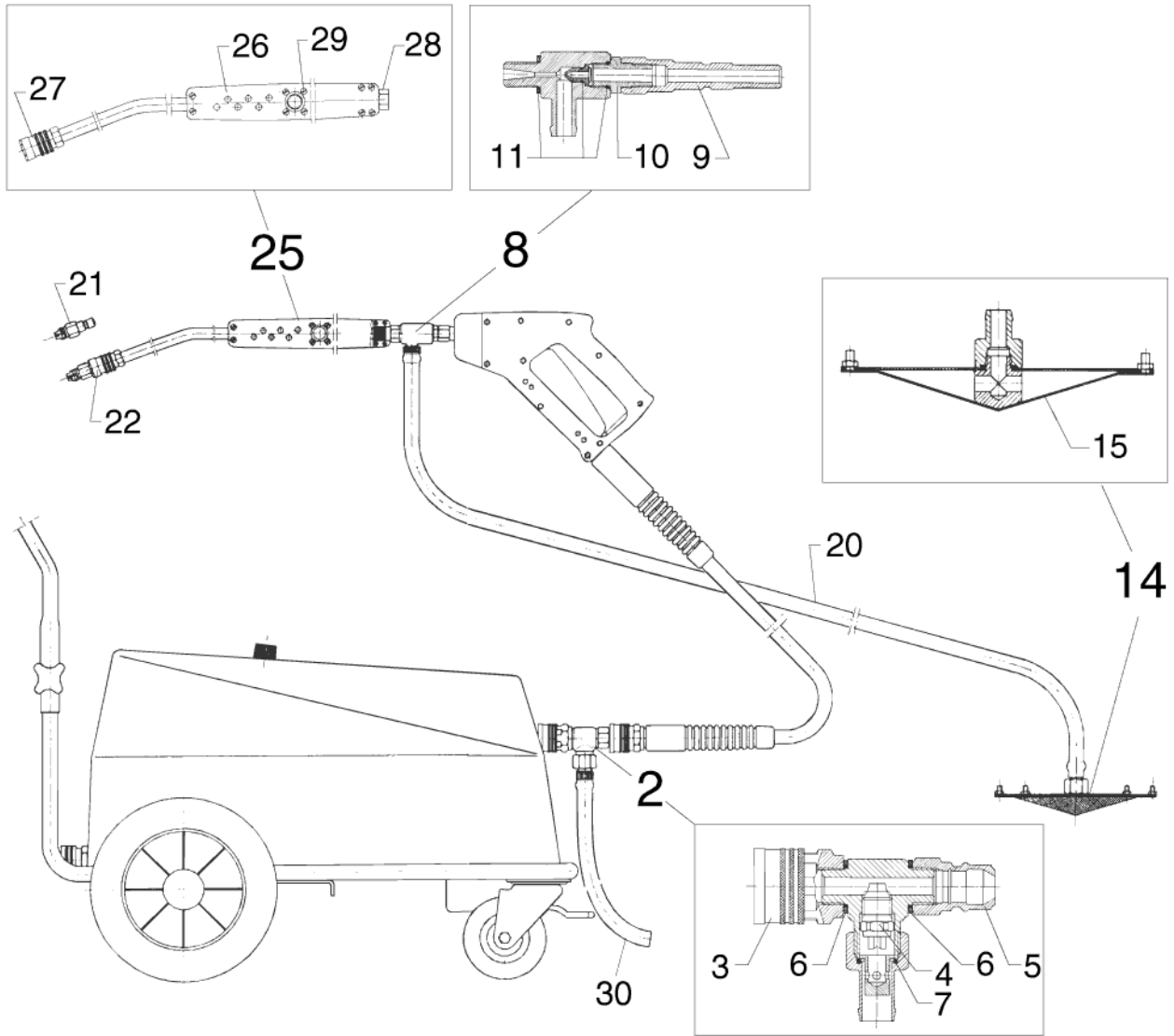
- [1] - Tire kit, Contractor - not shown
NOT LONGER AVAILABLE
- [2] - STOCK COVERS GUARANTEE
- [3] - GUARANTEE DATE EXPIRED
- [4] - NO LONGER AVAILABLE
- [5] - CLOSED WHEN STOCK EMPTY



Pos.	Artikelnummer	Hoeveelheid	Omschrijving	Notes
1	106403145	1	Voorwiel kit	[1]
2	1800515	4	Moer M8 (4100190)	
3	1800796	4	Schijf	
4	2753	4	Schroef M8x20	
5	107141607	1	WHEEL W. BRAKE D125	

Part Notes:

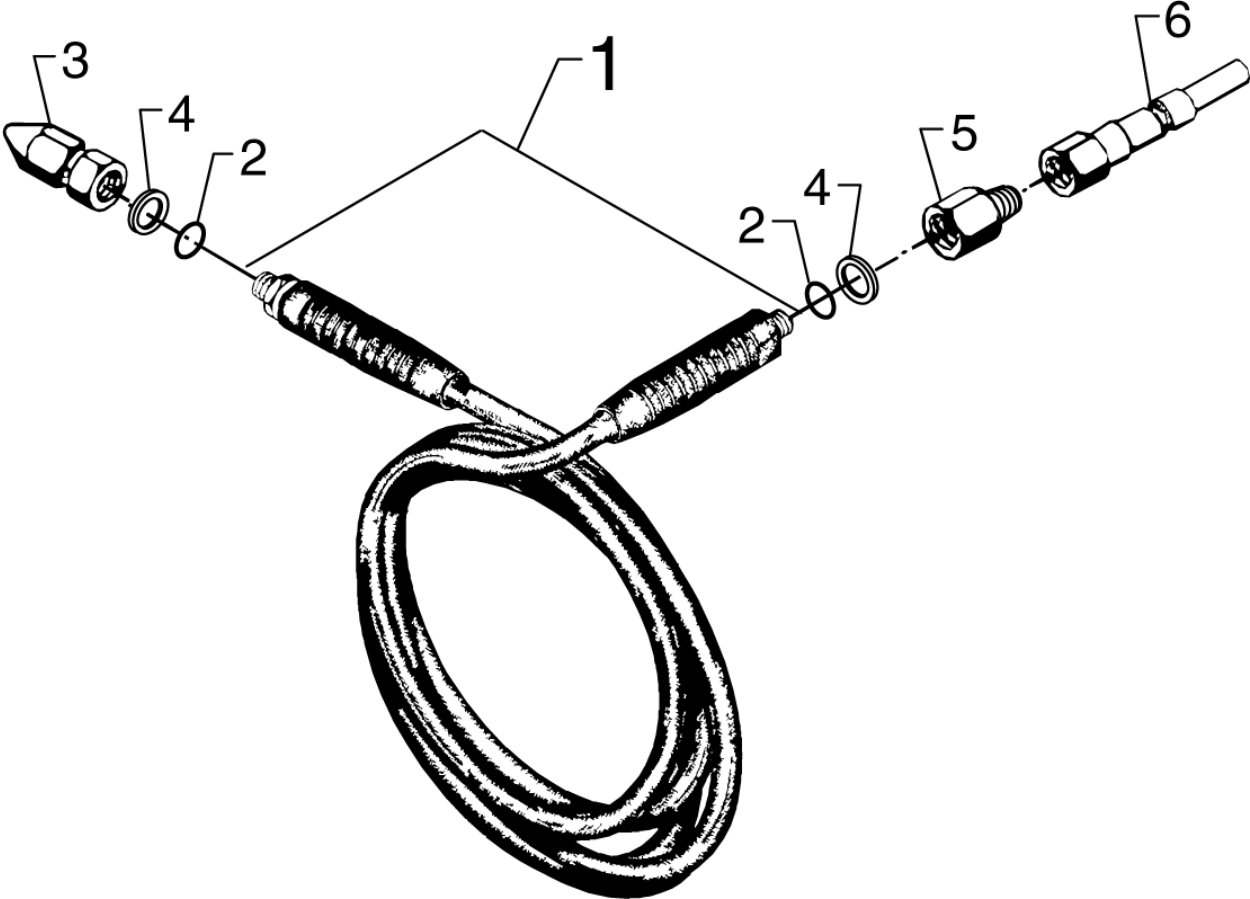
[1] - PRUNED-NO REPLACEMENT



Pos.	Artikelnummer	Hoeveelheid	Omschrijving	Notes
1	6400139	1	WHITEWASHING EQUIPMENT 05	[1]
1	6400140	1	WHITEWASHING EQUIPMENT 06	[2]
2	6401308	1	T-CONNECTION W.15065 NOZZLE	[3]
2	6401306	1	T-CONNECTION W. 15055	
2	6401307	1	T-CONNECTION W. 1505 NOZZLE	[3]
3	106402075	1	Snelkoppeling 3/8 inch ERGO vrouwelijk	
4	2800357	1	Nozzle 15055 1/4 inch	
4	2800589	1	Nozzle 15065	
4	2800340	1	Nozzle 1505 1/4 inch	
5	1600493	1	Snelkoppeling mannelijk 3/8 inch	
6	1801075	1	Dichtingsring 3/8 inch	
7	3001435	1	RUBBER SEAL	[3]
8	6401304	1	INJECTOR COMP.	[4]
9	1609325	1	Lijnkoppeling RF	
10	6400664	1	Ring	
11	1119330	1	Kit injector nozzle	[5]
14	6401311	1	SUCTION FILTER COMP.	[4]
15	6400714	1	NET	[4]
20	5206461	1	PVC HOSE	
21	6401320	1	NOZZLE COMP. W. 2512	[6]
22	6401321	1	Nozzle compleet 6515	[5]
25	106408120	1	LANCE WITHOUT NOZZLE	[6]
26	1118009	1	Rep.set v. spuitlans	
27	1601962	1	QUICK COUPLING	[3]
28	6400667	1	SOCKET	[3]
29	101814698	12	Schroef K30x16	
30	102406665	1	HOSE 5/8 INCH X 2.6M	

Part Notes:

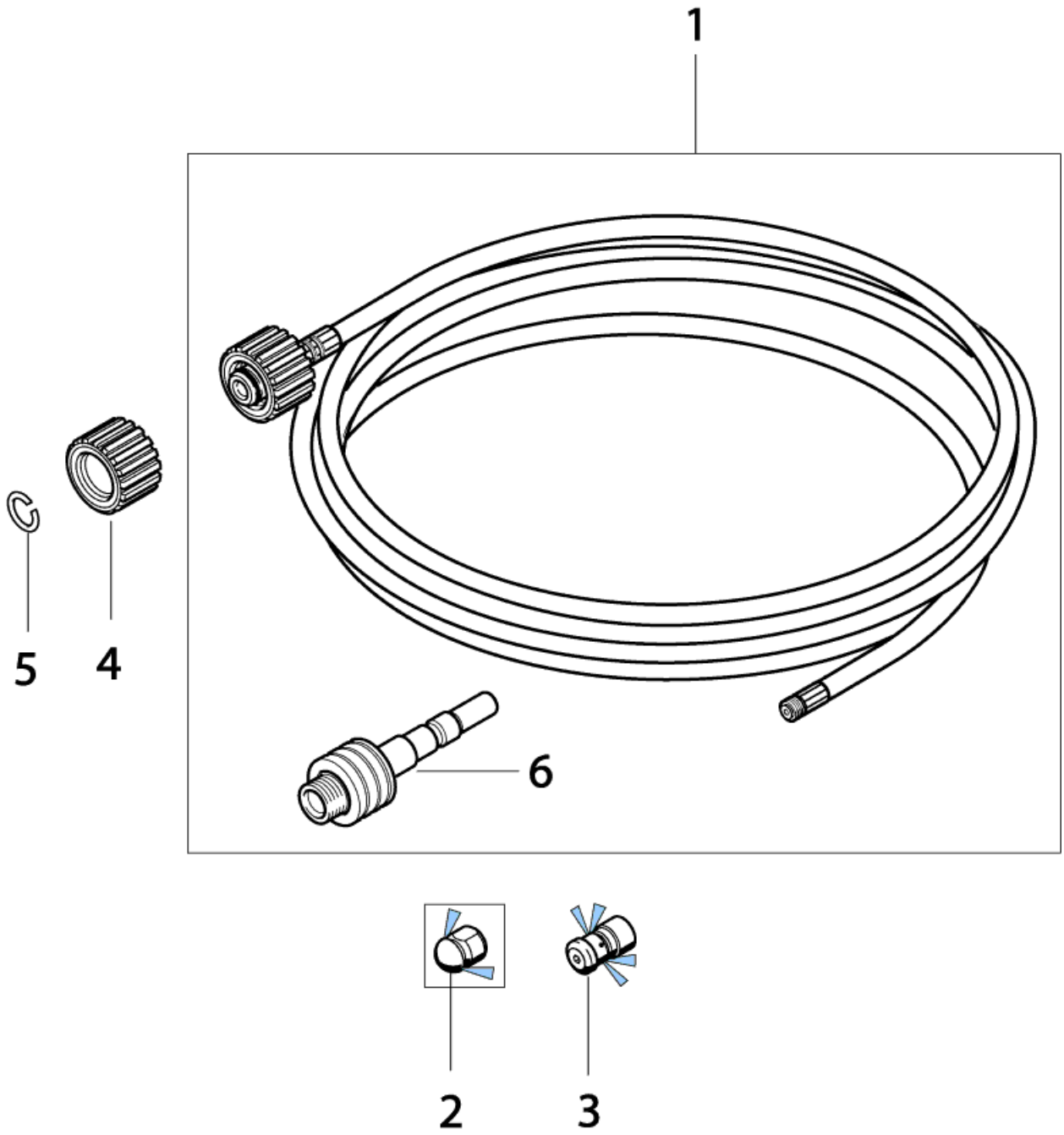
- [1] - Nozzle 05
SEE SMI HPW 07/2008
- [2] - Nozzle 065
SEE SMI HPW 07/2008
- [3] - GUARANTEE DATE EXPIRED
- [4] - CLOSED WHEN STOCK EMPTY
- [5] - NO LONGER AVAILABLE
- [6] - SEE SMI HPW 07/2008



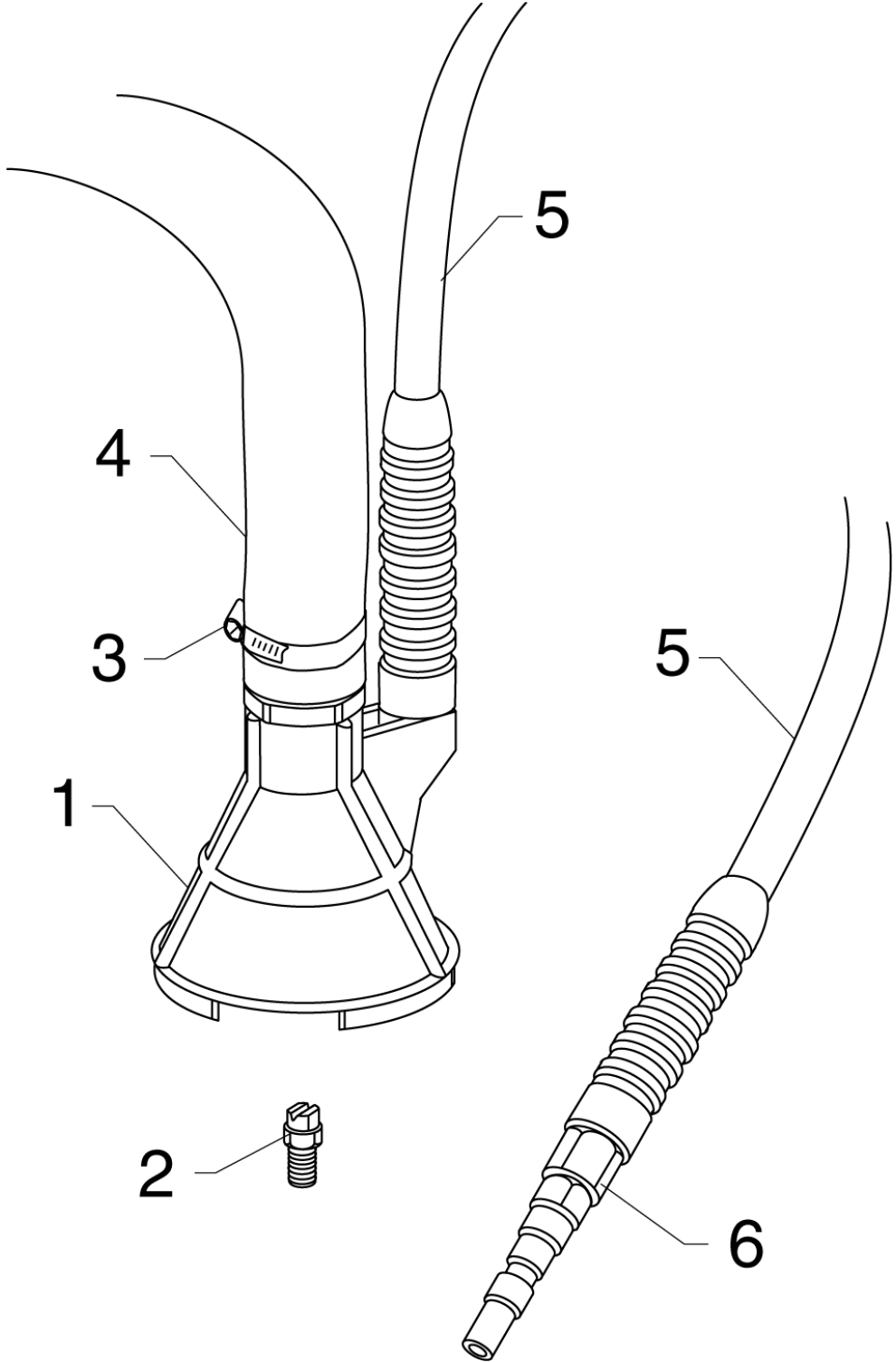
Pos.	Artikelnummer	Hoeveelheid	Omschrijving	Notes
0-	6401266	1	Riolslang 20 m met 05 nozzel	[1]
0-	6401268	1	Riolslang 20 m met 06 nozzel	[2]
1	6101766	1	Hogedrukslang 3/8 inch 10 m	[3]
1	1402072	1	Hogedrukslang 3/8 inch 20 m	[4]
2	3002003	2	O-Ring 13.1x1.6	
3	2800894	1	Rioolnozzle 06 3/8	
3	2800084	1	Rioolnozzle 05 3/8	[5]
4	1801075	3	Dichtingsring 3/8 inch	
5	1609306	1	Socket	
6	1609325	1	Lijkkoppeling RF	

Part Notes:

- [1] - NOZZLE 05, 20M
- [2] - NOZZLE 06, 20M
- [3] - 10M
- [4] - 20M
- [5] - Nozzle 05



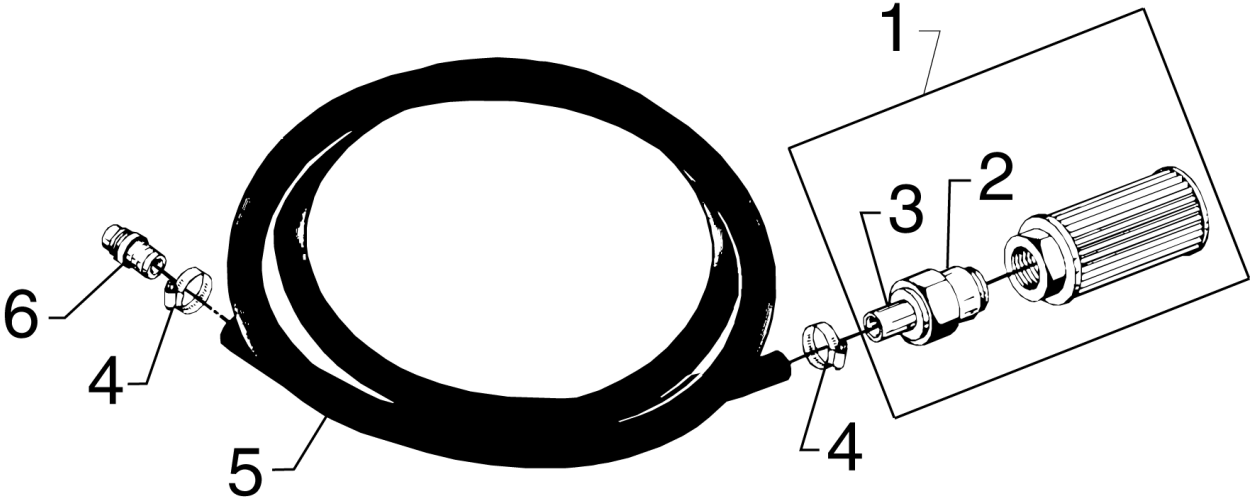
Pos.	Artikelnummer	Hoeveelheid	Omschrijving	Notes
1	301002490	1	Riolslang Ø 4 10 m ERGO koppeling	
1	301002492	1	Riolslang Ø 4 30 m ERGO koppeling	
1	301002491	1	Riolslang Ø 4 20 m ERGO koppeling	
2	46921	1	Rioolreinigingssproeier 1	
3	46918	1	Riolsproeier roterend 4 x 1.0	
4	15420	1	Moer M21x1.5x22	
5	1800192	1	Borgring 18.2x2	
6	66161	1	Adapter KEW pistool	



Pos.	Artikelnummer	Hoeveelheid	Omschrijving	Notes
0-	6402018	1	Waterzuigset 065 nozzle	
1	1609321	1	HOSE SOCKET FOR WATER SUCTION. MACHINED	
2	2802725	1	Nozzle HB 1/4 U-SS 0065	
2	2800514	1	Nozzle 0 gr. - 0055	[1]
3	1802487	1	HOSE CLIP 33-57MM FZB	
4	5226296	1	FLEX HOSE 38MM WATER SUCTION	
5	1402924	1	Hogedrukslang 3/8 inch 2 m	
6	1609325	1	Lijnkoppeling RF	

Part Notes:

[1] - GUARANTEE DATE EXPIRED

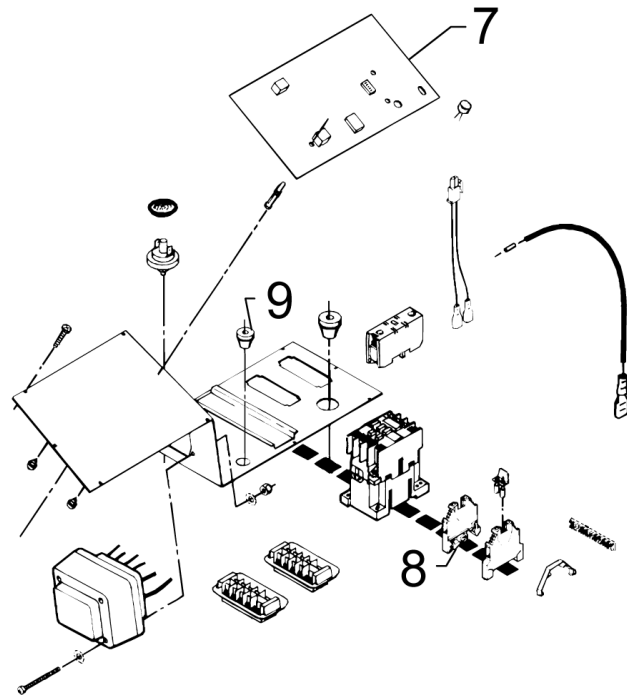
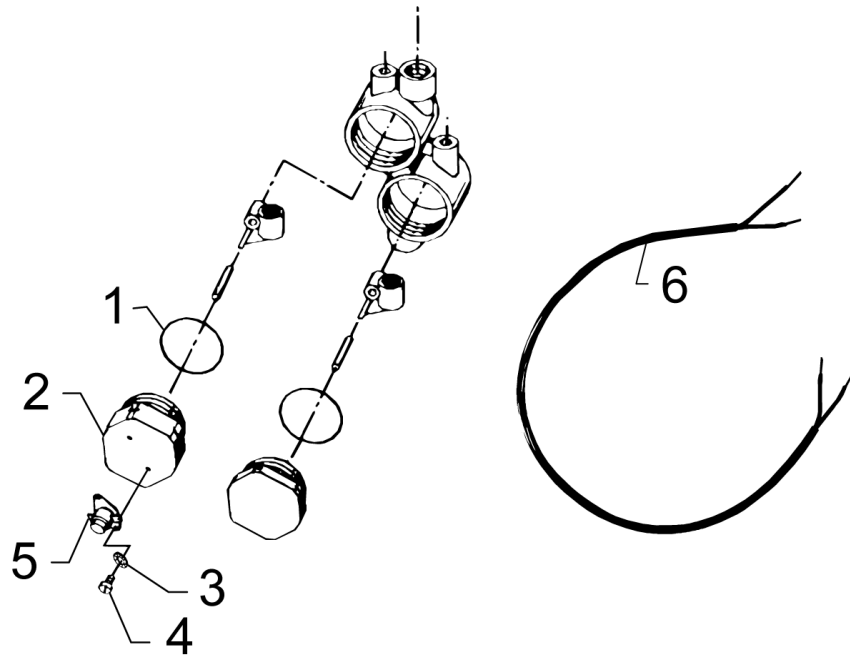


Pos.	Artikelnummer	Hoeveelheid	Omschrijving	Notes
0-		1	Suction hose with screen	[1]
1	6400000	1	Aanzuigfilter met terugslagklep	
2	6400402	1	NON-RETURN VALVE	[2]
3	6400403	1	HOSE TAIL 1X3/4 INCH	[2]
4	8298	2	Slangklem 16-27	
5	5206404	1	HOSE Ø20 METER	[3]
6	1600659	1	Snelkoppelingsnippel 3/4 inch	

Part Notes:

- [1] - Suction hose with screen
- [2] - GUARANTEE DATE EXPIRED
- [3] - BUY LOCALLY

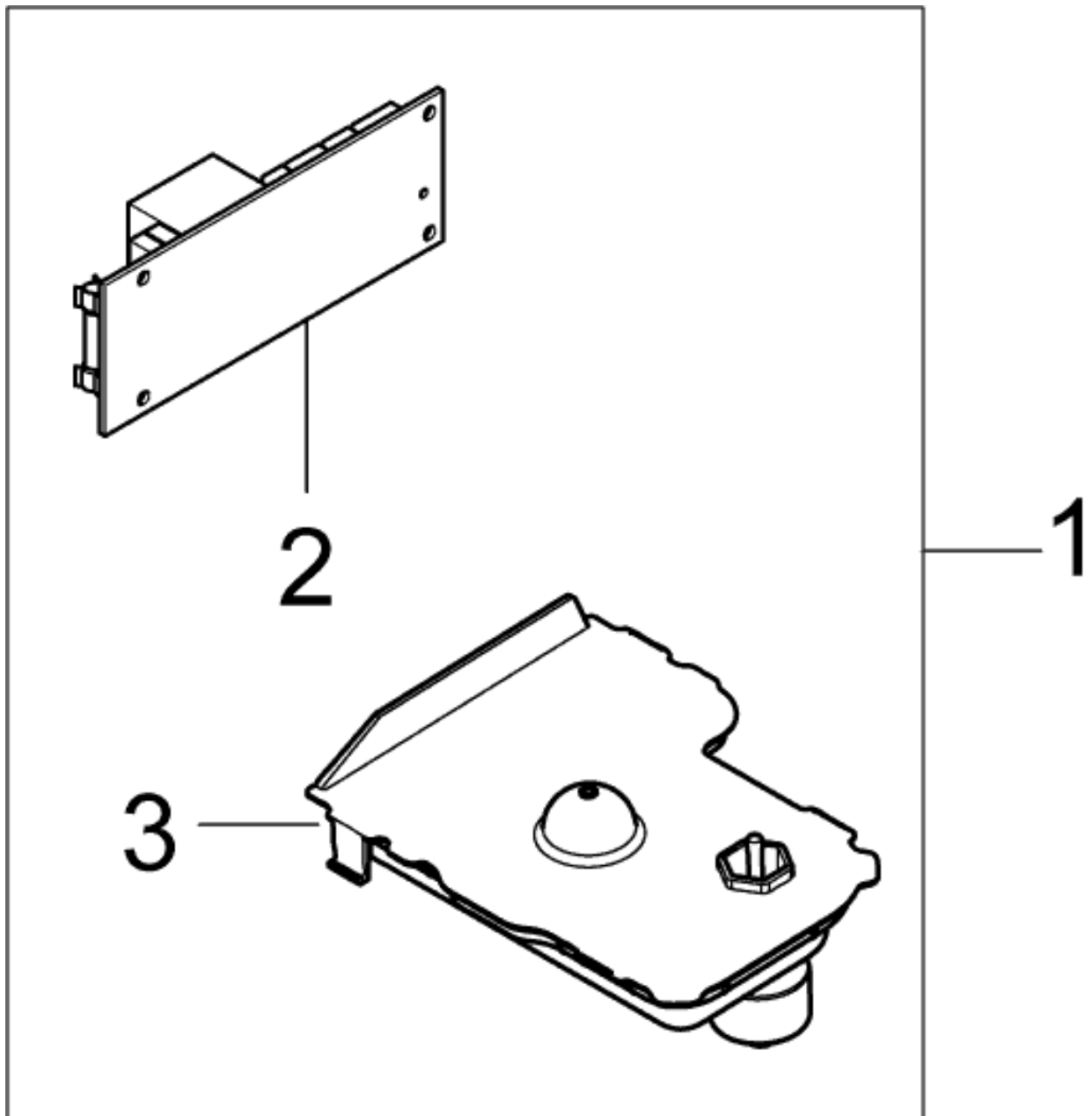
Standard =2,5 mtr



Pos.	Artikelnummer	Hoeveelheid	Omschrijving	Notes
0-	6401279	1	UPGRATING TO COLD WATER MODE	
1	3001716	2	O-Ring 35.1x1.6	
2	6184801	1	Stop	[1]
3	1809953	2	Schijf M3	[1]
4	1803139	2	Schroef M3x6	[1]
5	3821228	1	Thermosensor	[1]
6	6302408	1		
7	6420034	1	Printplaat	[1]
8	3807518	1	Klem	
9	3803764	1	Rubber seal set 5-7c	

Part Notes:

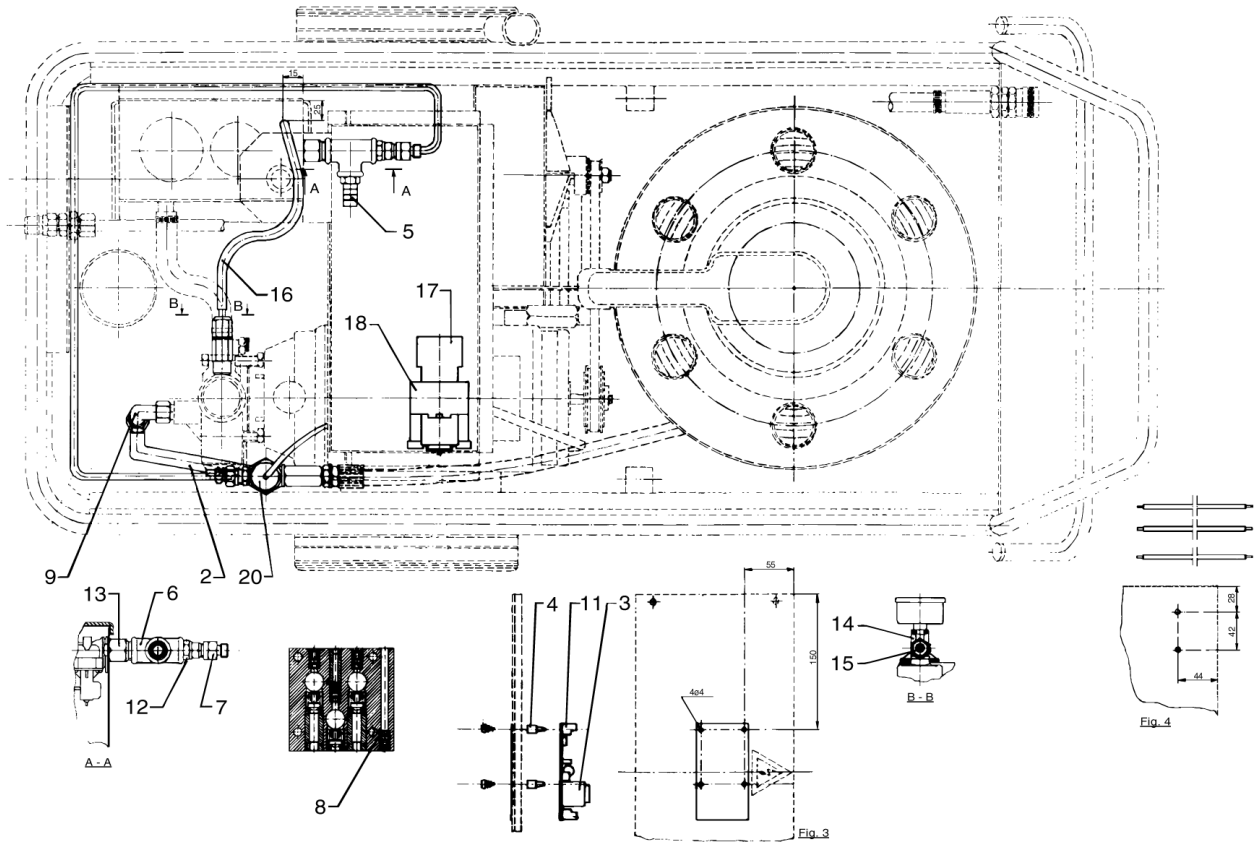
[1] - GUARANTEE DATE EXPIRED



Pos.	Artikelnummer	Hoeveelheid	Omschrijving	Notes
1	106403166	1	Beveiliging laag oliepeil	[1]
2	107141666	1	PCB POSEIDON 5-6-7	
3	107140883	1	Deksel met oliecontact	

Part Notes:

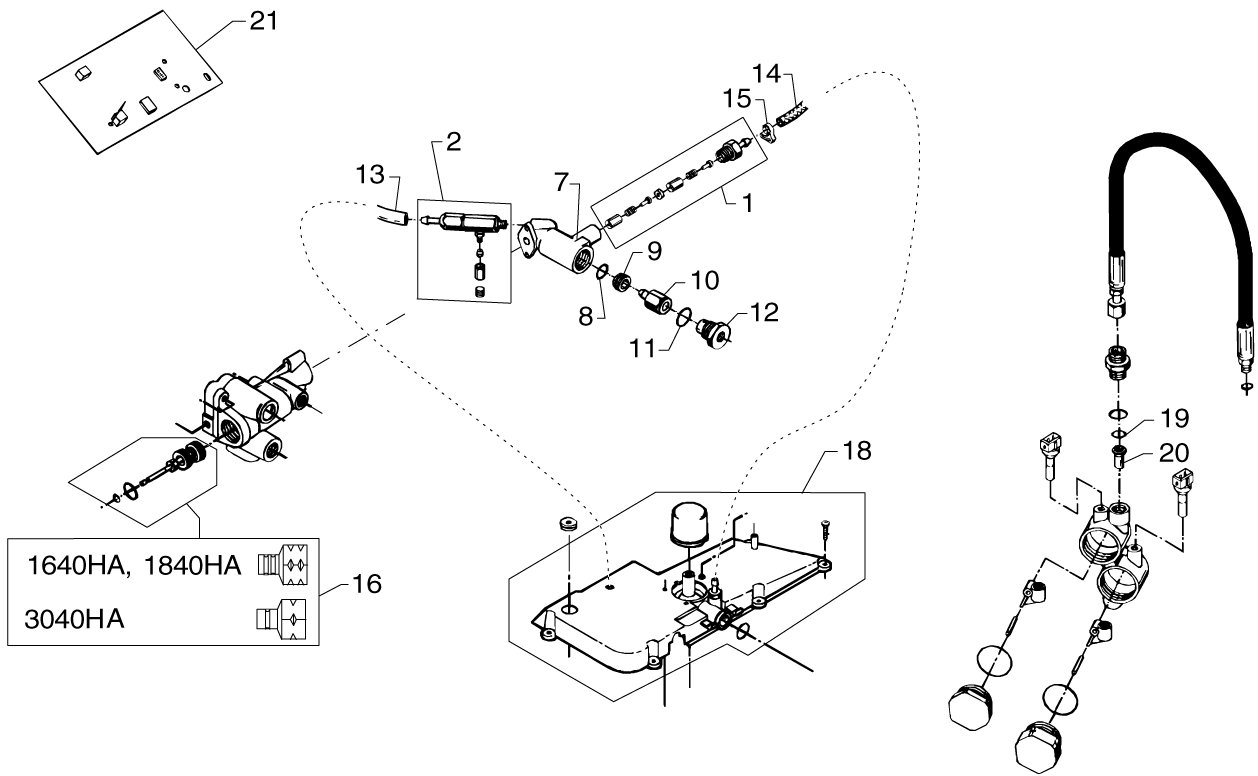
[1] - PRUNED-NO REPLACEMENT



Pos.	Artikelnummer	Hoeveelheid	Omschrijving	Notes
0-		1	Automatic start/stop	[1]
2	6400398	1	PRESSURE PIPE	[2]
3	6400125	1	Printplaat 220/380V	[3]
4	4600771	4	printplaatbevestiging	[4]
5	107318258	1	HOSE SOCKET	
6	1602564	1	T-CONNECTION	
7	6350451	1	Terugslagventiel, links K SA	[5]
8	6200567	1	VALVE SEAT, COMPLETE	
8	6200568	1	VALVE SEAT COMPL.	[6]
8	6402307	1	Zitting	[3]
9	1604487	1	Hoek v. diam. 12	[3]
10	3805421	1	PLUG	[7]
11	3807252	1	PLUG 6-POLES 5MM	
12	1601624	1	BUSHING 1/2X1/4	[8]
13	6402318	1	schroefverbindingstuk	[3]
14	6201668	1	THREADED CONNECTION	
15	6221552	1	Ventiel compleet	
16	106408243	1	Doorzichte slang 1/4-5 m	
17	3806205	1	CONTACT CA3	
18	103822304	1	Contacteur CJX2-D18 18A 230V 3P+NO	[9]
18	3804010	1	CONTACTOR COMPL. CA3-16-10	[10]
20	6402302	1	FLOW CONTROL F. A2V	

Part Notes:

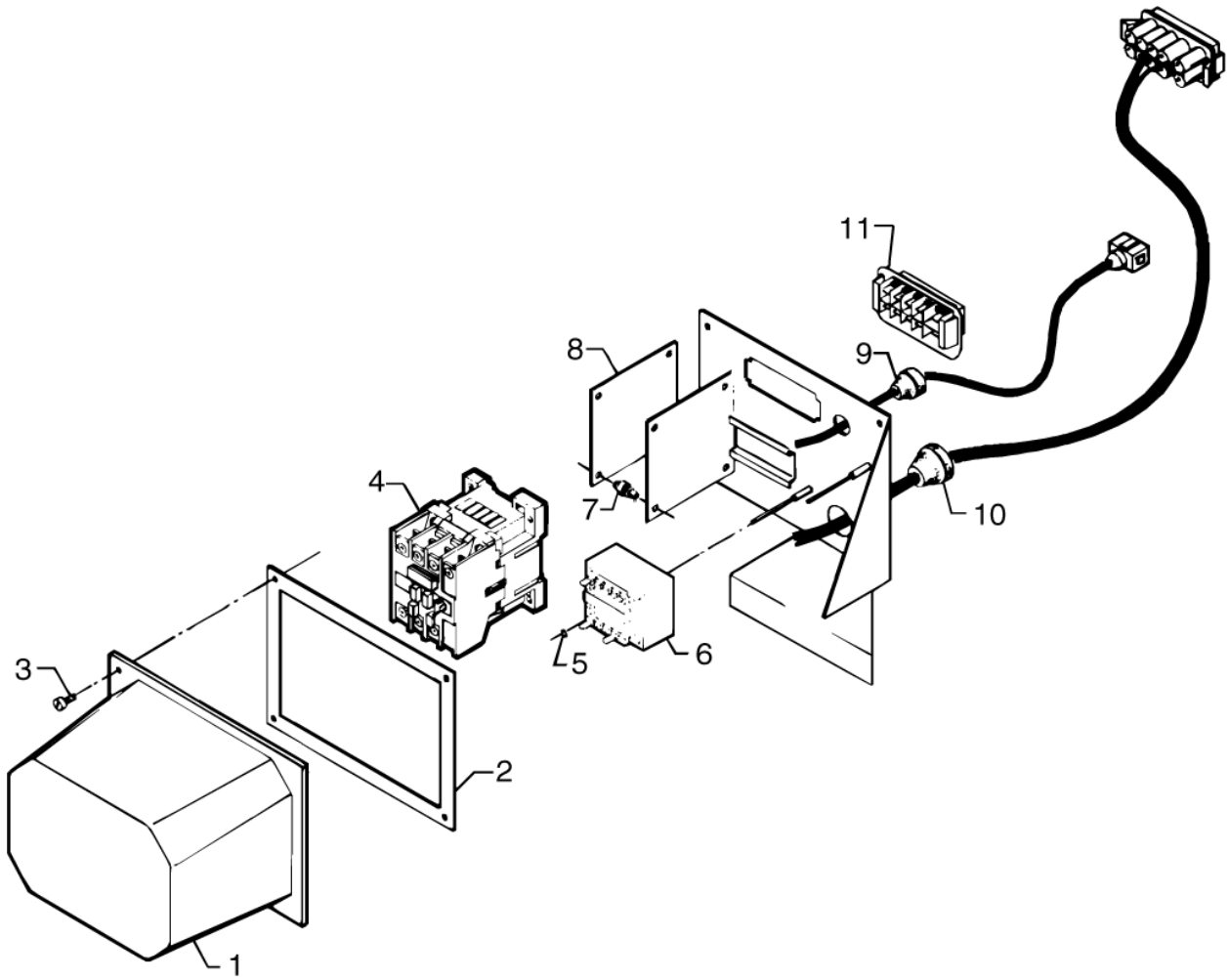
- [1] - Automatic start/stop
- [2] - 02V OUTPHASED YEAR 2003
- [3] - GUARANTEE DATE EXPIRED
- [4] - Subtype local item
- [5] - MACHINE OUTPHASED 2001
- [6] - 02V ACC. OUTPHASED 1997
- [7] - Acc. Outphased 1999
- [8] - 03VS outphased 2001 Subtype local item
- [9] - From 01.01.00
- [10] - Until 31.12.99
3821734 OR 3821735



Pos.	Artikelnummer	Hoeveelheid	Omschrijving	Notes
0-	6401114	1	AUTOMATIC START/STOP COMP. 40H	[1]
1	1119318	1	Rep.set terugsl. ventiel	
2	1119288	1	Rep.set ontl. ventiel	[2]
7	6401819	1	huis voor autom. start/st op	[3]
8	3001112	1	O-Ring 10.0x3.0	
9	6201534	1	Zitting	
10	6350463	1	Zuiger (6350453)	
11	3000825	1	O-Ring 20.24x2.62	
12	6401817	1	Aansluiting Start/Stop 40 HA	[4]
13	106408243	1	Doorzichtige slang 1/4-5 m	
14	4973	1	HOSE Ø6X3	
14	101406100	1	HOSE DN 6X3 5M	
15	1808203	2	HOSE CLAMP	
16	1119247	1	Rep.set ventiel	[5]
16	1119248	1	Rep.set zuiger 3.0 KW.	[6]
18	1119249	1	Reparatieset vlotterdeksel HA	[7]
19	3001799	1	O-Ring 10.3x2.4	[7]
20	6401821	1	Nozzle voor start/stop	[7]
21	6420033	1	Printplaat 3040HA	[8]

Part Notes:

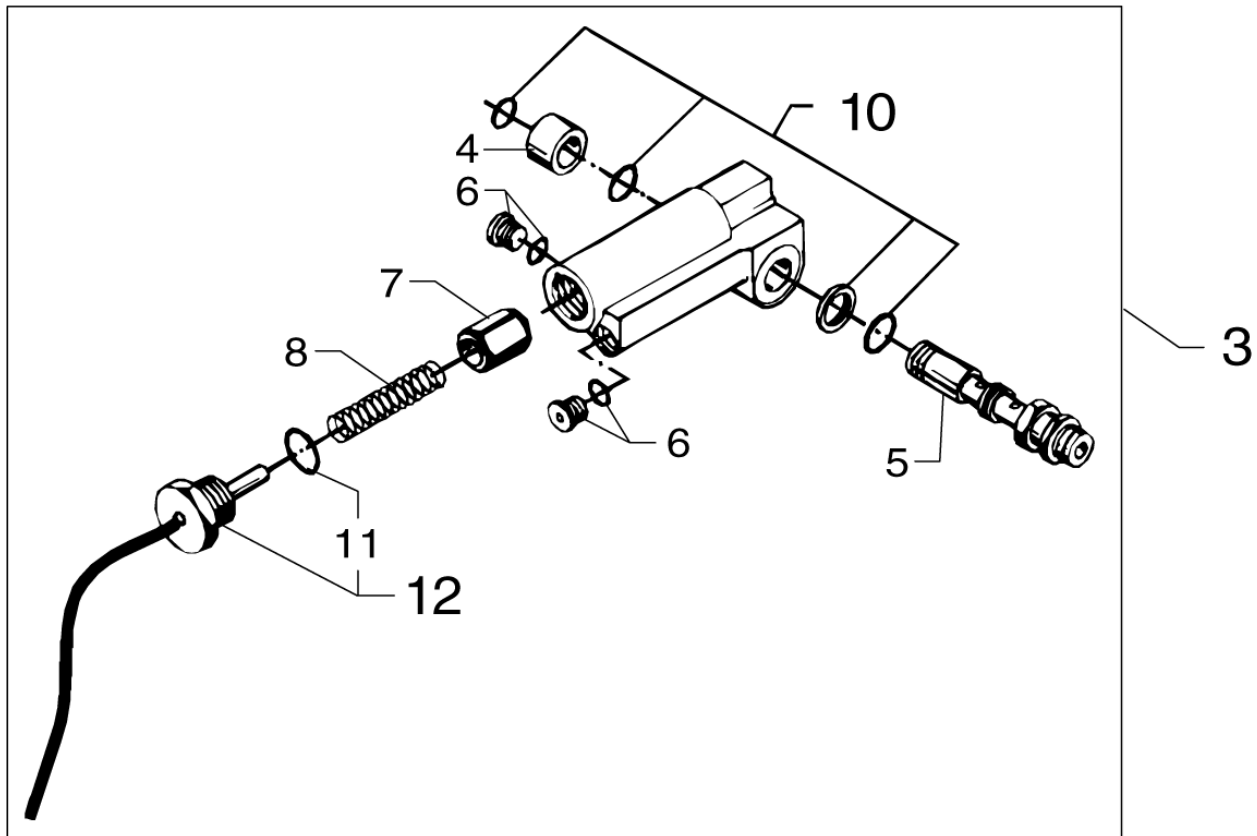
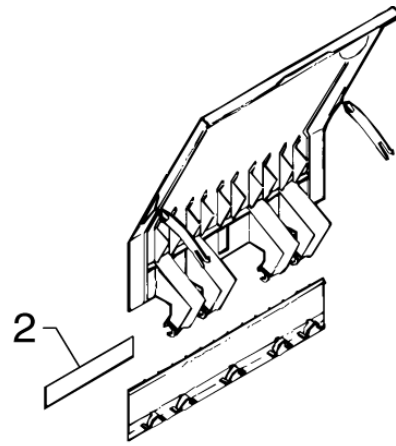
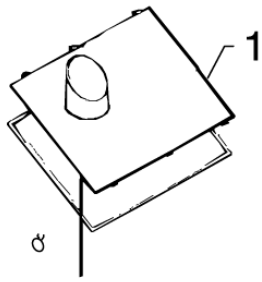
- [1] - 40HA ACC. OUTPHASED 1998
- [2] - CLOSED WHEN STOCK EMPTY
- [3] - 40HA OUTPHASED YEAR 2005
- [4] - 40HA OUTPHASED 2004
- [5] - 08-, 16-, 1840HA
CLOSED WHEN STOCK EMPTY
- [6] - 3040HA
STOCK COVERS GUARANTEE
- [7] - GUARANTEE DATE EXPIRED
- [8] - See STI No MPW-089



Pos.	Artikelnummer	Hoeveelheid	Omschrijving	Notes
0-	6409106	1	MOUNTING INSTR. F. KIT 40CA	
0-	1119615	1	KIT, CONNECTION BOX 3X415-440	[1]
0-	1119614	1	KIT. CONNECTION BOX 3X380/50 S	[2]
0-	1119618	1	CONNECTION BOX,COMP 3X230/60HZ	[3]
1	6222747	1	BOX FOR ELPARTS	[4]
2	6222749	1	afdichting voor elbox	[5]
3	1803956	4	Bout	
4	103822317	1	CONTACTOR CJX2-D32-B7 24V	[6]
4	103822313	1	CONTACTOR 12-25A 50/60HZ	[7]
4	3804051	1	Use 3821732 contactor	[4]
5	1805563	2	afsluitring	[8]
6	3819778	1	Veiligheids transformator 24 V	[9]
6	3819794	1	SAFETY TRANSFORMER 24V	[10]
6	3819786	1	Besturingstrafo 380V-24V	[11]
6	3819760	1	Besturingstrafo 220V-24V	[12]
6	3819844	1	SAFETY TRANSFORMER 24V	[13]
7	3821318	1	PLUG F.CIRCUIT BOARD	
8	6420012	1	Printplaat auto/start/sto p	[14]
9	3803764	1	Rubber seal set 5-7c	
10	3803798	1	Rubberbus TET 14-20C	[15]
10	3803780	1	rubberbus-tet 10-14 C	
11	3820206	1	MOTOR PLUG. DELTA CONNECT	[14]
11	3820214	1	verbindingsblokje (ster)	[16]

Part Notes:

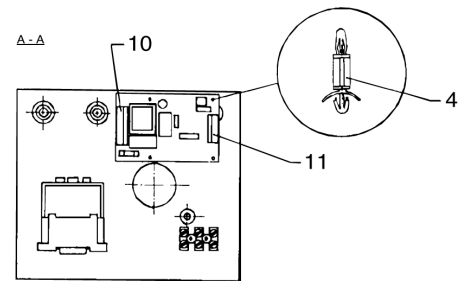
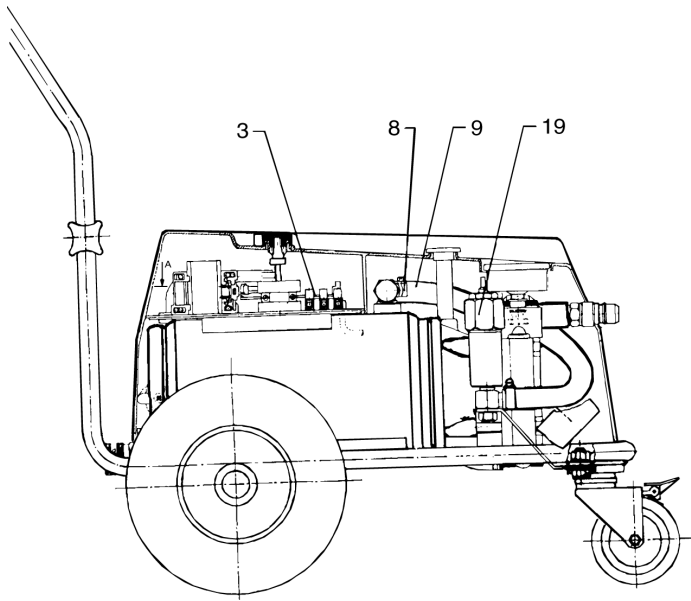
- [1] - 3x415-440V, 50-60Hz Y
- [2] - 3x4380, 50Hz Y
See STI MPW/SPW-015
- [3] - 3x230V 60Hz Delta
- [4] - NO LONGER AVAILABLE
- [5] - CLOSED WHEN STOCK EMPTY
- [6] - Until 31.12.99
- [7] - From 01.01.00
- [8] - 03V/C3V OUTPHASED 2003
- [9] - 3x230V 60Hz, 1x240V 50Hz
GUARANTEE DATE EXPIRED
- [10] - 3x415-440V
GUARANTEE DATE EXPIRED
- [11] - 3x380V
GUARANTEE DATE EXPIRED
- [12] - 3x220V 60Hz, 1x220V 60Hz
02V OUTPHASED 2001
- [13] - 3x200V
- [14] - GUARANTEE DATE EXPIRED
- [15] - (110/115V)
- [16] - VALIANT OUTPHASED 1997



Pos.	Artikelnummer	Hoeveelheid	Omschrijving	Notes
0-	1119636	1	LABEL/FLOW SWITCH 1740CA	
0-	1119638	1	LABEL/FLOW SWITCH 3340CA	
0-	1119637	1	LABEL/FLOW SWITCH 2040CA	
1	6180958	1	CONTROL PANEL REF. 63&65	[1]
1	6180960	4	Instrumentpaneel 4040CA	[2]
1	6180957	1	CONTROL PANEL REF. 63&65	[3]
2	4209557	1		[4]
2	4209559	1	LOGO 3340CA ALTO	[5]
2	4209558	1		[6]
3	6180414	2	Flow switch compleet 40CA	[7]
4	6181473	1	DISTANCE SPACER	[8]
5	6181474	1	Draadbus	[7]
6	6180913	1	Plug met o-ring	[9]
7	6350454	1	Zuiger	
8	2602373	1	SPRING	[7]
10	6180414	1	Flow switch compleet 40CA	[7]
11	3000825	1	O-Ring 20.24x2.62	
12	1119817	1	REED SWITCH COMPL.	[8]

Part Notes:

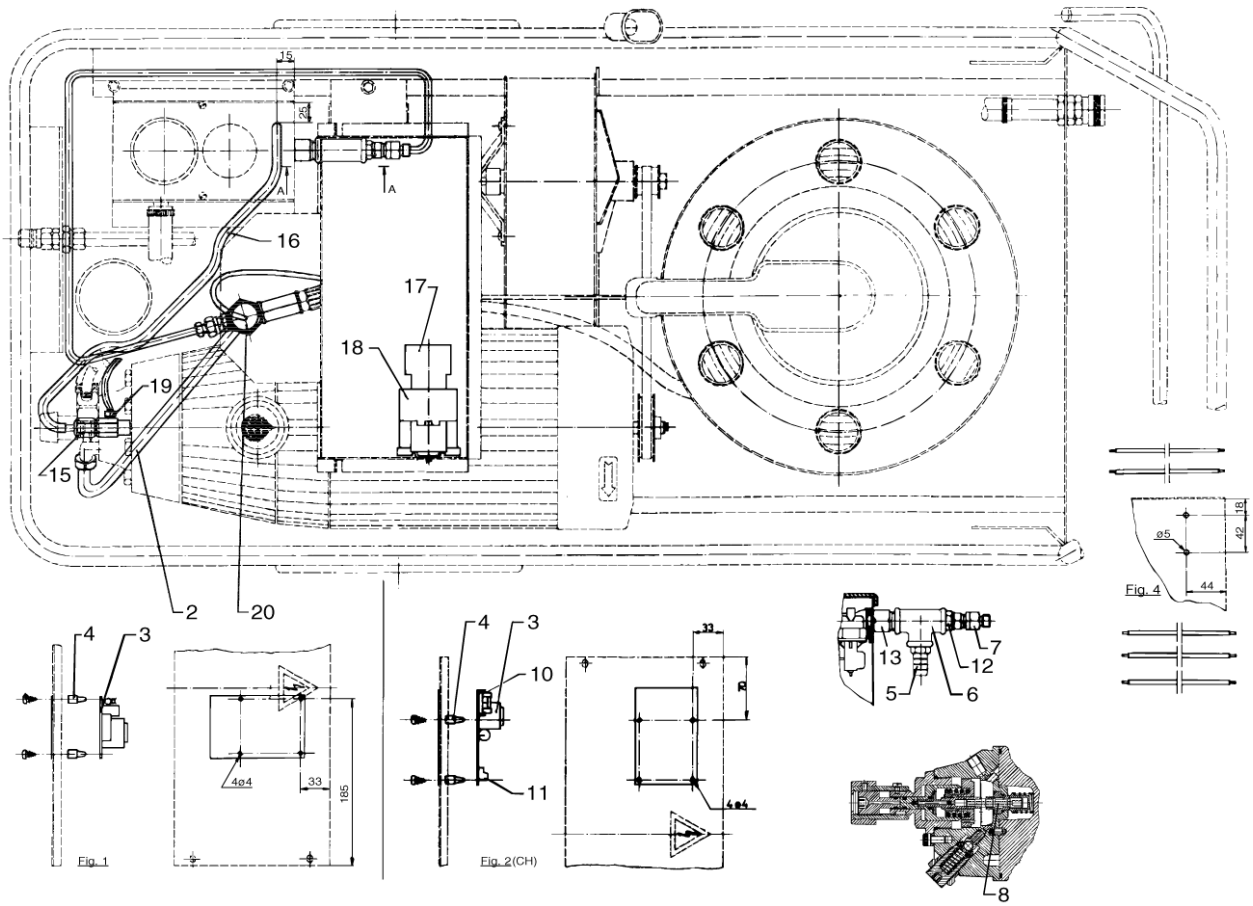
- [1] - 2040CA
2040C Outphased 1997
- [2] - 3340CA
CLOSED WHEN STOCK EMPTY
- [3] - 1740CA
MACHINE OUTPHASED 1998
- [4] - 1740CA
- [5] - 3340CA
- [6] - 2040CA
- [7] - CLOSED WHEN STOCK EMPTY
- [8] - 40CA outphased 1999
- [9] - STOCK COVERS GUARANTEE



Pos.	Artikelnummer	Hoeveelheid	Omschrijving	Notes
0-		1	Automatic s/s A2K	[1]
0-	6409056	1	INSTRUCTIONS F.INSTALLATION	
3	6400125	1	Printplaat 220/380V	[2]
4	4601043	4	RICHO CIRCUIT BOARD	
5	3803764	1	Rubber seal set 5-7c	
6	3803772	1	RubberBus Tet 7-10C	
7	3803780	1	rubberbus-tet 10-14 C	
8	1805100	1	Klem voor slang	
9	5206065	1	Luchtdrukslang 1/2	
10	3805421	1	PLUG	[3]
11	3807252	1	PLUG 6-POLES 5MM	
19	6402305	1	FLOW CONTROL AUT.START/STOP	[4]
20	6402304	1	CONNECTION F. FLOW CONTROL	
21	1605013	1	HOSE SOCKET F. FLOW CONTROL	
22	6350454	1	Zuiger	
23	3000825	1	O-Ring 20.24x2.62	
24	6221773	1	Reedcontact kompl.	

Part Notes:

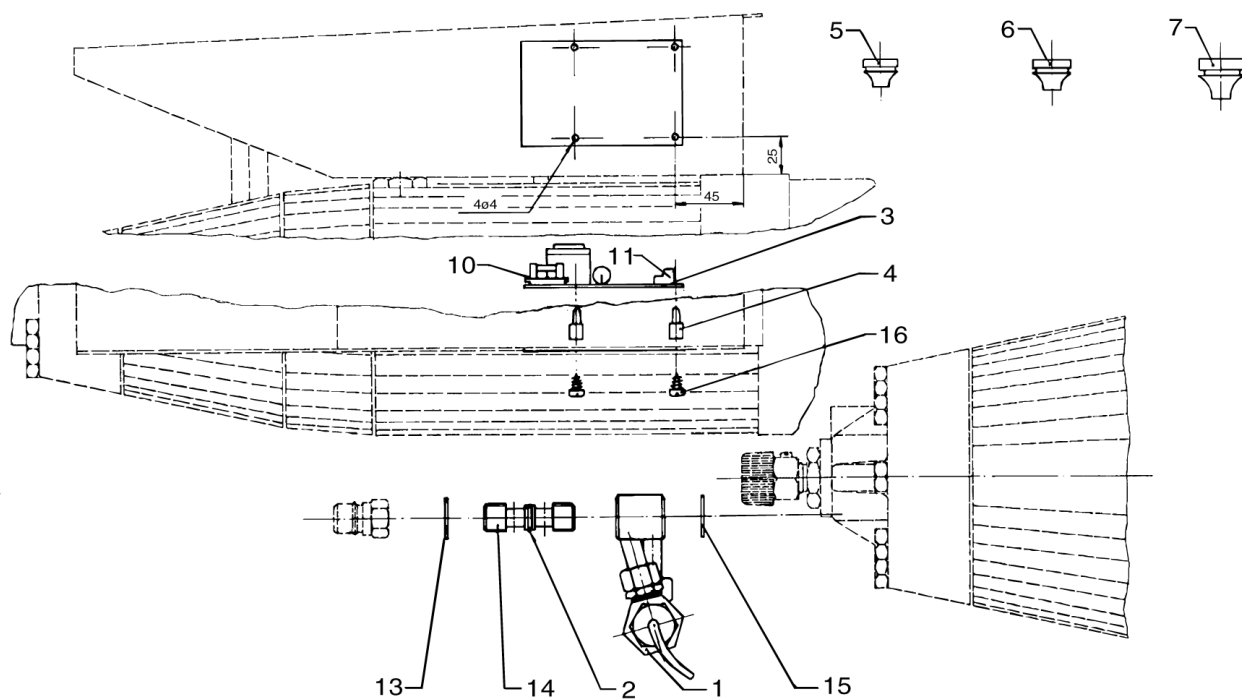
- [1] - Automatic s/s A2K
- [2] - GUARANTEE DATE EXPIRED
- [3] - Acc. Outphased 1999
- [4] - A2KL OUTPHASED 1994



Pos.	Artikelnummer	Hoeveelheid	Omschrijving	Notes
2	6401300	1	Pijp	[1]
3	6400125	1	Printplaat 220/380V	[2]
4	4600771	4	printplaatbevestiging	[3]
5	107318258	1	HOSE SOCKET	
6	1602564	1	T-CONNECTION	
7	6350451	1	Terugslagventiel, links K SA	[4]
8	6400143	1	Ventielkegel	
10	3805421	1	PLUG	[5]
11	3807252	1	PLUG 6-POLES 5MM	
12	1601624	1	BUSHING 1/2X1/4	[6]
13	6402318	1	schroefverbindingstuk	[2]
15	6221552	1	Ventiel compleet	
16	106408243	1	Doorzichte slang 1/4-5 m	
17	3806205	1	CONTACT CA3	
18	3804010	1	CONTACTOR COMPL. CA3-16-10	[7]
18	103822304	1	Contacteur CJX2-D18 18A 230V 3P+NO	[8]

Part Notes:

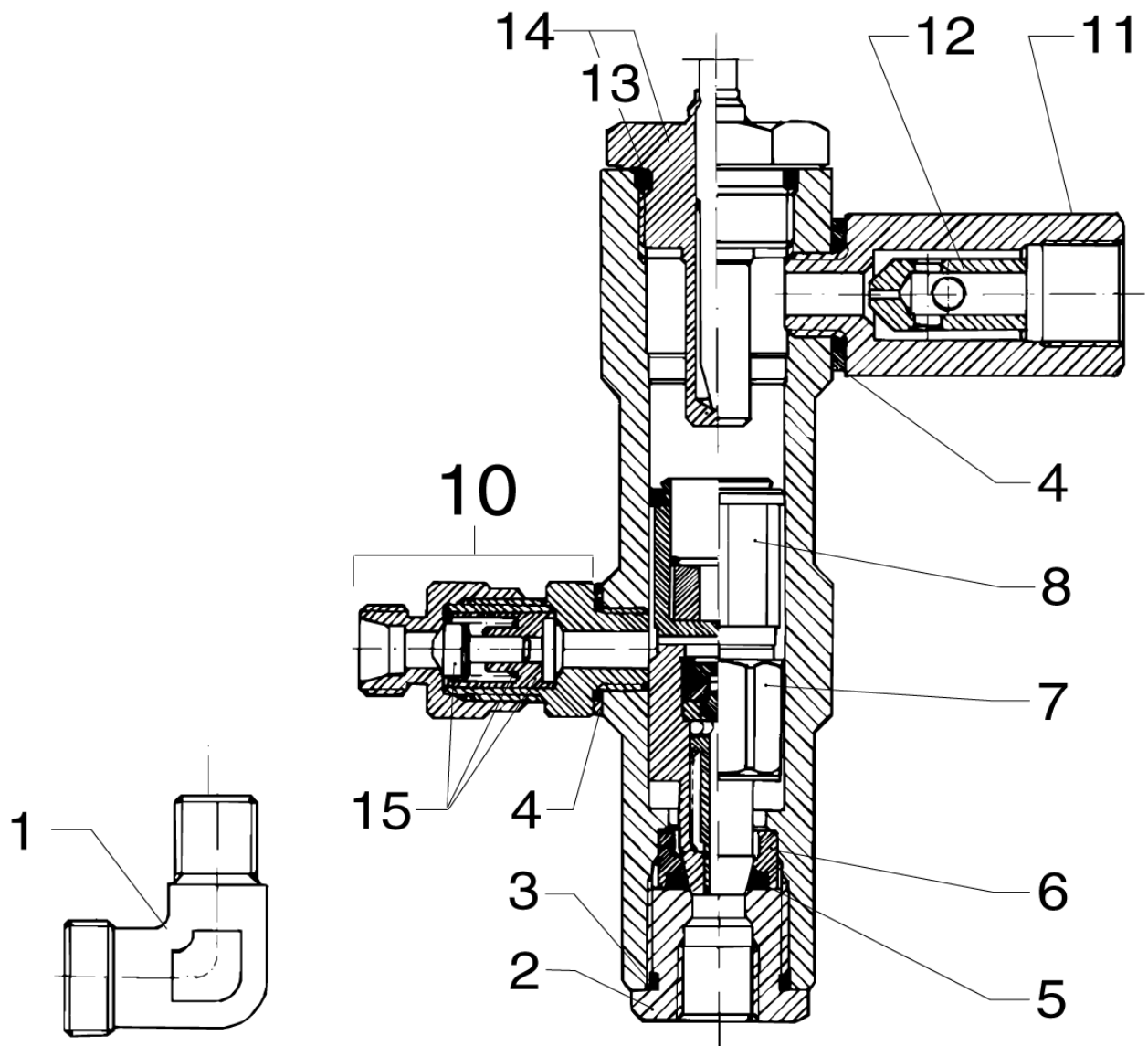
- [1] - MACHINE VERS. OUTPH. 1990
- [2] - GUARANTEE DATE EXPIRED
- [3] - Subtype local item
- [4] - MACHINE OUTPHASED 2001
- [5] - Acc. Outphased 1999
- [6] - 03VS outphased 2001 Subtype local item
- [7] - UP TO 31.12.99
3821734 OR 3821735
- [8] - FROM 01.01.00



Pos.	Artikelnummer	Hoeveelheid	Omschrijving	Notes
0-		1	Automatic s/s 03K	[1]
0-	6409016	1	MOUNTING INSTRUCTIONS	[2]
2	3001682	1	O-Ring 12,3 x 2,4	
3	6400125	1	Printplaat 220/380V	[3]
4	4600771	4	printplaatbevestiging	[4]
5	3803764	1	Rubber seal set 5-7c	
6	3803772	1	RubberBus Tet 7-10C	
7	3803780	1	rubberbus-tet 10-14 C	
10	3805421	1	PLUG	[5]
11	3807252	1	PLUG 6-POLES 5MM	
13	1801075	1	Dichtingsring 3/8 inch	
14	6400712	1	Inzetstuk leiding	[3]
15	3000064	1	O-Ring 14.1x1.6	
16	101814797	4	Bout M5x12	[6]
19		1	Until 02.02.93	[7]
27	6401692	1	SCREW. CON. F. CUTTING RING	[8]
28	6350454	1	Zuiger	
29	3000825	1	O-Ring 20.24x2.62	
30	6221773	1	Reedcontact kompl.	[9]
31	6403461	1	Flow switch	[10]
32	6180913	2	Plug met o-ring	[6]
33	6350454	1	Zuiger	
34	3000825	1	O-Ring 20.24x2.62	
35	6221773	1	Reedcontact kompl.	

Part Notes:

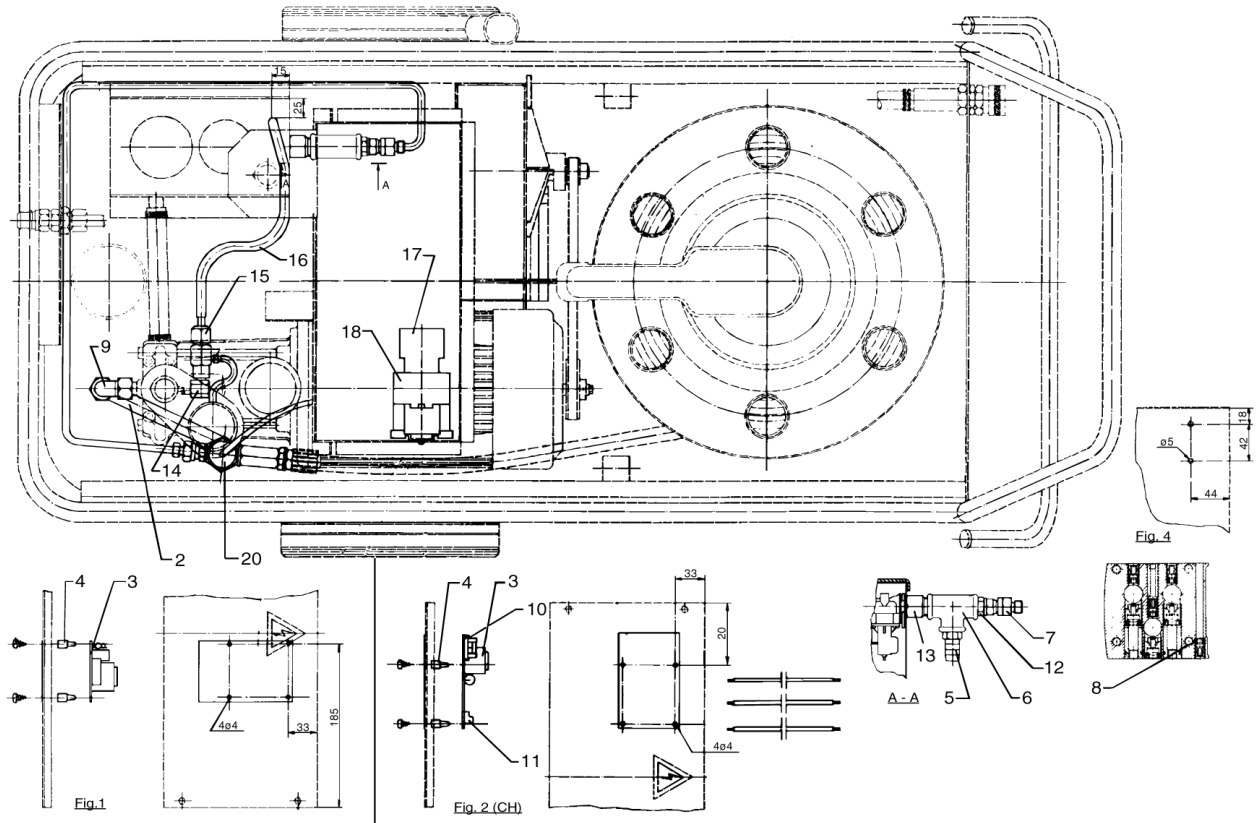
- [1] - Automatic s/s 03K
- [2] - OUTPHASED, NO SUBSTITUTE
- [3] - GUARANTEE DATE EXPIRED
- [4] - Subtype local item
- [5] - Acc. Outphased 1999
- [6] - STOCK COVERS GUARANTEE
- [7] - Until 02.02.93
- [8] - PROF. ACC. OUTPHASED 1999
- [9] - From 03.02.93
- [10] - NO LONGER AVAILABLE



Pos.	Artikelnummer	Hoeveelheid	Omschrijving	Notes
0-		1	Flow switch, complett	[1]
1	1603119	1	Elleboog	
2	6300438	1	Moer (6300254)	[2]
3	3000262	1	O-Ring 18.0x2.0	[2]
4	1803493	1	pakkingring	
5	3001112	1	O-Ring 10.0x3.0	
6	6350625	1	O-Ring	[2]
7	6350463	1	Zuiger (6350453)	
8	6350454	1	Zuiger	
10	6350452	1	NON RETURN VALVE RIGHT KSA	[3]
11	6220530	1	Huis	
12	6101038	1	Zuiger v. terugslagventiel	
13	3000825	1	O-Ring 20.24x2.62	
14	6221773	1	Reedcontact kompl.	
15	1119566	1	Rep.set terugslagklep	

Part Notes:

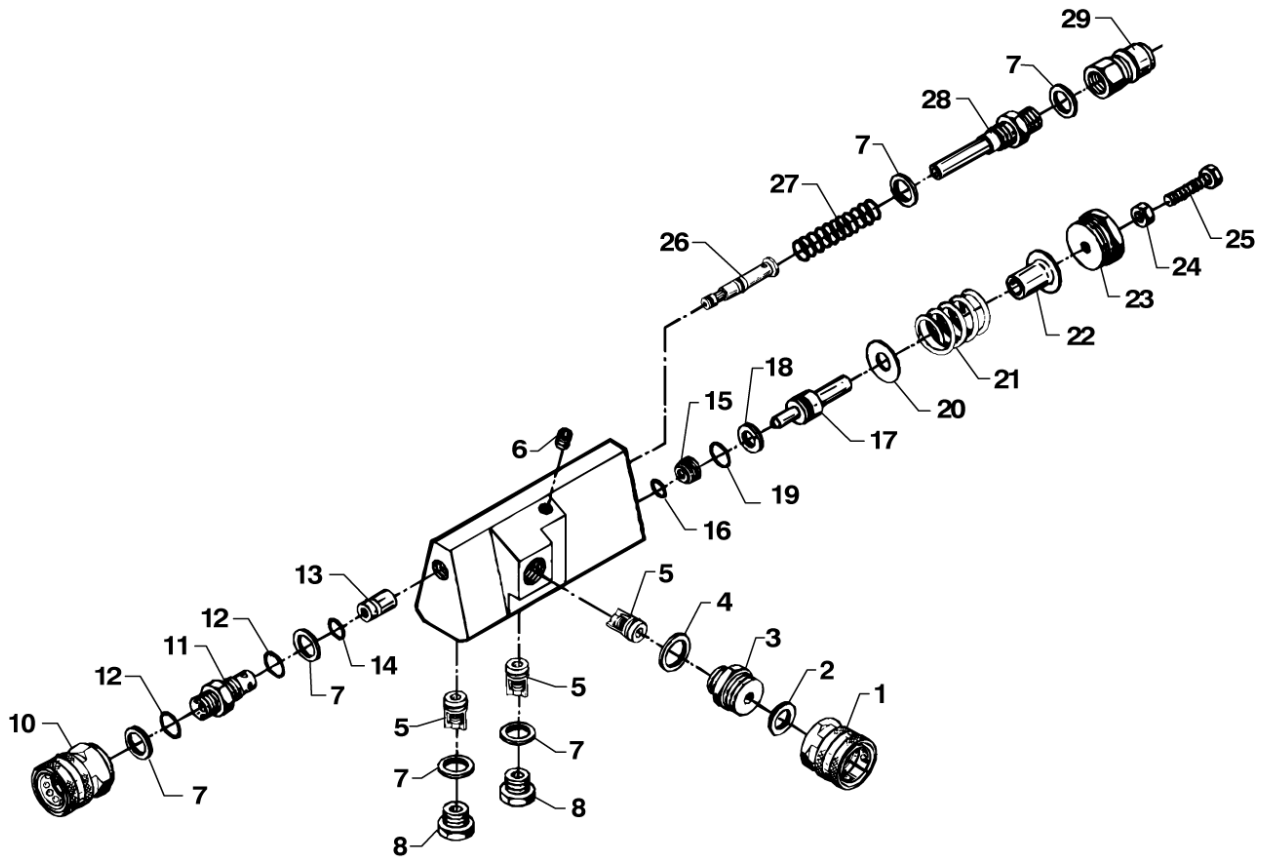
- [1] - Flow switch, complett
- [2] - GUARANTEE DATE EXPIRED
- [3] - 02VS OUTPHASED 2001



Pos.	Artikelnummer	Hoeveelheid	Omschrijving	Notes
0-		1	AUTOMATIC s/s 02V	[1]
2	6400398	1	PRESSURE PIPE	[2]
3	6400125	1	Printplaat 220/380V	[3]
4	4600771	4	printplaatbevestiging	[4]
5	107318258	1	HOSE SOCKET	
6	1602564	1	T-CONNECTION	
7	6350451	1	Terugslagventiel, links K SA	[5]
8	6200567	1	VALVE SEAT, COMPLETE	
8	6200568	1	VALVE SEAT COMPL.	[6]
8	6402307	1	Zitting	[3]
9	1604487	1	Hoek v. diam. 12	[3]
10	3805421	1	PLUG	[7]
11	3807252	1	PLUG 6-POLES 5MM	
12	1601624	1	BUSHING 1/2X1/4	[8]
13	6402318	1	schroefverbingsstuk	[3]
14	6201667	1	THREADED CONNECT.VENTING	[9]
15	6221552	1	Ventiel compleet	
16	106408243	1	Doorzichte slang 1/4-5 m	
17	3806205	1	CONTACT CA3	
18	103822304	1	Contacteur CJX2-D18 18A 230V 3P+NO	[10]
18	3804010	1	CONTACTOR COMPL. CA3-16-10	[11]

Part Notes:

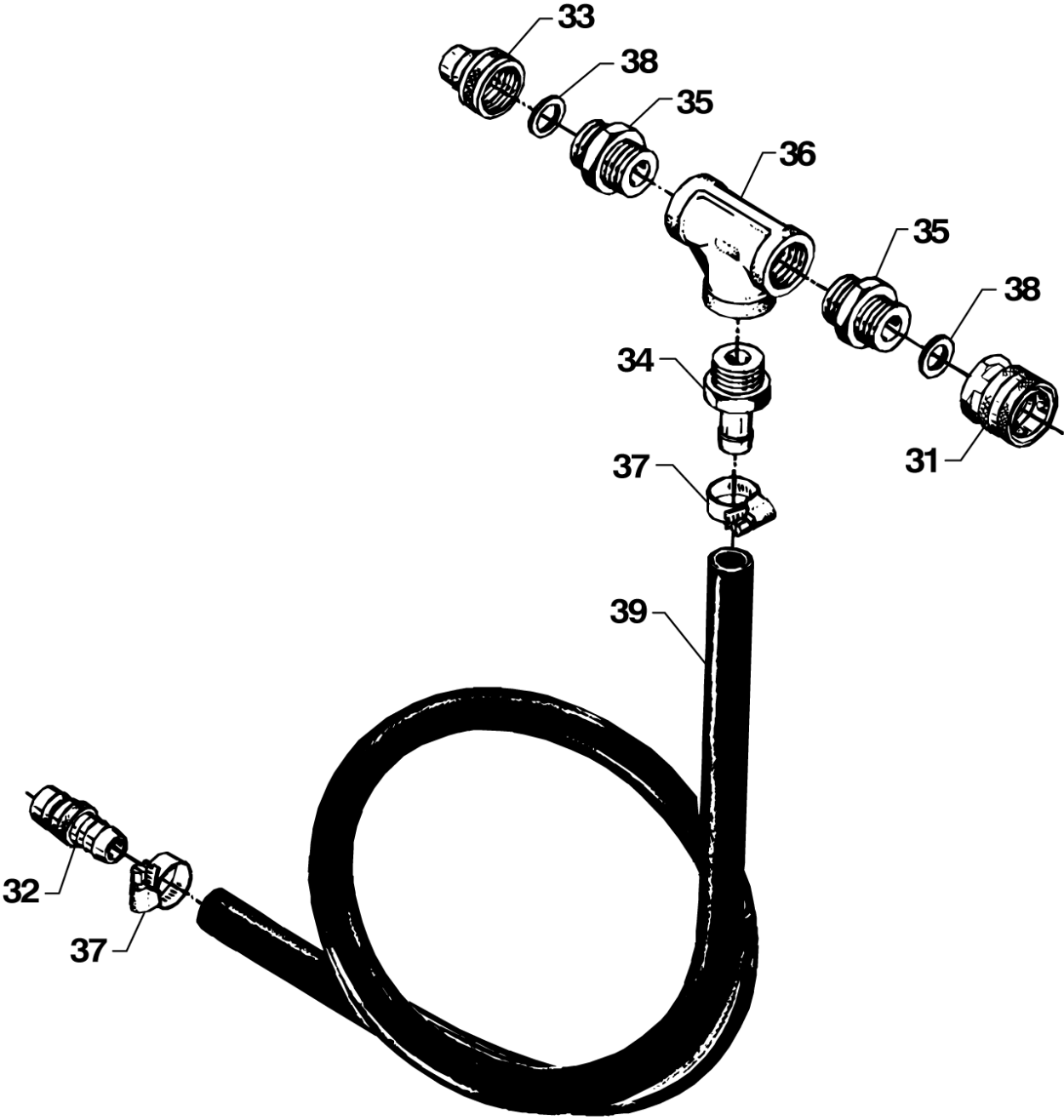
- [1] - Automatic s/s 02V
- [2] - 02V OUTPHASED YEAR 2003
- [3] - GUARANTEE DATE EXPIRED
- [4] - Subtype local item
- [5] - MACHINE OUTPHASED 2001
- [6] - 02V ACC. OUTPHASED 1997
- [7] - Acc. Outphased 1999
- [8] - 03VS outphased 2001 Subtype local item
- [9] - FOR ACCESSORY OUTPH. 2002
- [10] - FROM 01.01.00
- [11] - UNTIL 31.12.99
3821734 OR 3821735



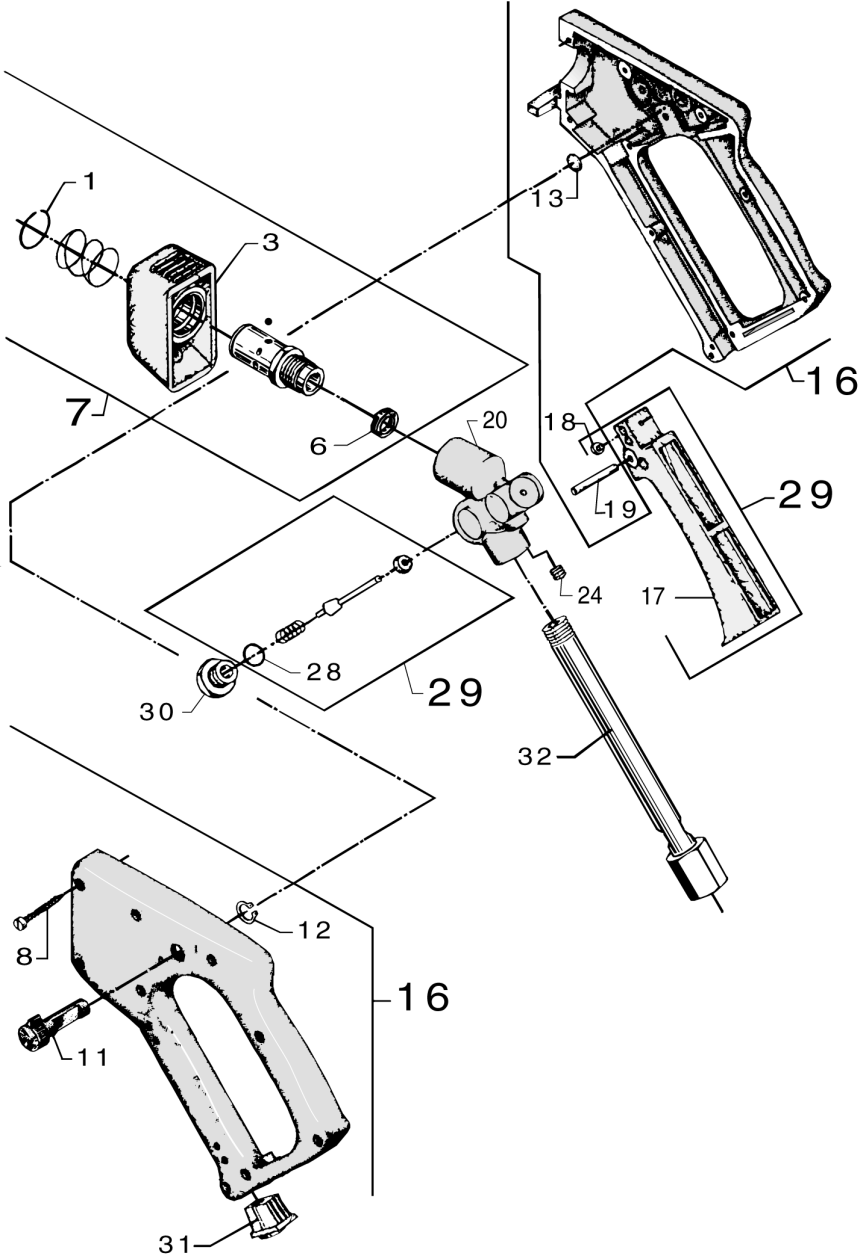
Pos.	Artikelnummer	Hoeveelheid	Omschrijving	Notes
0-	6403491	1	HOUSING FOR FLOWBOOSTER COMPL.	
1	1602945	1	Toevoerkoppeling vrouwelijk	
2	3001237	1	Pakking +24,5x16x3	
3	6401834	1	INTERMEDIATE PIECE	
4	1807932	1	SELF-SEALING WASHER	
5	1119663	1	REP.KIT VALVE F. FLOWBOOSTER	[1]
6	1602333	1	PLUG 1/8 INCH	
7	1801075	1	Dichtingsring 3/8 inch	
8	6401835	1		
10	106402075	1	Snelkoppeling 3/8 inch ERGO vrouwelijk	
11	6401842	1		
12	3000064	1	O-Ring 14.1x1.6	
13	6401841	1	SEAT	
14	13739	1	O-Ring 10X2	
15	6401844	1		
16	3000072	1	O-Ring 10,1x1,6 nitril 70 sh	
17	6300267	1	CONE	
18	3001260	1	Ring 0136-24	[2]
19	3001252	1	O-Ring 13,6x2,4 nitril 70 sh	[3]
20	6401845	1		
21	2602407	1	SPRING F.FLOWBOOSTER	
22	6401846	1		
23	6401847	1		
24	2758	1	Moer M8	
25	1800150	1	Bout 8 x 30	
26	1119664	1	DISCONTINUED	
27	2602399	1	SPRING	
28	6401837	1		
29	1603101	1	Snelkoppeling RVS 3/8 inch	

Part Notes:

- [1] - FLOWBOOSTER OUTPH. 1999
- [2] - FLOWBOOSTER OUTPH. 2000
- [3] - STOCK COVERS GUARANTEE



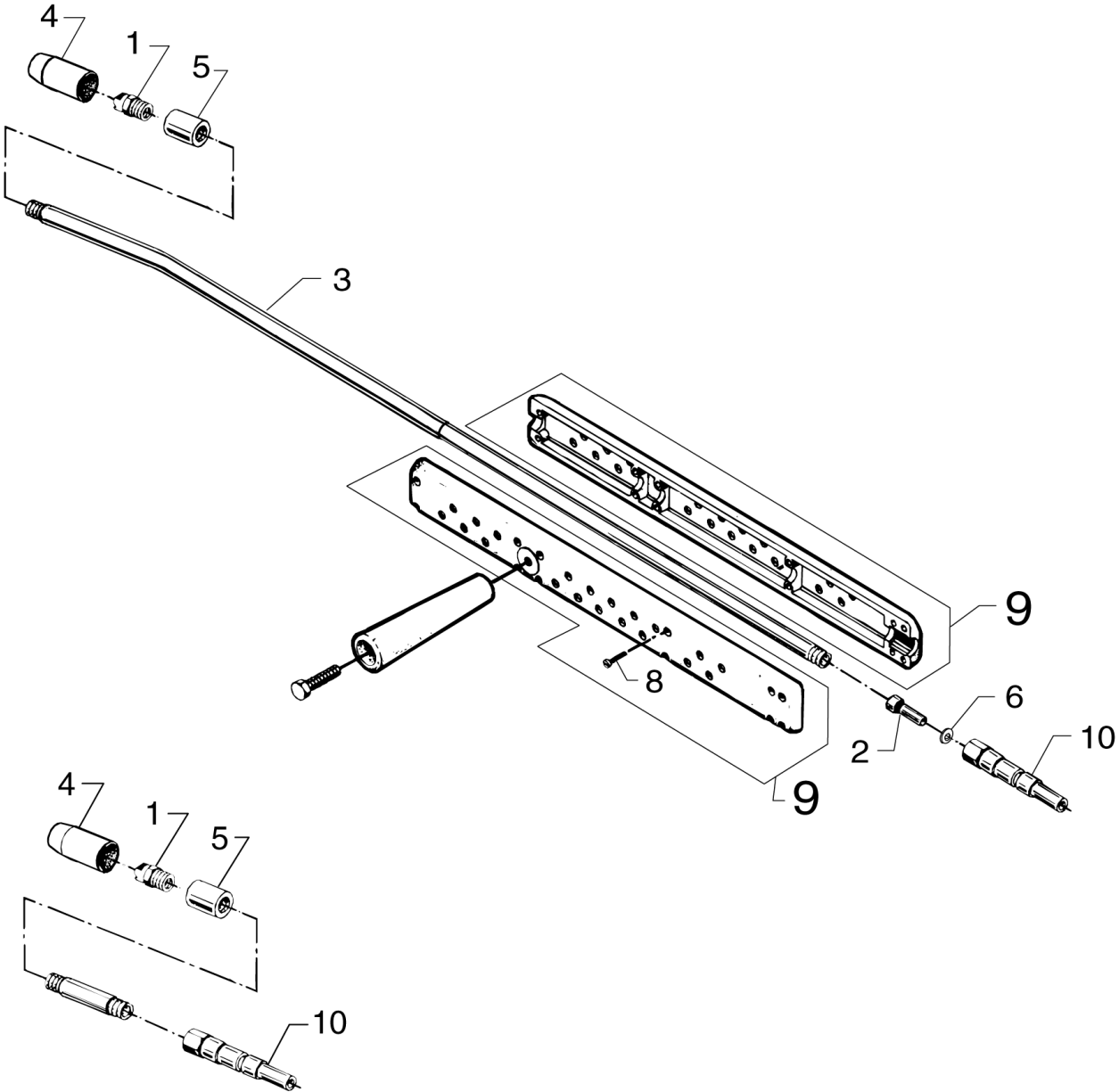
Pos.	Artikelnummer	Hoeveelheid	Omschrijving	Notes
30	6403492	1	SUCTION HOSE F. FLOWBOOSTER	
31	1602945	1	Toevoerkoppeling vrouwelijk	
32	1602473	1	KOPPELING M-DEEL 1/2 INCH	
33	1602796	1	Snelkoppeling nippel	
34	1609098	1		
35	1609171	2	HEXAGON NIPPLE	
36	1610385	1	T-PIECE	
37	1810191	2	slangklem	
38	3001237	2	Pakking +24,5x16x3	
39	106408242	1	HOSE 5/8INCH - 2 METERS	



Pos.	Artikelnummer	Hoeveelheid	Omschrijving	Notes
1	1800192	1	Borgring 18.2x2	
3	4000444	1	SLIP SORT	
6	3000924	1	Manchet	
7	1118066	1	Rep.set v. pistoolneus	
8	101814698	9	Schroef K30x16	
11	4000063	1	Borgbout	
12	1800200	1	Seger-ring	
13	4600730	1	FOAM WASHER FOR SAFETY/SPRAY	
16	1118108	1	Rep.set v. pistool	
17	4000445	1	HANDGREEP VOOR KLEP ZWART	
18	3400413	1	Drukknip	
19	3400421	1	Pasp	
20	6401840	1	VALVE HOUSING	
24	6401848	1	PLUG	
28	3000064	1	O-Ring 14.1x1.6	
29	1119662	1	KIT VALVE HOUSING SPRAY HANDLE	[1]
30	6401839	1	PLUG	
31	6401746	1	Adapter	
32	1405398	1	Draaibare koppeling incl. pijp	

Part Notes:

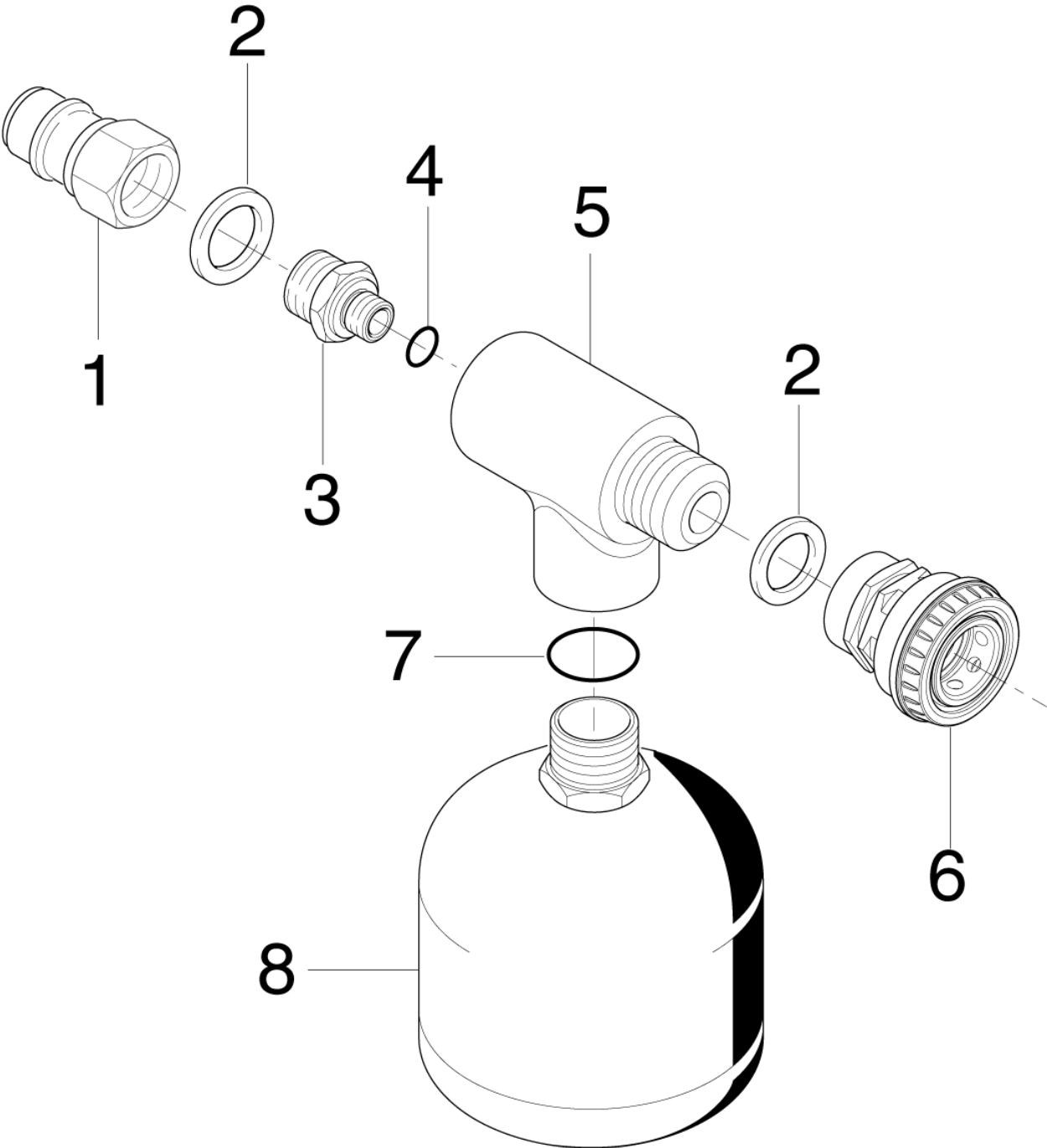
[1] - FLOWBOOSTER OUTPH. 1999



Pos.	Artikelnummer	Hoeveelheid	Omschrijving	Notes
1	2802680	1	NOZZLE FOR FLOWBOOSTER 4030	[1]
3	2404366	1	Buis voor mondstuk	[2]
3	106408245	1	PRESSURE PIPE A2 930MM - BENDED	
3	2404341	1	Tube f. nozzle, 1=50 mm	[3]
4	2800076	1	Beschermddop enkel	
5	1603950	1	MOF 1/4 INCH	
8	101814698	12	Schroef K30x16	
9	1118009	1	Rep.set v. spuitlans	
10	1609325	1	Lijnkoppeling RF	
11	1800150	1	Bout 8 x 30	
12	4000014	1	Handgreep	

Part Notes:

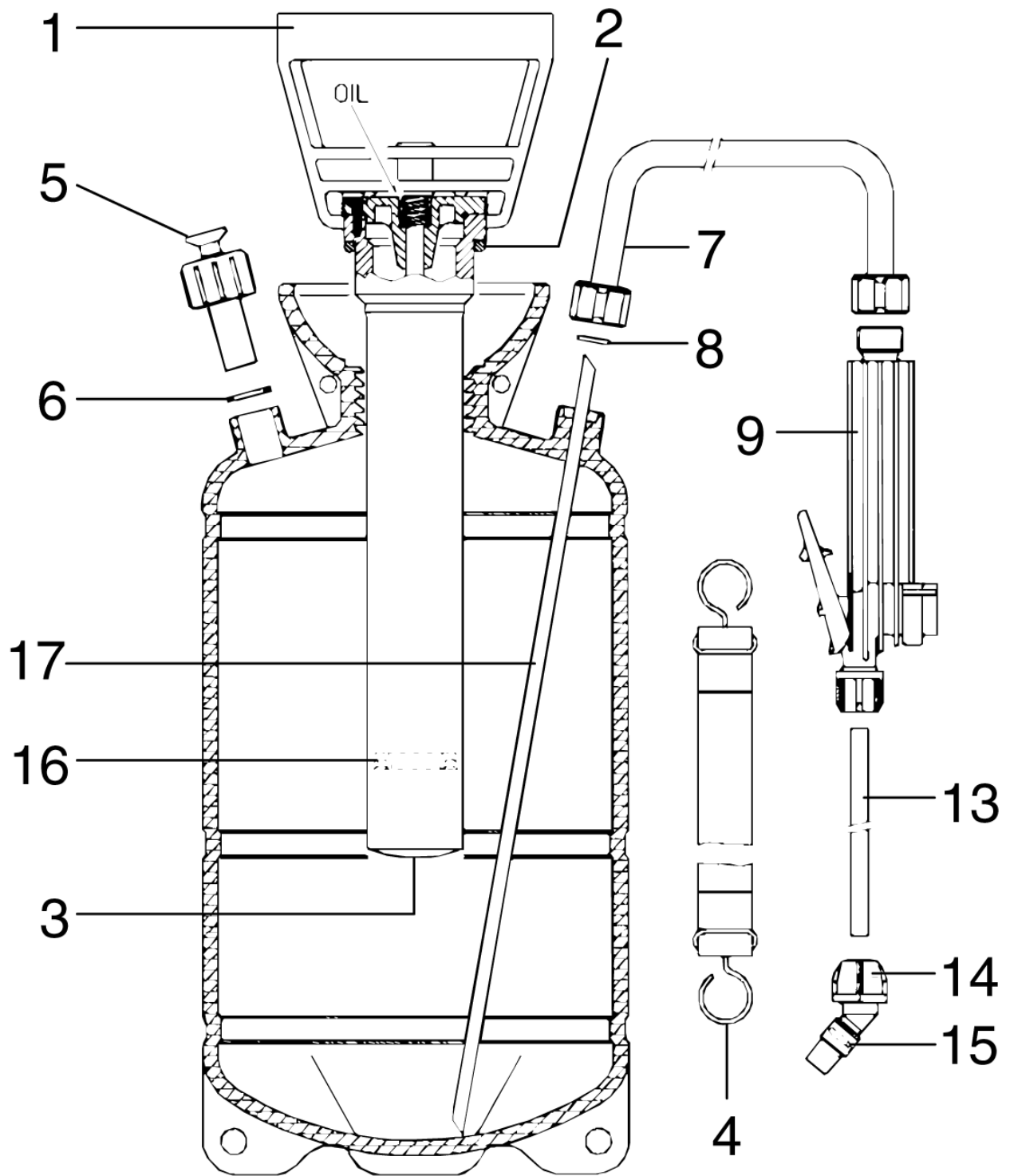
- [1] - FLOWBOOSTER OUTPH. 1999
- [2] - CLOSED WHEN STOCK EMPTY
- [3] - NO LONGER AVAILABLE



Pos.	Artikelnummer	Hoeveelheid	Omschrijving	Notes
0-	6400085	1	Drukregelaar voor station aire	[1]
1	1600493	1	Snelkoppeling mannelijk 3/8 inch	
2	1801075	1	Dichtingsring 3/8 inch	
3	6150675	1	Overloop	
4	3001484	1	O-Ring 11.0x2.0	
5	106401970	1	HOUSING FOR VIBRATION DAMPER	[2]
6	106402075	1	Snelkoppeling 3/8 inch ERGO vrouwelijk	
7	3003860	1	O-Ring 13.95x2.62	
8	63090	1	Drukaccumulator	

Part Notes:

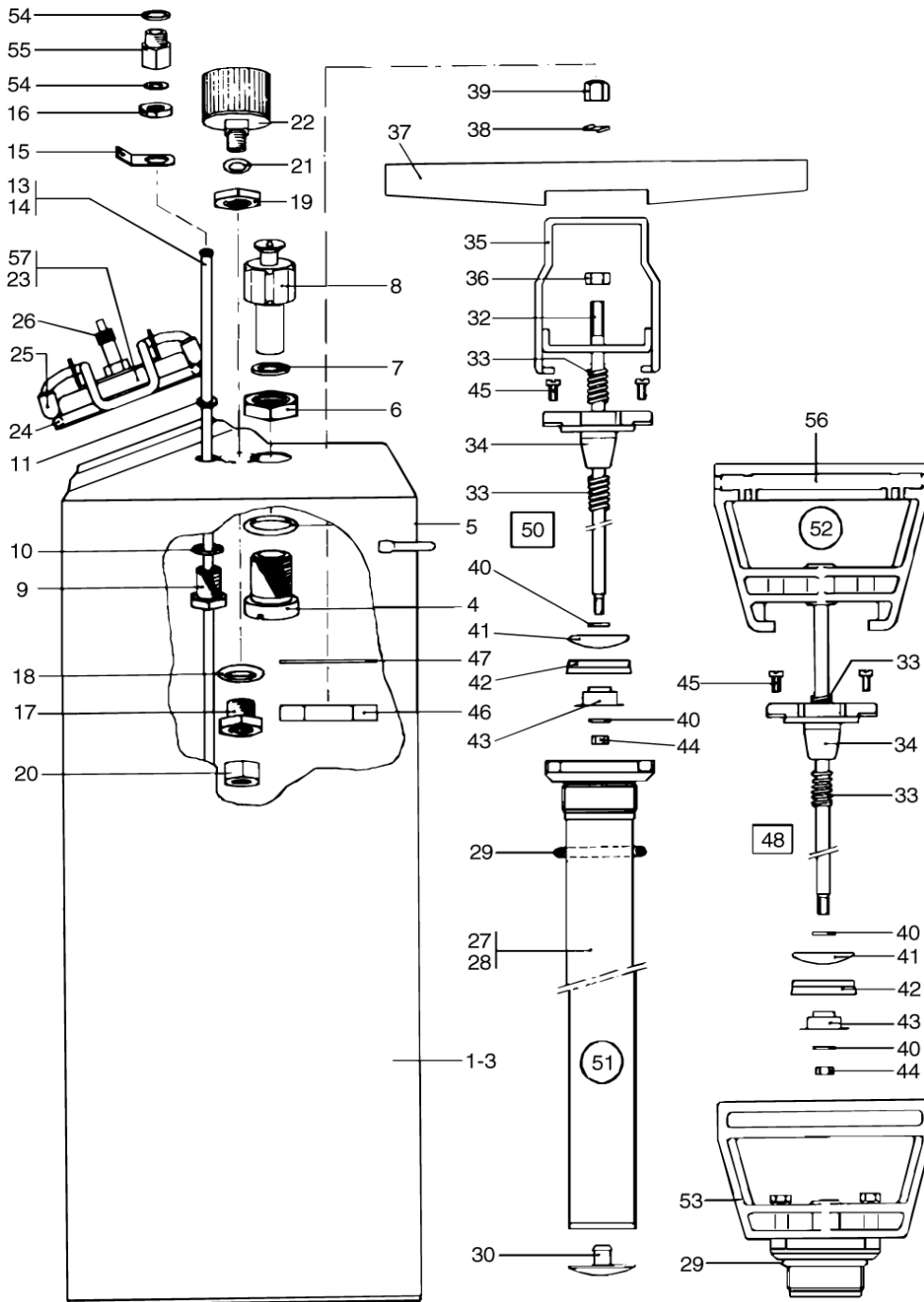
- [1] - NO REPLACEMENT
- [2] - GUARANTEE DATE EXPIRED



Pos.	Artikelnummer	Hoeveelheid	Omschrijving	Notes
0	7110002	1	LIQUID SPRAYER 5P (USE 25	
NS	7110155	1	GASKET KIT FOR 5P	
01	7110150	1	Pomp compleet	
02		1	INCL. IN KIT 7110155	[1]
03		1	INCL. IN KIT 7110155	[1]
04	7110103	1	SHOULDER-STRAP	
05	7110154	1	Overdrukventiel 3 bar	
06		1	INCL. IN KIT 7110155	[1]
07	7110158	1	Slang compleet	
08		1	INCL. IN KIT 7110155	[1]
09	7110159	1	Handgreep LS5	
13	7110165	1	Lans LS5	
14	7110167	1	Regulatie nozzle 1.3 C	
15		1	INCL. IN KIT 7110155	[1]
16		1	INCL. IN KIT 7110155	[1]

Part Notes:

[1] - INCL. IN KIT 7110155

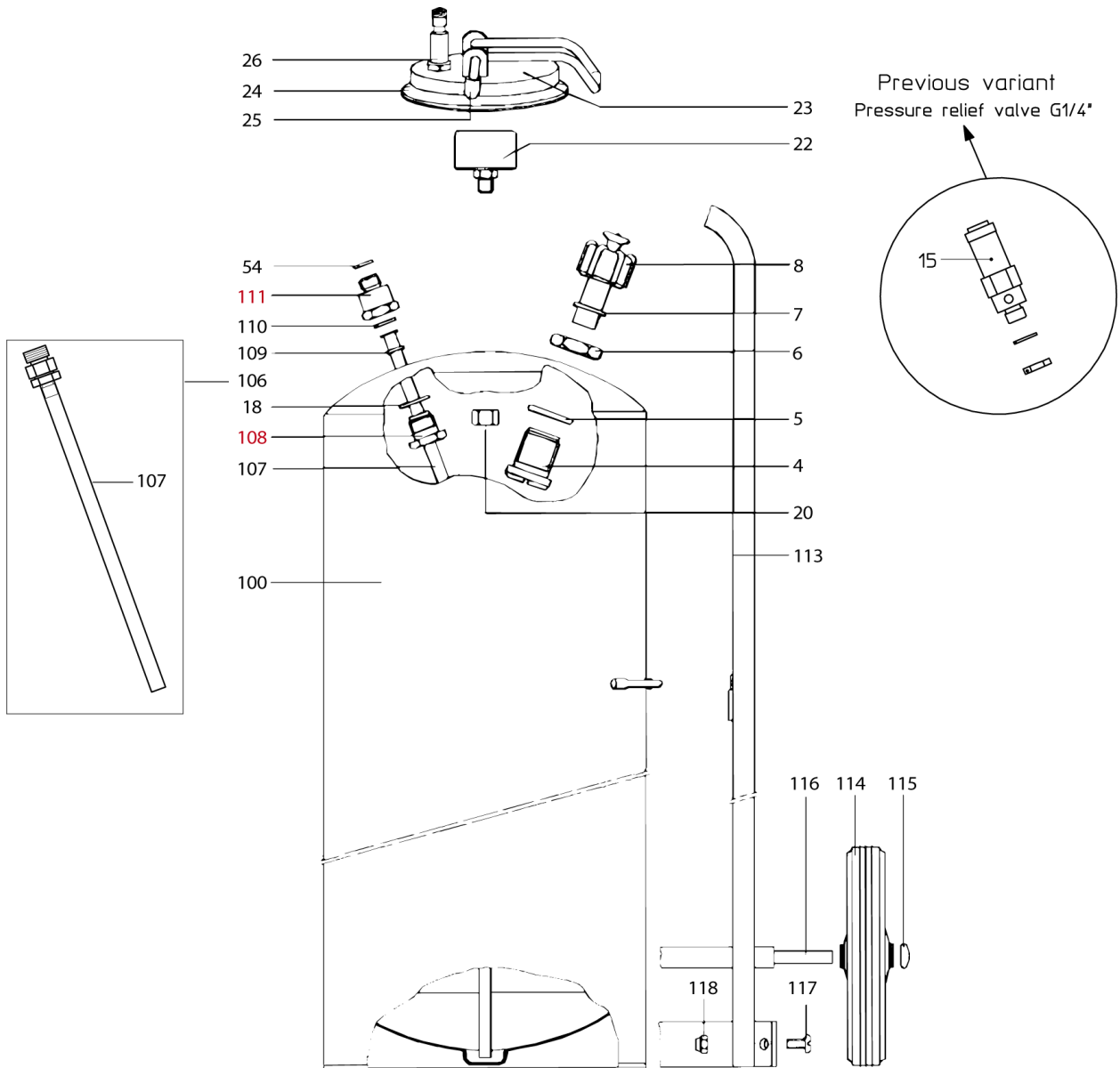


Pos.	Artikelnummer	Hoeveelheid	Omschrijving	Notes
0	7110010	1	Sproeiapparaat 10SP	[1]
0	7110005	1	Sproeiapparaat 5S	
	308000057	1	Schuimnozzle 5SP, 10SP, 20S	
0-	7110100	1	TWO-WHEELED TROLLEY	[2]
0-	7110101	1	SHOULDER-STRAPS COMPLETE	[3]
0-	7110249	1	Pakkingset	
			If the pump piston is Ø40 it can't get service	
01	7110200	1	TANK 5S	
03	7110201	1	TANK 10SP	
04	7110202	1	Nippel	
05	7110203	1	O-Ring	
06	7110204	1	Moer	
07		1	INCL. IN KIT 7110249	[4]
08	7110205	1	Overdrukventiel 6 bar (me ssing	[5]
08	7110206	1	Overdrukventiel 6 Bar pla stic	[6]
09	7110207	1	NIPPLE	[7]
10	7110208	1	O-RING 12.42X1.78	[4]
13	7110210	1	SUCTION TUBE	[7]
14	7110211	1	SUCTION TUBE	[7]
15	7110212	1	LINK	[7]
16	7110213	1	HEX NUT G 1/4	
17	7110214	1	NIPPLE	
18	7110215	1	O-ring ° 15,6x1,78	
19	7110216	1	HEX NUT G 3/8	[7]
20	7110217	1	HEX NUT 1/8	
21		1	INCL. IN KIT 7110249	[4]
22	7110219	1	Manometer m/o-ring	
23	7110220	1	Vuldeksel compleet	
24	7110221	1	O-Ring voor 10SP	[7]
25	7110222	1	FOOT	[7]
26	7110223	1	Ventiel	[7]
27	7110218	1	PUMP TUBE COMPL. - 10SP	[7]
28	7110224	1	PUMP TUBE COMPLETE	
29	7110225	1	O-Ring 40,0x4,0	[7]
30		1	INCL. IN KIT 7110249	[4]
32	7110226	1		
33	7110227	1		
34	7110228	1	Cover	[7]
35	7110229	1		
36	7110230	1		
37	7110231	1	HANDLE	[7]
38	7110232	1		
39	7110233	1		
40	7110234	1	Washer	[7]
41	7110235	1	Piston schijf	[7]
42		1	INCL. IN KIT 7110249	[4]
42	7110250	1	Manchet 6 st.	
43	7110247	1	Sleeve guide	[7]
44	7110248	1	Sleeve guide	
45	7110236	1		
46	7110237	1	HEX NUT	
47	7110238	1	WASHER	[7]
48	7110245	1	PISTON ROD WITH HANDLE	
50	7110240	1	PISTON ROD COMPL. - 10SP	[7]
51	7110241	1	Handpomp voor 10SP	
52	7110242	1	Pomp compleet	[7]
53	7110243	1	CLOSING CAP	[7]
54		1	INCL. IN KIT 7110249	[4]

Pos.	Artikelnummer	Hoeveelheid	Omschrijving	Notes
55	7110244	1	NIPPLE	[7]
56	7110245	1	PISTON ROD WITH HANDLE	
57	7110246	1	FILLER CAP COMPLETE	[7]

Part Notes:

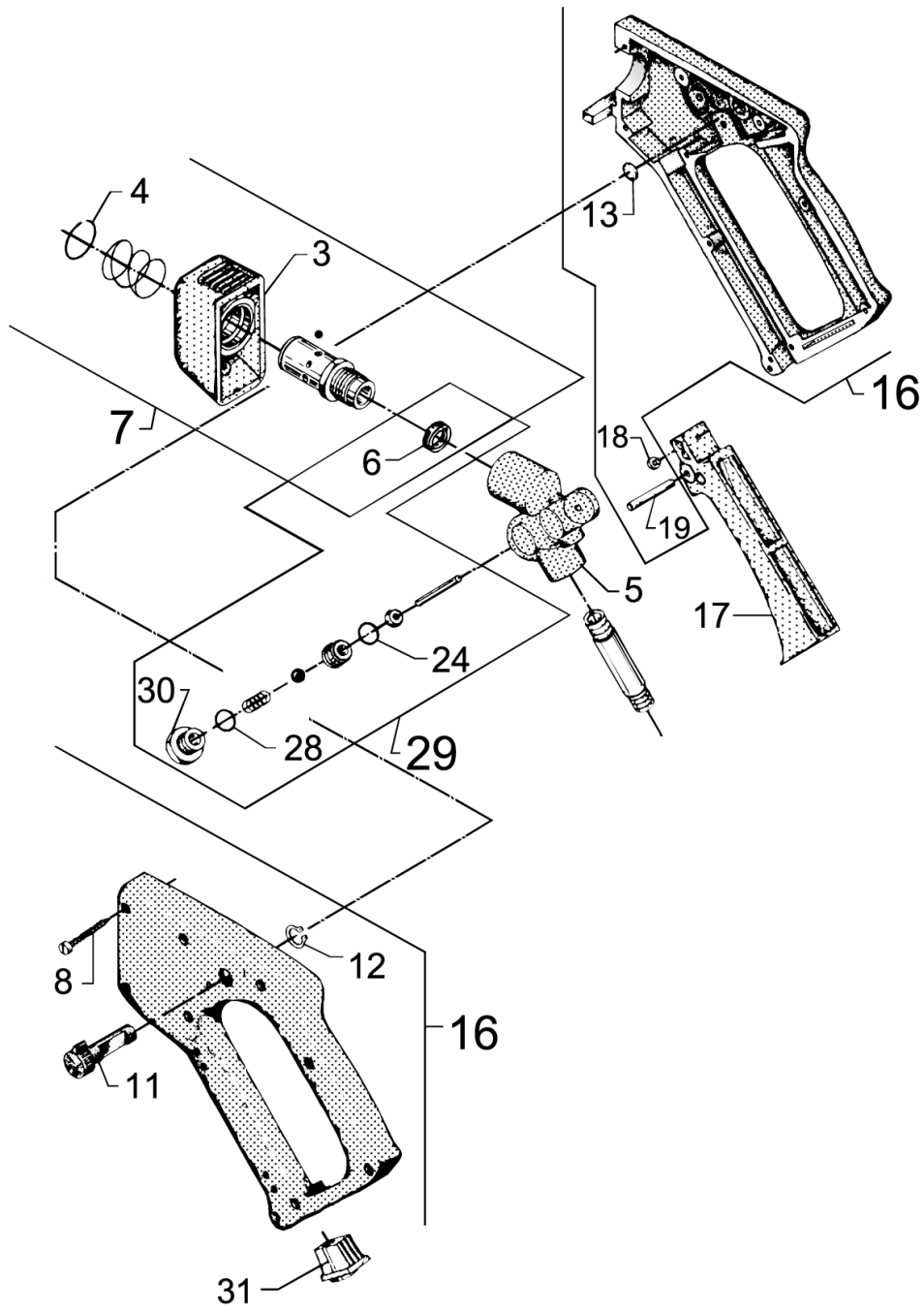
- [1] - NO LONGER AVAILABLE
- [2] - 10SP
STOCK COVERS GUARANTEE
- [3] - 5S
- [4] - INCL. IN KIT 7110249
- [5] - Brass
- [6] - Plastic
- [7] - STOCK COVERS GUARANTEE



Pos.	Artikelnummer	Hoeveelheid	Omschrijving	Notes
0	7110020	1	Sproeiapparaat 20S	
	308000057	1	Schuimnozzle 5SP, 10SP, 20S	
0-	7110100	1	TWO-WHEELED TROLLEY	[1]
0-	7110320	1	Pakkingset 20S	[2]
04	7110202	1	Nippel	
05	7110203	1	O-Ring	
06	7110204	1	Moer	
07		1	INCL. IN KIT 7110320	[3]
08	7110251	1	SAFETY VALVE TEFZEL 6BAR	[4]
08	7110206	1	Overdrukventiel 6 Bar plastic	[5]
100	7110020	1	Sproeiapparaat 20S	
106	31000175	1	COMPRESSED AIR UNION KIT	
107	7110302	1	SUCTION TUBE	[6]
108		1	Use 31000175	[7]
109		1	INCL. IN KIT 7110320	[3]
110		1	INCL. IN KIT 7110320	[3]
111		1	Use 31000175	[7]
113		1	FRAME	[8]
114	7110308	1	Wiel 20S	[9]
115	7110309	1	Holding ring	
116	7110311	1	Axel	
117	7110312	1		
118	7110113	1		
15	7110205	1	Overdrukventiel 6 bar (me ssing)	[10]
18	7110215	1	O-ring ° 15,6x1,78	
20	7110217	1	HEX NUT 1/8	
22	7110304	1	Manometer LS20	
23	7110220	1	Vuldeksel compleet	
24	7110221	1	O-Ring voor 10SP	[1]
25	7110222	1	FOOT	[1]
26	7110223	1	Ventiel	[1]
54		1	INCL. IN KIT 7110320	[3]

Part Notes:

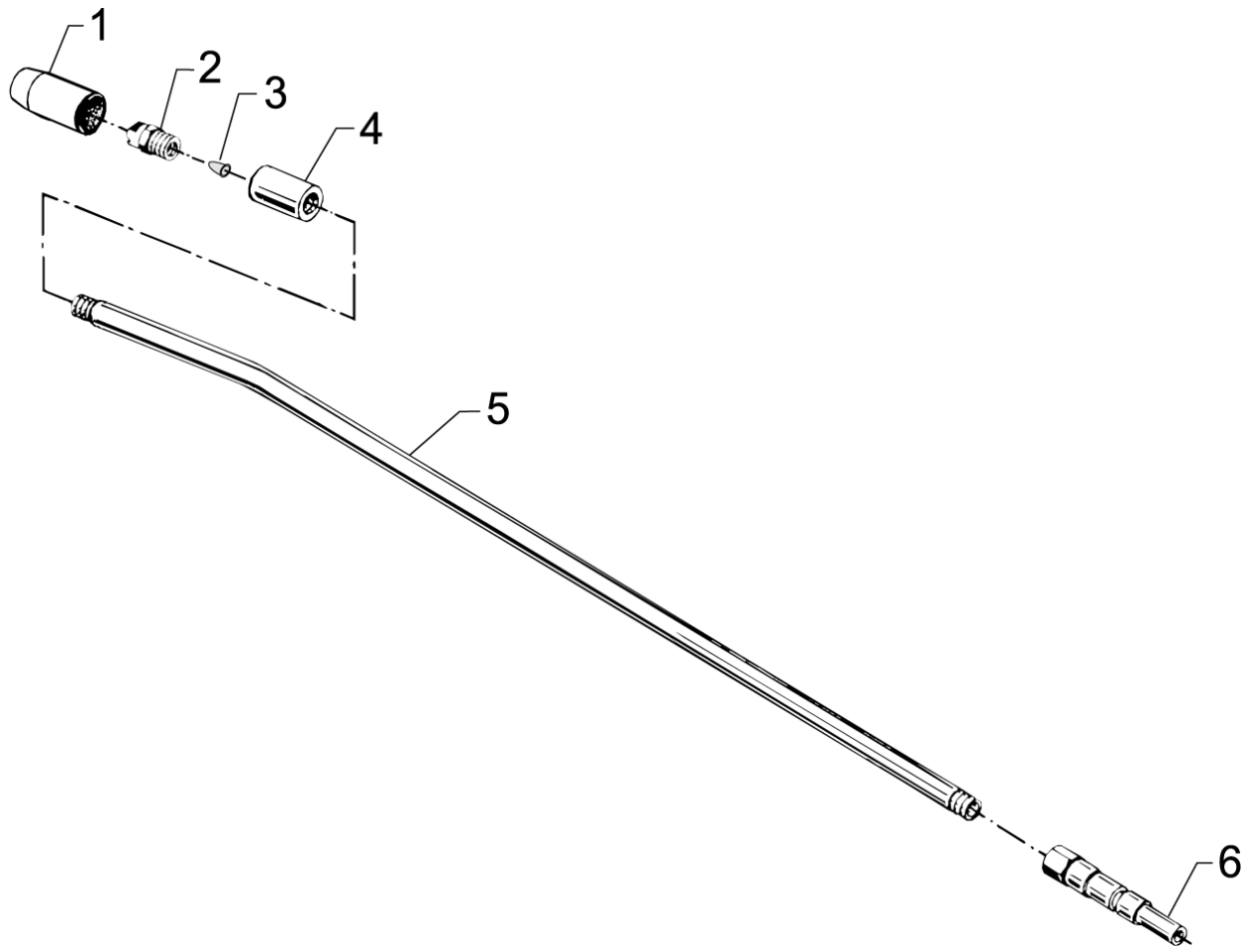
- [1] - STOCK COVERS GUARANTEE
- [2] - pos. 7, 54, 109, 110
- [3] - INCL. IN KIT 7110320
- [4] - plastic with stainless steel inner parts
- [5] - plastic
- [6] - earlier steel, now plastic PE
- [7] - Use 31000175
- [8] - FRAME
- [9] - GUARANTEE DATE EXPIRED
- [10] - brass, previous variant



Pos.	Artikelnummer	Hoeveelheid	Omschrijving	Notes
0-	4810328	1	Spuitpistool voor lans SP	[1]
03	4000444	1	SLIP SORT	
04	1800192	1	Borgring 18.2x2	
05	3400397	1	Ventielhuis	
06	3000924	1	Manchet	
07	1118066	1	Rep.set v. pistoolneus	
08	4000063	1	Borgbout	
12	1800200	1	Sege-ring	
13	4600730	1	FOAM WASHER FOR SAFETY/SPRAY	
16	1118108	1	Rep.set v. pistool	
17	4000445	1	HANDGREEP VOOR KLEP ZWART	
18	3400413	1	Drukknip	
19	3400421	1	Paspas	
24	3000072	1	O-Ring 10,1x1,6 nitril 70 sh	
28	3000064	1	O-Ring 14.1x1.6	
29	1119268	1	Rep.set pistool B5	[2]
31	6401746	1	Adapter	

Part Notes:

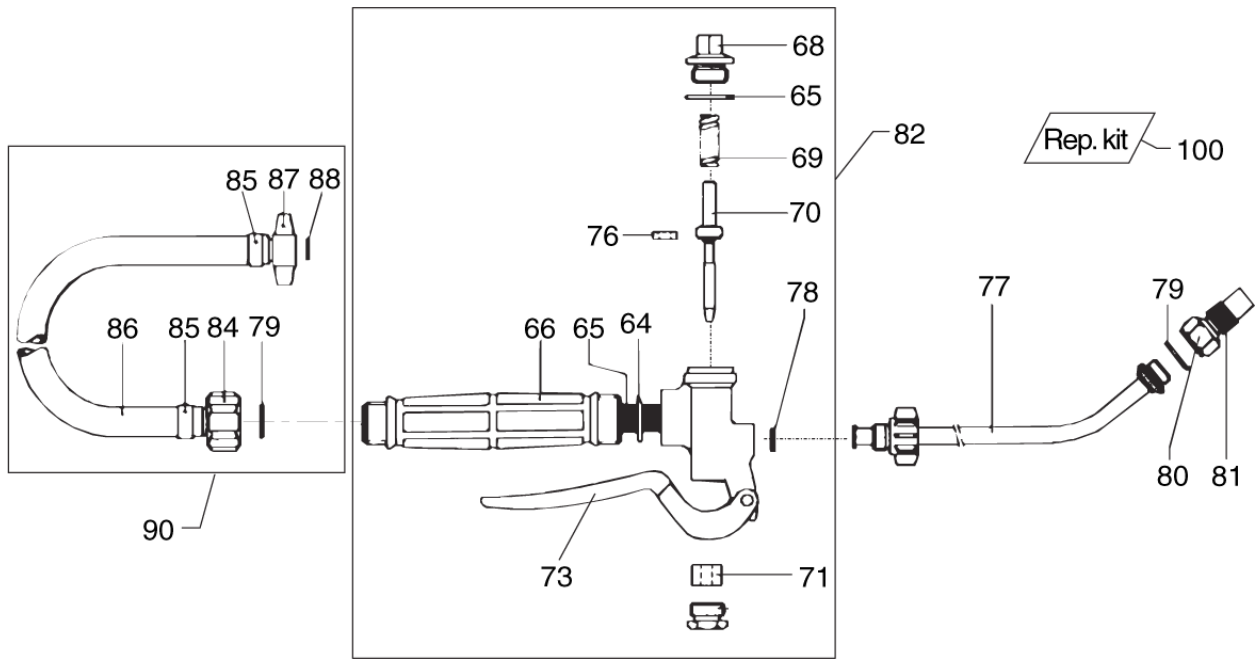
- [1] - GUARANTEE DATE EXPIRED
 [2] - STOCK COVERS GUARANTEE



Pos.	Artikelnummer	Hoeveelheid	Omschrijving	Notes
0-	4810327	1	Lans met vlakke sproeier	[1]
01	2800076	1	Bescherm dop enkel	
02	2800720	1	Nozzle 1502	
03	1400092	1	Nozzle filter (1103090)	
04	1608843	1	SOCKET 1/4 STAINLES STEEL	[2]
06	1609325	1	Lijkoppeling RF	

Part Notes:

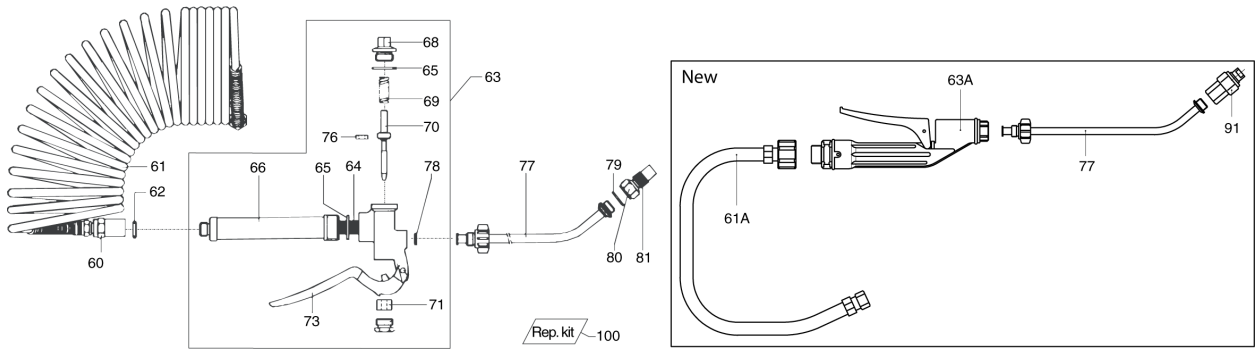
- [1] - CLOSED WHEN STOCK EMPTY
[2] - NO LONGER AVAILABLE



Pos.	Artikelnummer	Hoeveelheid	Omschrijving	Notes
100	7110430	1	Rep.set afdichting lans	
64	7110404	1	FILTER	[1]
65		1	INCL. IN KIT 7110430	[2]
66	*	1	INFO	
68	7110408	1	SCREW PLUG	
69	7110409	1	VALVE SPRING	[1]
70		1	INCL. IN KIT 7110430	[2]
71		1	INCL. IN KIT 7110430	[2]
73	7110413	1	TRIGGER	
76	7110415	1	VALVE GASKET	[1]
77	*	1	INFO	
78		1	INCL. IN KIT 7110430	[2]
79		1	INCL. IN KIT 7110430	[2]
80a	7110419	1	Nozzle 1,3	[3]
80b	33343	1	ADJUSTING NOZZLE	[4]
81		1	INCL. IN KIT 7110430	[2]
82	7110420	1	Pistol ventiel	
84	7110422	1	THREADED HOSE CONNECTION	[1]
85	7110423	1	OETIKER CLIP	[1]
86	7110428	1	Slang compl.	
87	7110425	1	THREADED HOSE CONNECTION	[1]
88		1	INCL. IN KIT 7110430	[2]
89	7110427	1	Lans compl. 40cm.	
90	7110428	1	Slang compl.	

Part Notes:

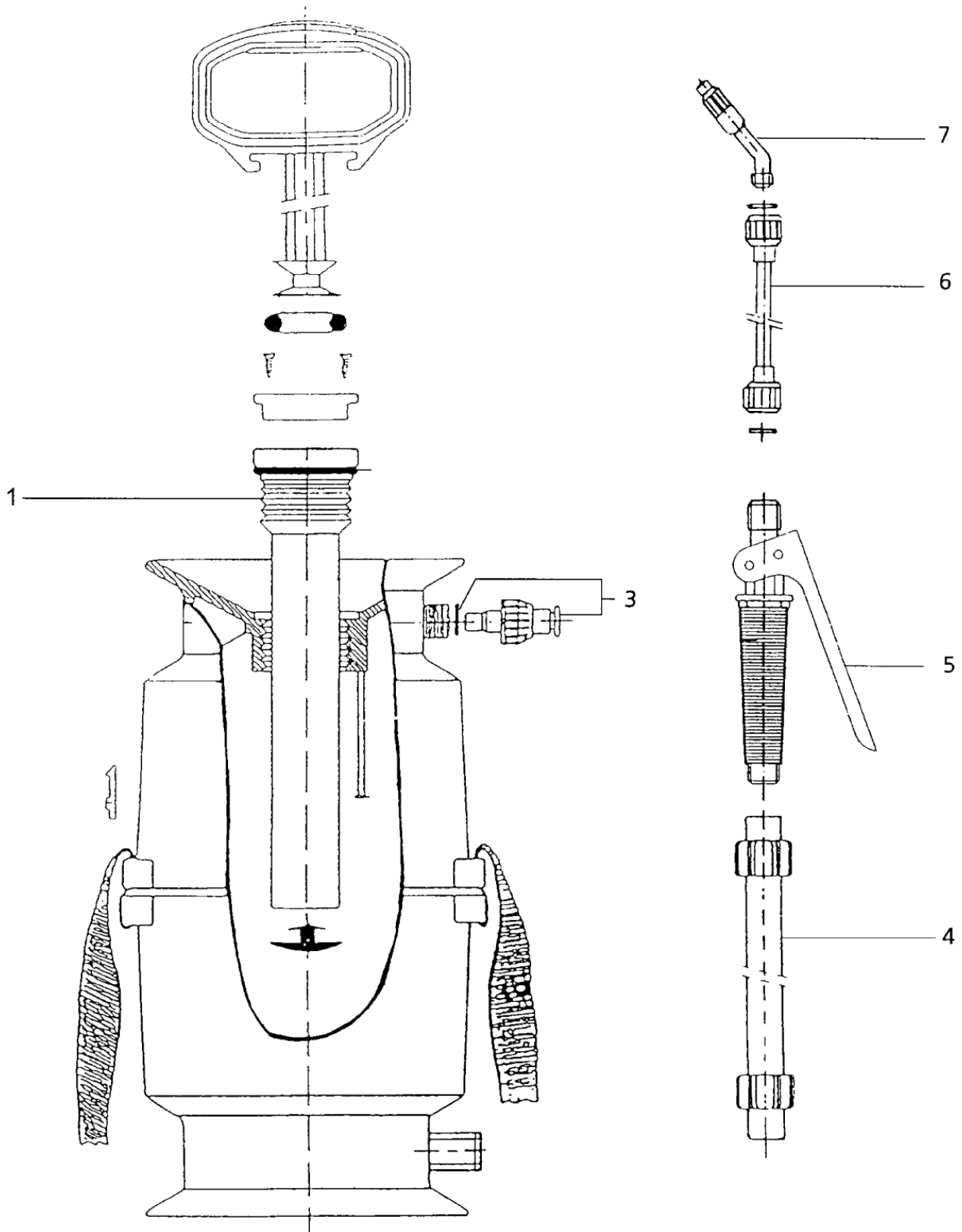
- [1] - STOCK COVERS GUARANTEE
- [2] - INCL. IN KIT 7110430
- [3] - Plastic
- [4] - Brass



Pos.	Artikelnummer	Hoeveelheid	Omschrijving	Notes
100	7110430	1	Rep.set afdichting lans	
60	7110400	1	Koppeling voor 10sp/20s	
61	7110401	1	Spiraal slang (10sp, 20s)	
61A	7110431	1	Spiraal slang	
62		1	INCL. IN KIT 7110430	[1]
63	7110403	1	Spuitpistool	
63A	7110432	1	Pistol Valve Assembly	
64	7110404	1	FILTER	[2]
65		1	INCL. IN KIT 7110430	[1]
66	7110406	1	Hendelbuis koper	[2]
68	7110408	1	SCREW PLUG	
69	7110409	1	VALVE SPRING	[2]
70		1	INCL. IN KIT 7110430	[1]
71		1	INCL. IN KIT 7110430	[1]
73	7110413	1	TRIGGER	
76	7110415	1	VALVE GASKET	[2]
77	7110416	1	Spuitlans vloeistofsproeier 10SP/20S	
78		1	INCL. IN KIT 7110430	[1]
79		1	INCL. IN KIT 7110430	[1]
80a	33343	1	ADJUSTING NOZZLE	[3]
80b	7110419	1	Nozzle 1,3	[4]
81		1	O-ring Ø6,75x1,78	[5]
91	33343	1	ADJUSTING NOZZLE	

Part Notes:

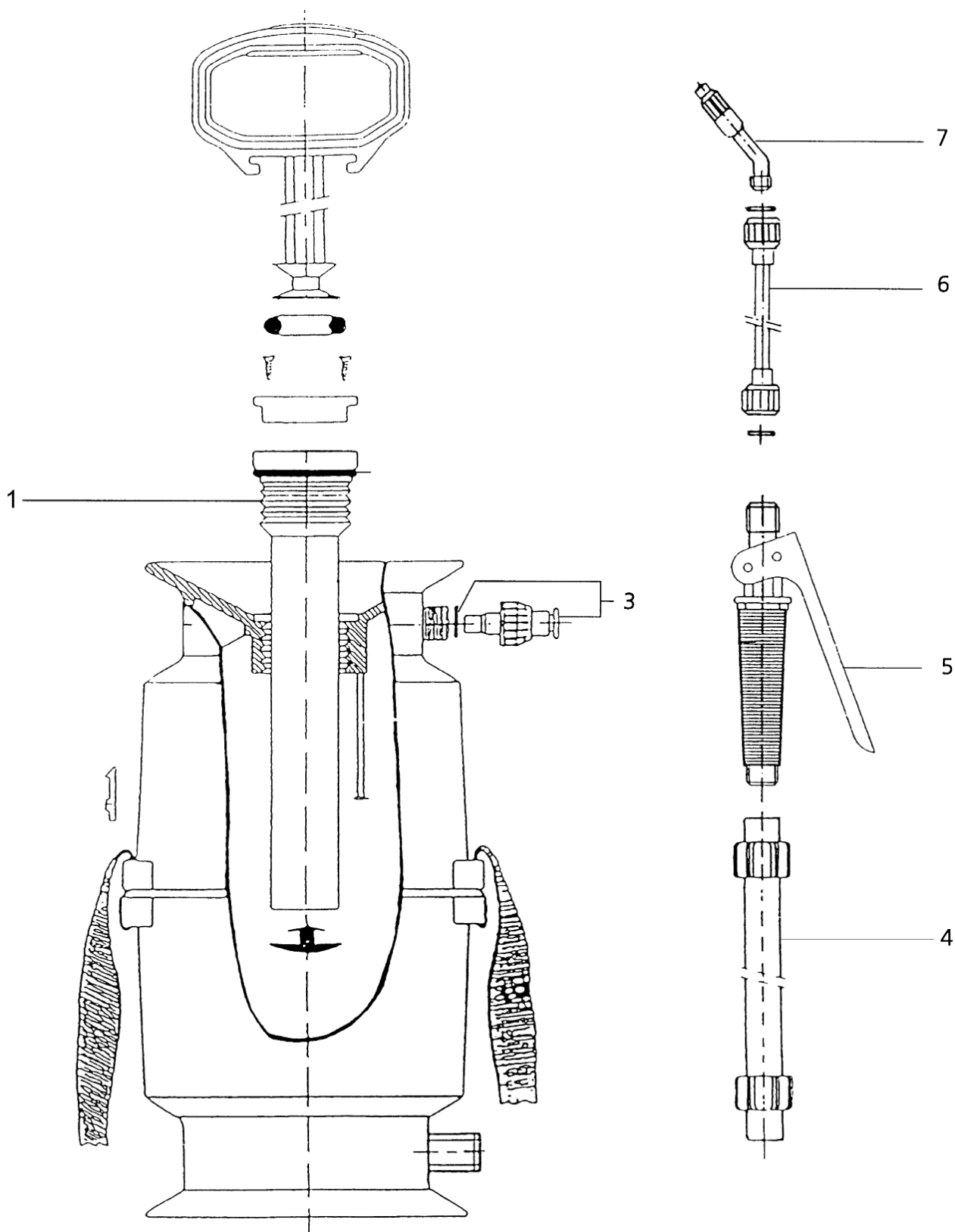
- [1] - INCL. IN KIT 7110430
- [2] - STOCK COVERS GUARANTEE
- [3] - Brass
- [4] - Plastic
- [5] - O-ring Ø6,75x1,78



Pos.	Artikelnummer	Hoeveelheid	Omschrijving	Notes
00	25598	1	SPROEI APPARAAT 8P VSP	[1]
01	26442	1	Luchtpomp VSP 108	[2]
03	26444	1	Bypassventiel 8P	[2]
04	26445	1	Slang VSP 108	
05	26446	1	Sluitpistool VSP 108	
06	60347	1	Sluitlans vloeistofsproeier VSP 108	
07	26447	1	Sluitkop VSP 108	[2]

Part Notes:

- [1] - ALTERNATIVE BUY 7110005
- [2] - STOCK COVERS GUARANTEE



Pos.	Artikelnummer	Hoeveelheid	Omschrijving	Notes
01	26442	1	Luchtpomp VSP 108	[1]
03	26444	1	Bypassventiel 8P	[1]
04	26445	1	Slang VSP 108	
05	26446	1	Spuitpistool VSP 108	
06	60347	1	Spuiltans vloeistofsproeier VSP 108	
07	26447	1	Spuitkop VSP 108	[1]

Part Notes:

[1] - STOCK COVERS GUARANTEE

