

The **ORION HEAVY DUTY** line was created to satisfy the need of rewinding long hoses with diameters up to 1" while using manual-driven reels equipped with **HOVA[®]** hose guide. To do this it integrates a **3:1 effort reduction** mechanism which, facilitated by a raised position, makes it easier for the operator to rewind the hose.



OPTIONAL

Also available on wheels to allow easy movement of the hose reel

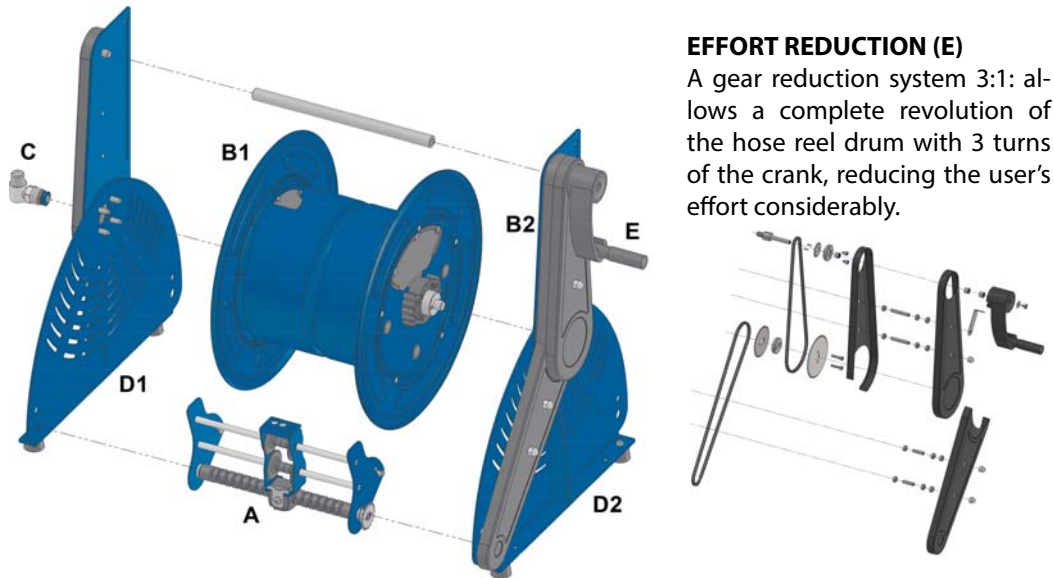
- Wheels (F)
- Handles (G)
- Horizontal handle (H)

3 VERSIONS AVAILABLE

- Painted steel;
- Aisi 304;
- Aisi 316

LEGEND

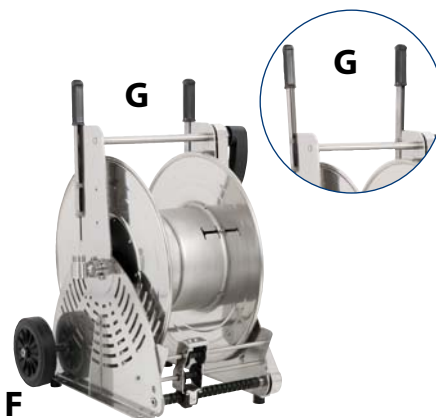
- A** HOVA[®] hose guide
- B1** Hose exit side disc/drum assembly
- B2** Chain drive side disc/drum assembly
- C** Swivel Joint
- D1** Swivel joint side base arm
- D2** Chain drive side base arm
- E** Crank and effort reduction mechanism



EFFORT REDUCTION (E)

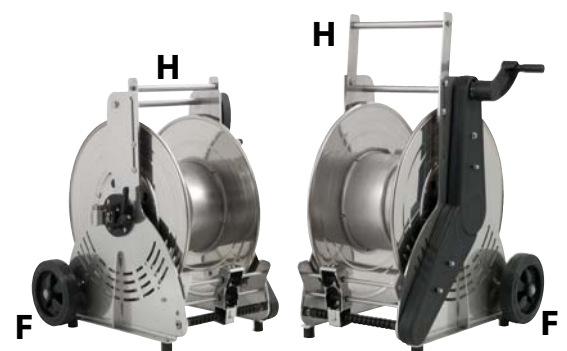
A gear reduction system 3:1: allows a complete revolution of the hose reel drum with 3 turns of the crank, reducing the user's effort considerably.

OPTIONAL WHEELED VERSION COMPLETE WITH WHEELS (F) AND HANDLES (G).



OPTIONAL WHEELED VERSION COMPLETE WITH WHEELS (F) AND HORIZONTAL HANDLE (H)

To order this model add IR to the reel's code (e.g. OPF52190IR).



WITH HOSE GUIDE

WITHOUT HOSE GUIDE

Hose Reels



HD SERIES - OP1 Ø Disc 434 mm - Spool 260 mm - Drum 250 mm

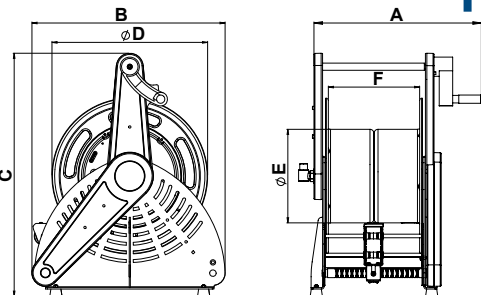
	Art.no. WITH HOSE GUIDE	Art.no. WITHOUT HOSE GUIDE	Max. pressure joint	Connection threads IN - OUT	Max diameter hose	Max length hose (m)	Swivel joint*
PAINTED STEEL	OPF42260	OPSGF42260	600 bar **	1/2"(M)-1/2"(F)	1/4"	60	9951
					3/8"	50	
					1/2"	40	
PAINTED STEEL	OPF42261	OPSGF42261	100 bar	1"(M)-3/4"(F)	3/4"	20	9970
					1"	15	
AISI 304 STAINLESS STEEL	OPX42260	OPSGX42260	200 bar **	1/2"(M)-1/2"(F)	1/4"	60	9968
					3/8"	50	
					1/2"	40	
AISI 304 STAINLESS STEEL	OPX42261	OPSGX42261	100 bar	1"(M)-3/4"(F)	3/4"	20	9970
					1"	15	

HD SERIES - OP2 Ø Disc 540 mm - Spool 195 mm - Drum 250 mm

	Art.no. WITH HOSE GUIDE	Art.no. WITHOUT HOSE GUIDE	Max. pressure joint	Connection threads IN - OUT	Max diameter hose	Max length hose (m)	Swivel joint*
PAINTED STEEL	OPF52190	OPSGF52190	600 bar **	1/2"(M)-1/2"(F)	1/4"	130	9951
					3/8"	85	
					1/2"	65	
PAINTED STEEL	OPF52191	OPSGF52191	100 bar	1"(M)-3/4"(F)	3/4"	30	9970
					1"	18	
AISI 304 STAINLESS STEEL	OPX52190	OPSGX52190	200 bar **	1/2"(M)-1/2"(F)	1/4"	130	9968
					3/8"	85	
					1/2"	65	
AISI 304 STAINLESS STEEL	OPX52191	OPSGX52191	100 bar	1"(M)-3/4"(F)	3/4"	30	9970
					1"	18	

HD SERIES - OP3 Ø Disc 540 mm - Spool 260 mm - Drum 250 mm

	Art.no. WITH HOSE GUIDE	Art.no. WITHOUT HOSE GUIDE	Max. pressure joint	Connection threads IN - OUT	Max diameter hose	Max length hose (m)	Swivel joint*
PAINTED STEEL	OPF52260	OPSGF52260	600 bar **	1/2"(M)-1/2"(F)	1/4"	180	9951
					3/8"	115	
					1/2"	90	
PAINTED STEEL	OPF52261	OPSGF52261	100 bar	1"(M)-3/4"(F)	3/4"	40	9970
					1"	30	
AISI 304 STAINLESS STEEL	OPX52260	OPSGX52260	200 bar **	1/2"(M)-1/2"(F)	1/4"	180	9968
					3/8"	115	
					1/2"	90	
AISI 304 STAINLESS STEEL	OPX52261	OPSGX52261	100 bar	1"(M)-3/4"(F)	3/4"	40	9970
					1"	30	



*) The reels in painted steel are equipped with mineral oil compatible swivel joint gaskets. The hose reels in stainless steel come with water-compatible Viton® swivel joint gaskets. See pages 227 for the complete range of swivel joints with gaskets compatible with other liquids.

**) When ordering, specify whether or not the application implies the use of low pressure hoses (see page 226 regarding the splitting of the roller).

DIMENSIONS AND PACKAGING

Art.no.	D (mm)	F (mm)	E (mm)	A-B-C (mm)	Packaging dimensions (mm)	Weight (kg)
OP1	434	260	250	529x540x677	600x500x700	26
OP2	540	195	250	461x542x677	600x500x701	24
OP3	540	260	250	526x542x677	600x500x700	26



ORION HEAVY DUTY
with hose guide

WHEELED VERSION COMPOSED OF:

- Nr. 2 wheels Ø 200 mm
- Nr. 2 adjustable handles.

To order this model add MR to the reel's code (e.g. OPF52190MR).



ORION HEAVY DUTY
without hose guide

Hose Reels

ORION EASY

MANUAL HOSE REELS

WITHOUT HOSE GUIDE

ORION EASY wheeled hose reel with reduced effort system with **3:1 rapport** and reel rotation lock mechanism. The **EASY** model comes with wheels.



EASY 400 SERIES - OE1 Ø Disc 434 mm - Spool 400 mm - Drum 260 mm

	Art.no. WITHOUT HOSE GUIDE	Max. pressure joint	Connection threads IN - OUT	Max diameter hose	Max length hose (m)	Swivel joint*
PAINTED STEEL	OEF42400	600 bar **	1/2"(M)-1/2"(F)	1/4"	150	9951
				3/8"	100	
				1/2"	80	
PAINTED STEEL	OEF42401	100 bar	1"(M)-3/4"(F)	3/4"	42	9970
				1"	25	
AISI 304 STAINLESS STEEL	OEX42400	200 bar **	1/2"(M)-1/2"(F)	1/4"	150	9968
				3/8"	100	
				1/2"	80	
AISI 304 STAINLESS STEEL	OEX42401	100 bar	1"(M)-3/4"(F)	3/4"	42	9970
				1"	25	



EASY 500 SERIES - OE2 Ø Disc 540 mm - Spool 400 mm - Drum 335 mm

	Art.no. WITHOUT HOSE GUIDE	Max. pressure joint	Connection threads IN - OUT	Max diameter hose	Max length hose (m)	Swivel joint*
PAINTED STEEL	OEF53400	600 bar **	1/2"(M)-1/2"(F)	1/4"	230	9951
				3/8"	160	
				1/2"	110	
PAINTED STEEL	OEF53401	100 bar	1"(M)-3/4"(F)	3/4"	60	9970
				1"	35	
AISI 304 STAINLESS STEEL	OEX53400	200 bar **	1/2"(M)-1/2"(F)	1/4"	230	9968
				3/8"	160	
				1/2"	110	
AISI 304 STAINLESS STEEL	OEX53401	100 bar	1"(M)-3/4"(F)	3/4"	60	9970
				1"	35	

*) The reels in painted steel are equipped with mineral oil compatible swivel joint gaskets. The hose reels in stainless steel come with water-compatible Viton® swivel joint gaskets. See pages 227 for the complete range of swivel joints with gaskets compatible with other liquids.

***) When ordering, specify whether or not the application implies the use of low pressure hoses (see page 226 regarding the splitting of the roller).

DIMENSIONS AND PACKAGING

Art.no.	D (mm)	F (mm)	E (mm)	A-B-C (mm)	Packaging dimensions (mm)	Weight (kg)
OE1	434	400	250	665x595x1091	800x800x1000	24
OE2	540	400	250	665x595x1091	800x800x1000	25

