

The **ORION RD** line maintains the same structural characteristics of the ANDROMEDA but in the **MANUAL** version. It includes **HOVA[®]TG** hose guide to allow an orderly rewinding of the hose.

Hose Reels



3 VERSIONS AVAILABLE

- Painted steel;
- Aisi 304;
- Aisi 316

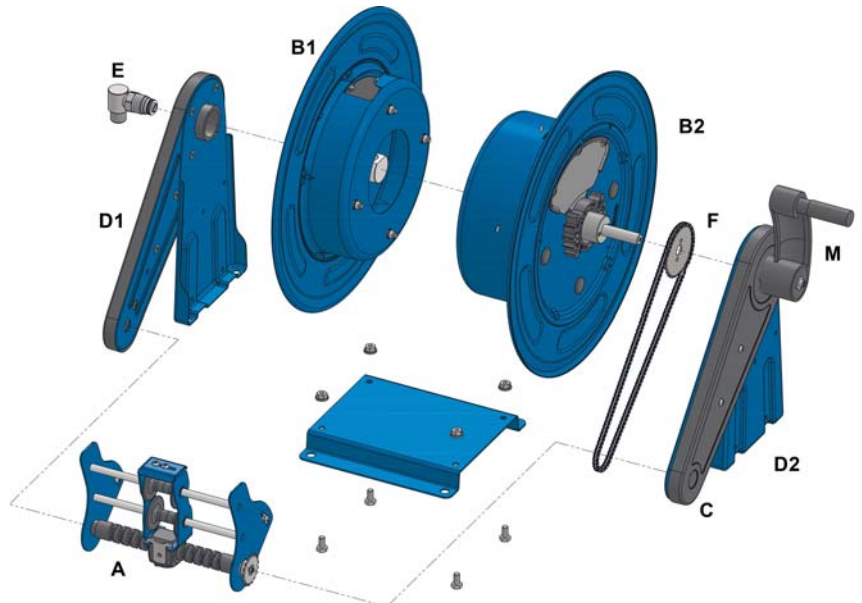
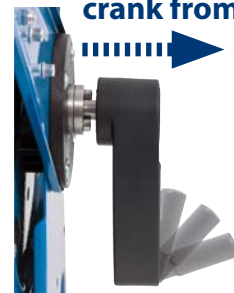
LEGEND

- A **HOVA[®]TG** hose guide
- B1 Hose exit side disc/drum assembly
- B2 Chain side disc/drum assembly
- C Guide arm cover
- D1 Swivel side base arm
- D2 Chain side base arm
- E Came
- F Chain drive
- M Crank

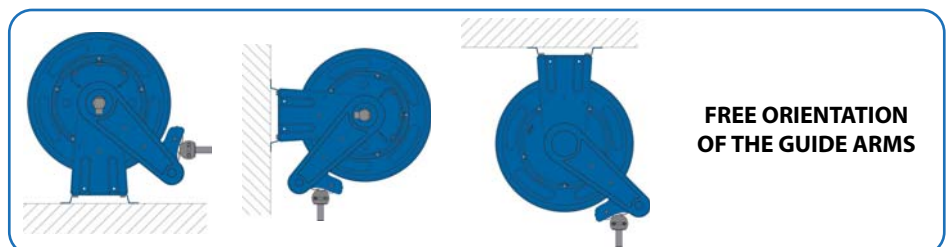
Work mode: insert the crank into the drum



Free mode: pull out the crank from the drum



Available also in the version **ORION SG** without **HOVA[®]TG** hose guide.



WITH HOSE GUIDE

WITHOUT HOSE GUIDE

Hose Reels

400 SERIES - O1 Ø Disc 434 mm - Spool 130 mm - Drum 250 mm



	Art.no. WITH HOSE GUIDE	Art.no. WITHOUT HOSE GUIDE	Max. pressure joint	Connection threads IN - OUT	Max diameter hose	Max length hose (m)	Swivel joint*
PAINTED STEEL	OF42130	OSGF42130	600 bar **	1/2"(M) 1/2"(F)	1/4"	40	9951
					3/8"	25	
					1/2"	20	
	OF42131	OSGF42131	100 bar	1"(M)-3/4"(F)	3/4"	10	9970
					1"	6	
AISI 304 STAINLESS STEEL	OX42130	OSGX42130	200 bar **	1/2"(M) 1/2"(F)	1/4"	40	9968
					3/8"	25	
					1/2"	20	
	OX42131	OSGX42131	100 bar	1"(M)-3/4"(F)	3/4"	10	9970
					1"	6	

400 SERIES - O2 Ø Disc 434 mm - Spool 195 mm - Drum 250 mm

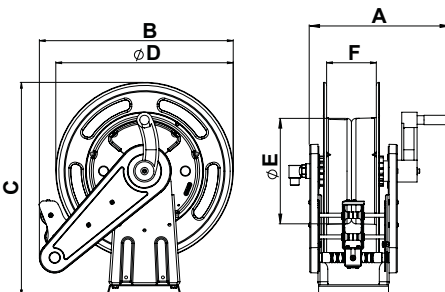


	Art.no. WITH HOSE GUIDE	Art.no. WITHOUT HOSE GUIDE	Max. pressure joint	Connection threads IN - OUT	Max diameter hose	Max length hose (m)	Swivel joint*
PAINTED STEEL	OF42190	OSGF42190	600 bar **	1/2"(M) 1/2"(F)	1/4"	50	9951
					3/8"	40	
					1/2"	30	
	OF42191	OSGF42191	100 bar	1"(M)-3/4"(F)	3/4"	15	9970
					1"	10	
AISI 304 STAINLESS STEEL	OX42190	OSGX42190	200 bar **	1/2"(M) 1/2"(F)	1/4"	50	9968
					3/8"	40	
					1/2"	30	
	OX42191	OSGX42191	100 bar	1"(M)-3/4"(F)	3/4"	15	9970
					1"	10	

400 SERIES - O3 Ø Disc 434 mm - Spool 260 mm - Drum 250 mm



	Art.no. WITH HOSE GUIDE	Art.no. WITHOUT HOSE GUIDE	Max. pressure joint	Connection threads IN - OUT	Max diameter hose	Max length hose (m)	Swivel joint*
PAINTED STEEL	OF42260	OSGF42260	600 bar **	1/2"(M) 1/2"(F)	1/4"	60	9951
					3/8"	50	
					1/2"	40	
	OF42261	OSGF42261	100 bar	1"(M)-3/4"(F)	3/4"	20	9970
					1"	15	
AISI 304 STAINLESS STEEL	OX42260	OSGX42260	600 bar **	1/2"(M) 1/2"(F)	1/4"	60	9968
					3/8"	50	
					1/2"	40	
	OX42261	OSGX42261	100 bar	1"(M)-3/4"(F)	3/4"	20	9970
					1"	15	



*) The reels in painted steel are equipped with mineral oil compatible swivel joint gaskets. The hose reels in stainless steel come with water-compatible Viton® swivel joint gaskets. See pages 227 for the complete range of swivel joints with gaskets compatible with other liquids.

***) When ordering, specify whether or not the application implies the use of low pressure hoses (see page 226 regarding the splitting of the roller).

DIMENSIONS AND PACKAGING

Art.no.	D (mm)	F (mm)	E (mm)	A-B-C (mm)	Packaging dimensions (mm)	Weight (kg)
O1	434	130	250	393x474x522	600x370x620	15
O2	434	195	250	461x474x523	600x370x620	19
O3	434	260	250	526x474x523	560x490x560	21

WITH HOSE GUIDE

WITHOUT HOSE GUIDE

Hose Reels



500 SERIES - O4 Ø Disc 540 mm - Spool 130 mm - Drum 250 mm

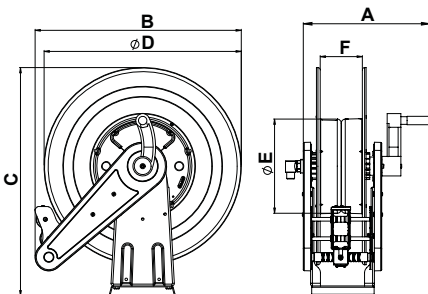
	Art.no. WITH HOSE GUIDE	Art.no. WITHOUT HOSE GUIDE	Max. pressure joint	Connection threads IN - OUT	Max diameter hose	Max length hose (m)	Swivel joint*
PAINTED STEEL	OF52130	OSGF52130	600 bar **	1/2" (M) 1/2" (F)	1/4"	60	9951
					3/8"	50	
					1/2"	40	
	OF52131	OSGF52131	100 bar	1"(M)-3/4"(F)	3/4"	20	9970
1"	13						
AISI 304 STAINLESS STEEL	OX52130	OSGF52130	200 bar **	1/2" (M) 1/2" (F)	1/4"	60	9968
					3/8"	50	
					1/2"	40	
	OX52131	OSGF52131	100 bar	1"(M)-3/4"(F)	3/4"	20	9970
1"	13						

500 SERIES - O5 Ø Disc 540 mm - Spool 195 mm - Drum 250 mm

	Art.no. WITH HOSE GUIDE	Art.no. WITHOUT HOSE GUIDE	Max. pressure joint	Connection threads IN - OUT	Max diameter hose	Max length hose (m)	Swivel joint*
PAINTED STEEL	OF52191	OSGF52191	100 bar	1"(M)-3/4"(F)	3/4"	30	9970
					1"	18	
AISI 304 STAINLESS STEEL	OX52191	OSGX52191	100 bar	1"(M)-3/4"(F)	3/4"	30	9970
					1"	18	

500 SERIES - O6 Ø Disc 540 mm - Spool 260 mm - Drum 250 mm

	Art.no. WITH HOSE GUIDE	Art.no. WITHOUT HOSE GUIDE	Max. pressure joint	Connection threads IN - OUT	Max diameter hose	Max length hose (m)	Swivel joint*
PAINTED STEEL	OF52261	OSGF52261	100 bar	1"(M)-3/4"(F)	3/4"	40	9970
					1"	30	
AISI 304 STAINLESS STEEL	OX52261	OSGX52261	100 bar	1"(M)-3/4"(F)	3/4"	40	9970
					1"	30	



*) The reels in painted steel are equipped with mineral oil compatible swivel joint gaskets. The hose reels in stainless steel come with water-compatible Viton® swivel joint gaskets. See pages 227 for the complete range of swivel joints with gaskets compatible with other liquids.

**) When ordering, specify whether or not the application implies the use of low pressure hoses (see page 226 regarding the splitting of the roller).

DIMENSIONS AND PACKAGING

Art.no.	D (mm)	F (mm)	E (mm)	A-B-C (mm)	Packaging dimensions (mm)	Weight (kg)
O4	540	130	250	396x565x625	700x370x700	20
O5	540	195	250	461x565x626	700x420x660	22
O6	540	260	250	526x565x626	700x420x660	23