

HFS & HFS-TK | HYDRAULIC FLANGE SPREADER KITS

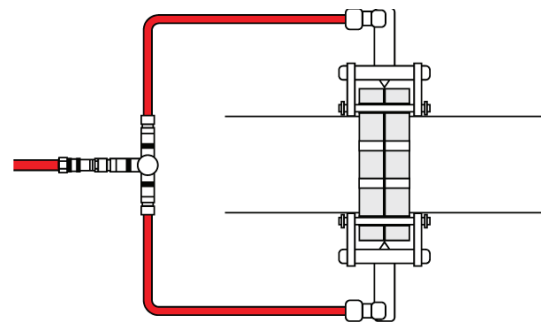
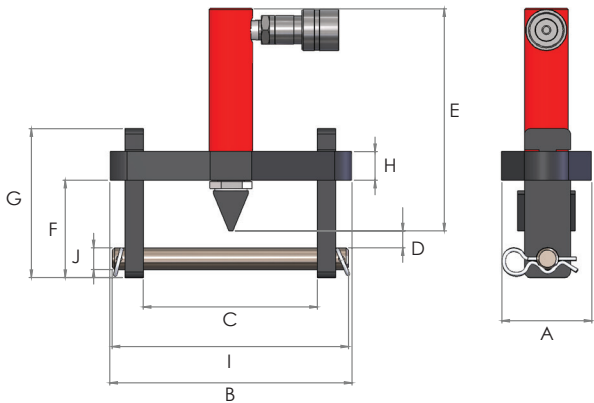


Capacities from 4.5 to 10 tonnes per spreader

Complete with manual hydraulic pump

Working pressure 700 bar

- ▶ Single acting, spring assisted return for fast and safe operation
- ▶ Capable of opening flanges up to 2 x 92 mm thick
- ▶ Suitable for fitment on flanges with maximum bolt size of 41 mm (1 5/8")
- ▶ Spreading range from 61 to 224 mm
- ▶ Lightweight ergonomic design for ease of use
- ▶ Available as single spreader or twin spreader arrangement
- ▶ Supplied complete with manually operated pump and hose assembly



Twin kit offers parallel flange separation on larger size flanges

Model number	Capacity (tonnes)	Stroke (mm)	Oil capacity (cm ³)	Maximum flange thickness (mm)	Stud size (mm)	Standard wedge (mm)	Weight (kg)
HFS50	4.5	75	48	2 x 57	19 - 29	3 - 29	22.5
HFS100	10	56	81	2 x 92	32 - 41	3 - 29	29.1
HFS50-TK	2 x 4.5	75	2 x 48	2 x 57	19 - 29	3 - 29	27.5
HFS100-TK	2 x 10	56	2 x 81	2 x 92	32 - 41	3 - 29	35.7

Model number	Dimensions (mm)										
	A	B	C (min)	C (max)	D	E	F	G	H	I	J
HFS50	76	210	61	155	10	192	69	129	25	206	18
HFS100	108	290	61	224	30	165	89	178	38	273	31
HFS50-TK	76	210	61	155	10	192	69	129	25	206	18
HFS100-TK	108	290	61	224	30	165	89	178	38	273	31