

## Crane Fork CK / CY series

- No slings or chains necessary.
- Crane operator will not need to leave cab of lorry or crane.
- Forks will remain horizontal when loaded and unloaded.
- Adjustable fork width.
- Adjustable height.



CK 30



CY 30

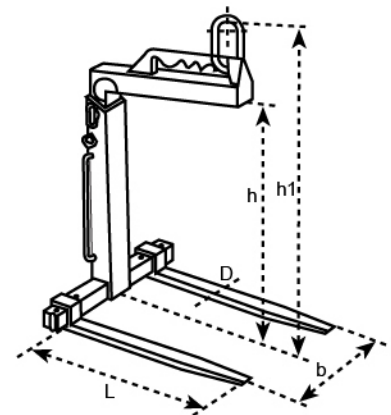


CK Series  
Manual balancing



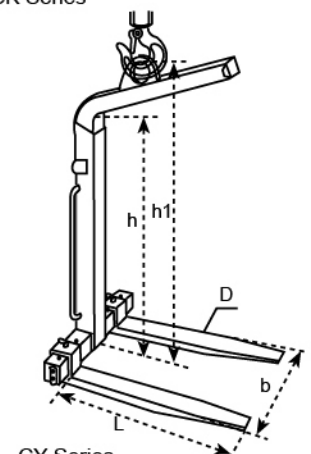
CY Series  
Self-balancing head

i-Lift No.	2313301	2313302	2313303	2313304
Model	CK10	CK20	CK30	CK50
<b>Work Load Limit</b> WLL kg(lb.)	1000(2200)	2000(4400)	3000(6600)	5000(11000)
<b>Adjustable Fork Width</b> b mm(in.)	350-900(13.8-35.4)	400-900(16-35.4)	450-900(17.7-35.4)	530-1000(20.8-40)
<b>Hook Height</b> h1 mm(in.)	1390-1890(54.7-74.4)	1640-2340(64.6-92.1)	1670-2370(65.7-93.3)	1700-2400(67-94.5)
<b>Effective Height</b> h mm(in.)	1100-1600(44-63)	1300-2000(51.2-78.7)		
<b>Fork Length</b> L mm(in.)	1000(40)			
<b>Fork Cross</b> D mm(in.)	100x30(4x1.2)	120x40(4.8-1.6)	120x50(4.8x2)	150x60(6x2.4)
<b>Overall Size</b> LxWxH mm(in.)	1120x920x1390 (44x36.2x54.7)	1140x920x1640 (44.8x36.2x64.6)	1140x920x1670 (44.8x36.2x65.7)	1140x920x1670 (44.8x36.2x65.7)
<b>Net Weight</b> kg(lb.)	130(286)	200(440)	250(5500)	370(814)



CK Series

i-Lift No.	2313305	2313306	2313307	2313308
Model	CY10	CY20	CY30	CY50
<b>Work Load Limit</b> WLL kg(lb.)	1000(2200)	2000(4400)	3000(6600)	5000(11000)
<b>Adjustable Fork Width</b> b mm(in.)	350-900(13.8-35.4)	400-900(16-35.4)	450-900(17.7-35.4)	530-1000(20.8-40)
<b>Hook Height</b> h1 mm(in.)	1420-1920(55.9-75.6)	1655-2355(65.2-92.7)	1720-2420(67.7-95.3)	1710-2410(67.3-94.9)
<b>Effective Height</b> h mm(in.)	1100-1600(44-63)	1300-2000(51.2-78.7)		
<b>Fork Length</b> L mm(in.)	1000(40)			
<b>Fork Cross</b> D mm(in.)	100x30(4x1.2)	120x40(4.8-1.6)	120x50(4.8x2)	150x60(6x2.4)
<b>Overall Size</b> LxWxH mm(in.)	1120x920x1530 (44x36.2x60.2)	1140x920x1775 (44.8x36.2x69.9)	1140x920x1850 (44.8x36.2x72.8)	1160x1020x1850 (45.6x40.2x72.8)
<b>Net Weight</b> kg(lb.)	140(308)	220(484)	280(616)	380(836)



CY Series