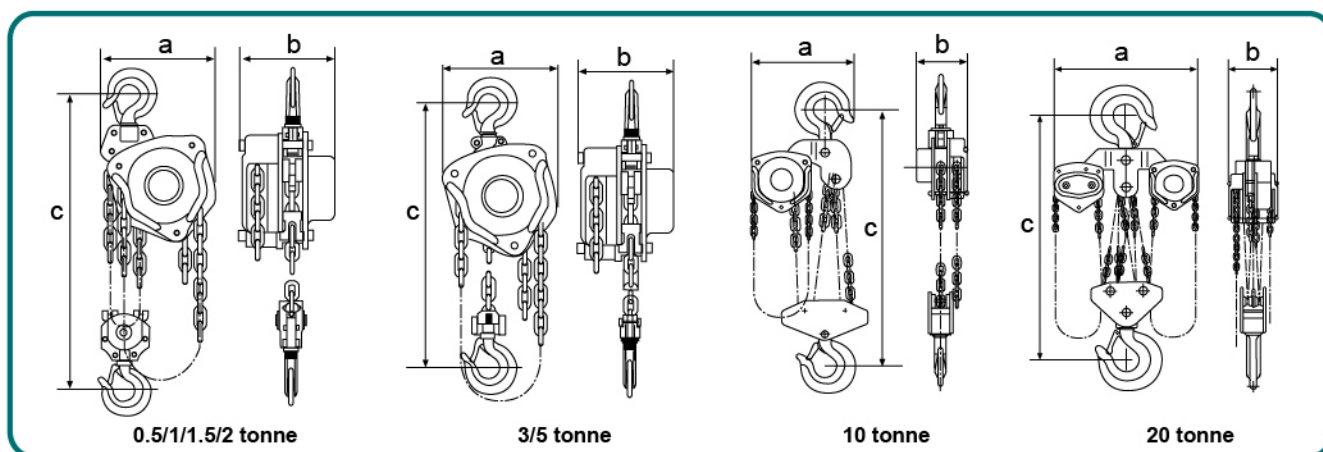


## Manual Hoist MH series

One of best selling hoists in Europe

- Heavy duty and compact design to meet all pertinent world standard.
- Reliable disc brake and premium grade alloy load chain.
- Drop-forged and specially heat treated for great strength and durability.
- **Conforms to CE safety standard.**



i-Lift No.	2110101	2110102	2110103	2110104	2110105	2110106	2110107	2110108		
Model	MH05	MH10	MH15	MH20	MH30	MH50	MH100	MH200		
Rated Capacity	kg(lb.)	500(1100)	1000(2200)	1500(3300)	2000(4400)	3000(6600)	5000(11000)	10000(22000)	20000(44000)	
Standard Lifting Height	mm(in.)	2500(10)	2500(10)	2500(10)	3000(120)	3000(120)	3000(120)	3000(120)	3000(120)	
Test Load	(KN)	6.3	12.5	18.8	25	37.5	75	125	250	
Effort to Rated Capacity	(N)	231	309	320	360	340	414	414	828	
Diameter of Load Chain	mm(in.)	Φ6x18 (0.2x0.7)	Φ6x18 (0.2x0.7)	Φ8x24 (0.3x0.9)	Φ8x24 (0.3x0.9)	Φ8x24 (0.3x0.9)	Φ10x30 (0.4x1.2)	Φ10x30 (0.4x1.2)	Φ10x30 (0.4x1.2)	
No. of Load Chain Falls		1	1	1	1	2	2	4	8	
Dimensions	a	mm(in.)	131(5.4)	140(5.5)	161(6.3)	161(6.3)	161(6.3)	186(7.3)	207(8.4)	215(8.5)
	b	mm(in.)	127(5)	158(6.2)	174(6.9)	187(7.4)	199(7.8)	253(10)	398(15.7)	650(25.6)
	c	mm(in.)	270(10.6)	317(12.5)	399(15.7)	414(16.3)	465(18.3)	636(25)	798(31.4)	890(35)
Net Weight	kg(lb.)	10(22)	12(26.4)	19(41.8)	20(44)	27(59.4)	45.5(100)	83(182.6)	193(424.6)	
Extra Weight per Meter of Extra Lift	kg(lb.)	1.7(3.7)	1.7(3.7)	2.3(5)	2.3(5)	3.7(8.1)	5.6(12.3)	9.7(21.3)	19.4(42.7)	