



Filter pressure regulators type 480 - G^{1/4} - G1



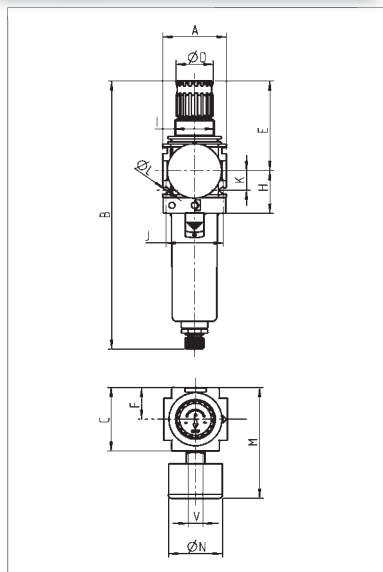
480.233 480.233SD 480.333MD

Cover in individual color available upon request (standard: grey!)



480-92

480-48



Dimensions [mm]

Size	I	II	
Connection thread	G ^{1/4} , G ^{3/8}	G ^{1/2} , G ^{3/4}	G1**
A	48	70	125
B	203	273	273
C	48	70	70
D (ø)	28	39	39
E	68	98	98
F	24	35	35
H	32	44	44
I	M30x1,5	M42x1,5	M42x1,5
J	43	62	62
K	14,5	18	18
L (ø)	4,4	5,4	5,4
M	84	106	106
N (ø)	40	50	50
V	G ^{1/4}	G ^{1/4}	G ^{1/4}

Drain valves see page 72 and chapter 8

Fixing and assembling options see page 70 seq.

A filter pressure regulator combines in a space-saving way the functions of a filter and a regulator in one unit (see single descriptions).

Standard versions:

Control range (p₂) 0,5-10bar, plastic bowl with manually operated drain valve, with gauge, filter porosity 40µm

Size	Order No.				
	Connection threads				
	G ^{1/4}	G ^{3/8}	G ^{1/2}	G ^{3/4}	G1**
I	480.223	480.233	-	-	-
II	-	-	480.263	480.283	480.293

Order key for all variants:

480.xxxxx

L - Filter porosity 5 µm (standard: 40µm, without addition)
V - plastic bowl (without addition)

M - metal bowl
S - metal bowl protection
A - lockable
D - gauge with color code 0 -16 bar

2 - 0,5- 6bar
3 - 0,5-10bar
4 - 0,5-16bar

2 - G^{1/4}
3 - G^{3/8}
6 - G^{1/2}
8 - G^{3/4}
9 - G1**

2 - manually operated drain valve, gauge (p₁ 0-20 bar)
3 - internal automatic drain valve, gauge (p₁ 1,5-12 bar)
4 - manually operated drain valve, without gauge (p₁ 0-20 bar)
5 - semi-automatic drain valve, gauge (p₁ 0,5-20 bar)
6 - external automatic drain valve A, gauge (p₁ 4-16 bar)
7 - internal automatic drain valve, without gauge (p₁ 1,5-12 bar)
8 - external automatic drain valve A, without gauge (p₁ 4-16 bar)
9 - semi-automatic drain valve, without gauge (p₁ 0,5-20 bar)

additional options

control range (p₂)

connection threads

for example:

480.223 - without gauge = 480.423

Note: Gauge (self-sealing) added loosely

Spare parts and accessories

Filter element	filter porosity	Order No.	
		size I	size II
40 µm (mounted)	40 µm (reduced flow rate!)	480-7	480-219
	5 µm (reduced flow rate!)	480-45	480-220
Plastic bowl with metal bowl protection, with manually operated drain valve		480-90	480-226
Metal bowl with manually operated drain valve		480-28	480-213
Metal bowl protection		480-25	480-216
Gauge horizontal,	Display ranges:	0 - 10 bar (for p ₂ up to 6 bar)	723 55
		0 - 16 bar (for p ₂ up to 10 bar)	734 85
		0 - 25 bar (for p ₂ up to 16 bar)	745 96
Plastic bowl with manually operated drain valve		480-18	480-210
Diaphragm complete with slip ring		480-92	480-263
Seal cone complete		480-48	480-218

Technical data

	Size I		Size II		
	G ^{1/4}	G ^{3/8}	G ^{1/2}	G ^{3/4}	G1**
Connection threads	G ^{1/4}	G ^{3/8}	G ^{1/2}	G ^{3/4}	G1**
Nominal rates of flow (NI/min)*	2000	3000	5500	6500	6500
Filter porosity	40 µm (optionally available: 5 µm)				
Max. operating pressure (p₁)	16bar (20bar with metal bowl / 12 bar with internal automatic drain valve)				
Secondary pressure (p₂) max.	10bar (optionally available: 6, 16bar)				
Max. operating temperature	50°C/80°C with metal bowl				
Volume of condensate	25 cm ³		85 cm ³		
Drain valve	manually operated (opt.: semi-automatic, automatic)				
Material	- housing - seals - bowl		zinc alloy NBR polycarbonate		
Weight (g) (without gauge)	460		1150	1150	1610

* Measured at 10 bar pre-pressure (p₁), 6bar secondary pressure (p₂) and Δp = 1 bar acc. to DIN ISO 6953

** Inlet and outlet only with mounting plates set G1 (included, see page 70)

Rates of flow

