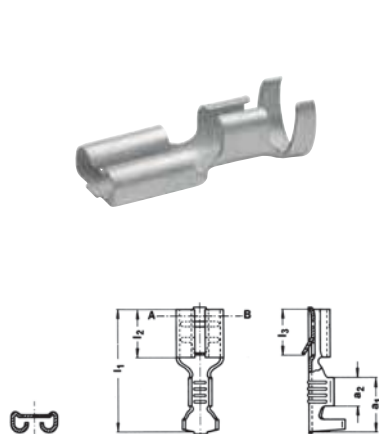




Non-insulated receptacles with locking latch



► For fine and superfine stranded conductors, e.g. to DIN EN 60228 Cl. 5 and 6



Characteristics

- To DIN 46340, sheet 3
- With latch to engage in housing
- Improved contact properties due to grooved profile



Material

- Brass (CuZn)



Surface

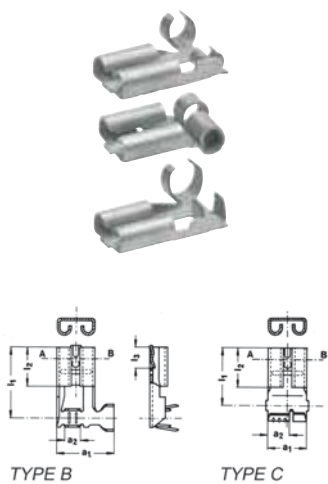
- Tin-plated to protect against corrosion

Technical instructions

- Tool: see page 174

Nominal cross section mm ²	Part No.	Tab Thickn.	Tab Width	Dimension mm						Weight/pcs. ~kg	Packing unit/pcs
				a1	a2	l1	l2	l3	s		
0.5 - 1	2720	0.8	6.3	8.5	4.5	19.2	7.4	7	0.38	0.070	100
1.5 - 2.5	2730	0.8	6.3	8.5	4.5	19.2	7.4	7	0.38	0.075	100
4 - 6	2750	0.8	6.3	8.5	4.5	19.2	7.4	7	0.38	0.090	100

Non-insulated receptacles with lateral conductor connector



► For fine and superfine stranded conductors, e.g. to DIN EN 60228 Cl. 5 and 6
 ► Improved contact properties due to grooved profile



Material

- Brass (CuZn)



Surface

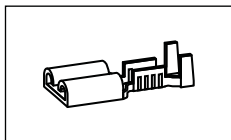
- Tin-plated to protect against corrosion



Technical instructions

- Tool: see page 174

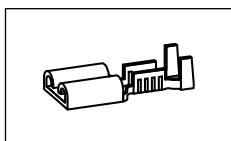
Nominal cross section mm ²	Part No.	Tab Thickn.	Tab Width	Typ	Dimension mm						Weight/pcs. ~kg	Packing unit/pcs
					a1	a2	l1	l2	l3	l4		
0.5 - 1	3720	0.8	6.3	B	11.0	3.0	12.5	7.4	4.0	7.2	0.080	100
0.5 - 1.5	3725	0.8	6.3	C	7.5	4.0	11.00	7.4	4.0	7.2	0.085	100
1.5 - 2.5	3735	0.8	6.3	B	11.0	3.0	13.5	7.0	4.0	7.2	0.085	100



Tool application chart

Non-insulated receptacles, straight type

Tool type	Crimping range corresponds to nominal cross-section mm ²	Crimping Tool		Catalogue page		Crimp profile
		Part No.	Crimping head / adapter	Crimping Tool	Crimping die	
Mechanical crimping tools	0.1 - 1	K572		221		☺
	0.5 - 2.5	K582		221		☺
		K65		222		☺
	0.5 - 6	K592		222		☺
Mechanical, electrical, pneumatic crimping tools with interchangeable die / head	0.25 - 6	K50		235	313	☺
		EK50ML		244	313	☺
Battery powered crimping tools	0.25 - 6	EK1550ML		248	313	☺



Tool application chart

Non-insulated receptacles, with lateral conductor connector

Tool type	Crimping range corresponds to nominal cross-section mm ²	Crimping Tool		Catalogue page		Crimp profile
		Part No.	Crimping head / adapter	Crimping Tool	Crimping die	
Mechanical, electrical, pneumatic crimping tools with interchangeable die / head	3720, 3735	K50		235	313	☺
		EK50ML		244	313	☺
	3725	K50		235	313	☺
		EK50ML		244	313	☺
Battery powered crimping tools	3720, 3735	EK1550ML		248	313	☺
	3725	EK1550ML		248	313	☺