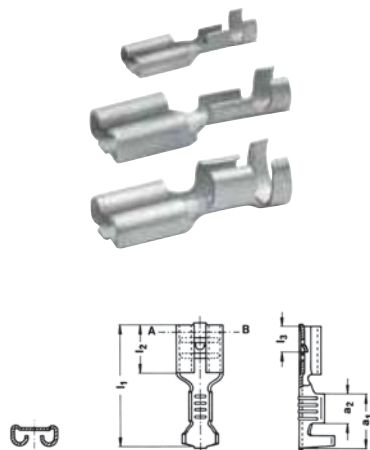


## Non-insulated receptacles



► For fine and superfine stranded conductors, e.g. to DIN EN 60228 Cl. 5 and 6

### Characteristics

- To DIN 46247, part 1 – 3 and similar versions
- Improved contact properties due to grooved profile

### Material

- Brass (CuZn)

### Surface

- Tin-plated to protect against corrosion

### Technical instructions

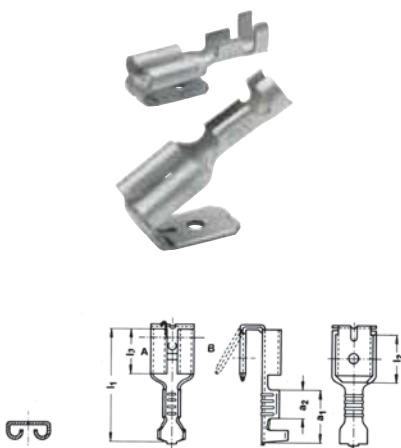
- Tool: see page 174

### Additional information

- \* = nickel-plated steel version also available, Part Number appendix "ST"

Nominal cross section mm <sup>2</sup>	Nominal size to DIN	Part No.	Tab Thickn.	Tab Width	Dimension mm						Weight/ pcs. ~kg	Packing unit/pcs
					a1	a2	l1	l2	l3	s		
0.5 - 1	--	<b>18251</b>	0.5	2.8	5.0	2.8	12.5	5.0	3.3	0.30	0.025	100
	--	<b>18251A</b>	0.8	2.8	5.5	2.5	12.5	5.0	3.3	0.30	0.025	100
	B 2.8 - 1	<b>18201A</b>	0.8	2.8	5.5	2.5	14.0	6.3	3.3	0,35	0.025	100
	--	<b>18202</b>	0.5	4.8	6.0	3.4	15.6	6.0	3.8	0.35	0.050	100
	4.8 - 1	<b>18203</b>	0.8	4.8	6.0	3.4	15.6	6.0	3.8	0.35	0.050	100
1.5 - 2.5	6.3 - 1	<b>1720</b>	0.8	6.3	8.5	4.5	19.0	7.4	4.0	0.45	0.085	100
	4.8 - 2.5	<b>18303</b>	0.8	4.8	6.0	3.4	15.6	6.0	3.8	0.35	0.055	100
	6.3 - 2.5	<b>*1730</b>	0.8	6.3	8.5	4.5	19.0	7.4	4.0	0.45	0.082	100
4 - 6	6.3 - 6	<b>*1750</b>	0.8	6.3	8.5	4.5	19.0	7.4	4.0	0.45	0.100	100

## Non-insulated receptacles, multiple type



► For fine and superfine stranded conductors, e.g. to DIN EN 60228 Cl. 5 and 6

### Characteristics

- To DIN 46247, part 1 – 3 and similar versions
- Improved contact properties due to grooved profile

### Material

- Brass (CuZn)

### Surface

- Tin-plated to protect against corrosion

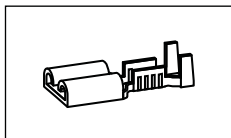
### Technical instructions

- Tool: see page 174

### Additional information

- \* = corresponds to DIN 46345

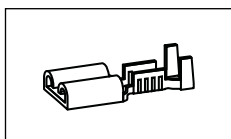
Nominal cross section mm <sup>2</sup>	Part No.	Tab Thickn.	Tab Width	Hint	Dimension mm						Weight/ pcs. ~kg	Packing unit/pcs
					a1	a2	l1	l2	l3	s		
0.5 - 1	<b>18203AZ</b>	0.8	4.8		6.0	3.4	15.6	7	6.0	0.38	0.09	100
1.5 - 2.5	<b>18303AZ</b>	0.8	4.8		6.0	3.4	15.6	7	6.0	0.38	0.09	100
	<b>1730AZ</b>	0.8	6.3	*	8.5	4.5	19.2	8	7.5	0.38	0.13	100



## Tool application chart

### Non-insulated receptacles, straight type

Tool type	Crimping range corresponds to nominal cross-section mm <sup>2</sup>	Crimping Tool		Catalogue page		Crimp profile
		Part No.	Crimping head / adapter	Crimping Tool	Crimping die	
Mechanical crimping tools	0.1 - 1	K572		221		☺
	0.5 - 2.5	K582		221		☺
		K65		222		☺
	0.5 - 6	K592		222		☺
Mechanical, electrical, pneumatic crimping tools with interchangeable die / head	0.25 - 6	K50		235	313	☺
		EK50ML		244	313	☺
Battery powered crimping tools	0.25 - 6	EK1550ML		248	313	☺



## Tool application chart

### Non-insulated receptacles, with lateral conductor connector

Tool type	Crimping range corresponds to nominal cross-section mm <sup>2</sup>	Crimping Tool		Catalogue page		Crimp profile
		Part No.	Crimping head / adapter	Crimping Tool	Crimping die	
Mechanical, electrical, pneumatic crimping tools with interchangeable die / head	3720, 3735	K50		235	313	☺
		EK50ML		244	313	☺
	3725	K50		235	313	☺
		EK50ML		244	313	☺
Battery powered crimping tools	3720, 3735	EK1550ML		248	313	☺
	3725	EK1550ML		248	313	☺