

3-403-P Narrow, quick adjustment standard jaws (pair, reach 400 mm)



DESCRIPTION

The pair of two narrow, quickly adjustable pulling jaws is suitable for 2-jaw universal pullers. The narrow pulling jaws ensure that even tight and hard-to-reach spaces can be accessed.

APPLICATION AREA

As an accessory for narrow and hard-to-reach spaces.

BENEFIT

- Through the freely movable, sliding jaws on the crossbar, even eccentric components can be pulled off.
- Thanks to the knurling, tool-free, quick loosening or moving of the jaws is made possible.

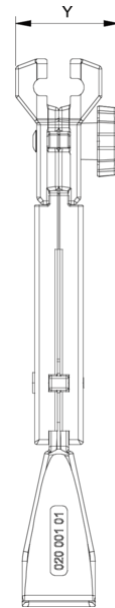
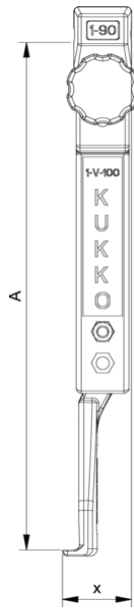
MASTER DATA

GTIN [EAN]	4021176974052
Country of origin	DE
Case material	Tool steel
Series	3-P
Net weight [kg]	6,155 kg
Package contents	1 few
Packaging Act	PAP 21
Global sales capability given	Yes (REACH, RoHS, POP, PROP65, TSCA)

DETAIL IMAGE

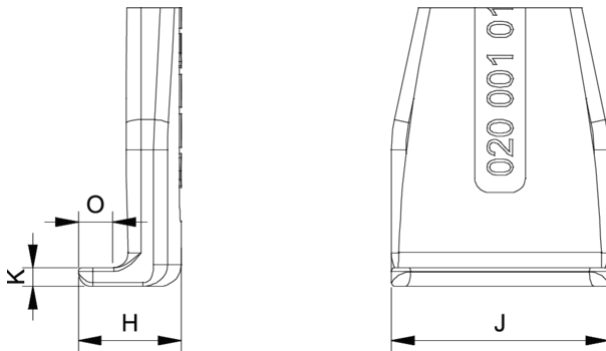


Narrow, quick adjustment standard jaws (pair, reach 400 mm)

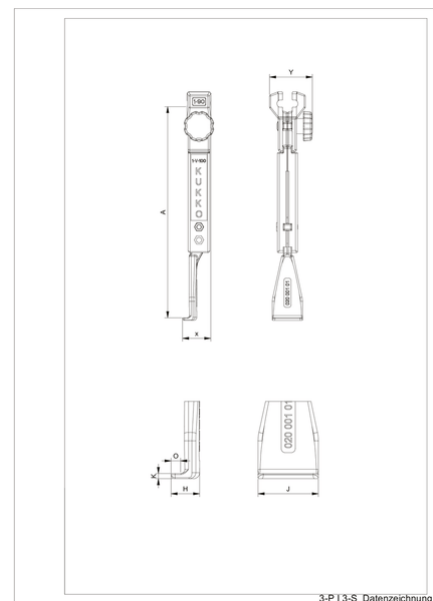


Abbreviation	Attribut	Wert
A	Clamping depth outside pull-off [mm]	400 mm
K	Hook root thickness at the tip (claw thickness K) [mm]	6,5 mm
J	Hook base width (claw width J) [mm]	35 mm
O	Hook base depth usable (claw depth usable O) [mm]	17 mm
H	Total hook root depth (total claw depth H) [mm]	52 mm
L	Total claw thickness (L+1mm) (claw distance to base surface) [mm]	6,5 mm
Z	Total length [mm]	440 mm

Abbreviation	Attribut	Wert
A	Clamping depth outside pull-off [mm]	400 mm
K	Hook root thickness at the tip (claw thickness K) [mm]	6,5 mm
J	Hook base width (claw width J) [mm]	35 mm
O	Hook base depth usable (claw depth usable O) [mm]	17 mm
H	Total hook root depth (total claw depth H) [mm]	52 mm
L	Total claw thickness (L+1mm) (claw distance to base surface) [mm]	6,5 mm
Z	Total length [mm]	440 mm



Abbreviation	Attribut	Wert
A	Clamping depth outside pull-off [mm]	400 mm
K	Hook root thickness at the tip (claw thickness K) [mm]	6,5 mm
J	Hook base width (claw width J) [mm]	35 mm
O	Hook base depth usable (claw depth usable O) [mm]	17 mm
H	Total hook root depth (total claw depth H) [mm]	52 mm
L	Total claw thickness (L+1mm) (claw distance to base surface) [mm]	6,5 mm
Z	Total length [mm]	440 mm



Abbreviation	Attribut	Wert
A	Clamping depth outside pull-off [mm]	400 mm
K	Hook root thickness at the tip (claw thickness K) [mm]	6,5 mm

J	Hook base width (claw width J) [mm]	35 mm
O	Hook base depth usable (claw depth usable O) [mm]	17 mm
H	Total hook root depth (total claw depth H) [mm]	52 mm
L	Total claw thickness (L+1mm) (claw distance to base surface) [mm]	6,5 mm
Z	Total length [mm]	440 mm