

# 1-254-S Extremely narrow jaws (set, reach 250 mm)



## DESCRIPTION

The set of three extremely narrow jaws is suitable for 3-jaw universal pullers. The trapezoidal contact surface of the claw ensures that even very tight and hard-to-reach gaps are accessed.

## APPLICATION AREA

As accessories for very tight and poorly accessible gaps.

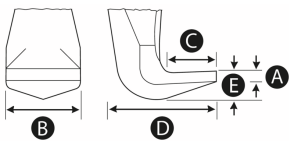
## BENEFIT

- By using the freely movable, sliding jaws on the crossbar, eccentric components can also be pulled off.

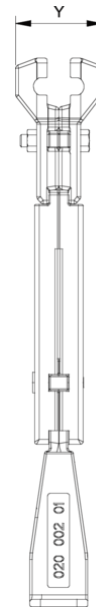
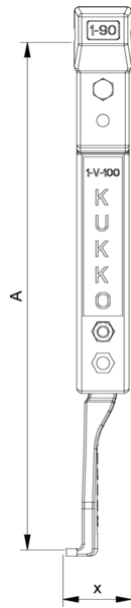
## MASTER DATA

GTIN [EAN]	4021176484520
Country of origin	DE
Case material	Tool steel
Series	4-S
Net weight [kg]	1,89 kg
Package contents	1 set
Packaging Act	PAP 21
Global sales capability given	Yes (REACH, RoHS, POP, PROP65, TSCA)

## DETAIL IMAGE

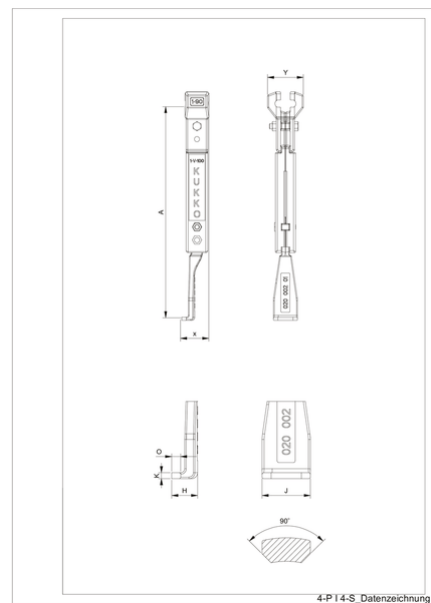
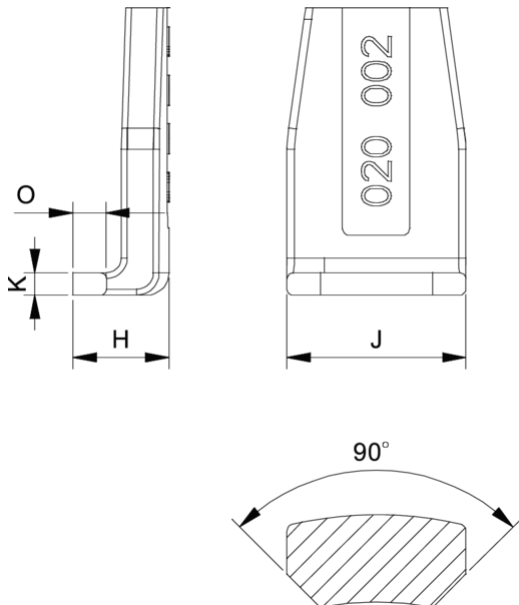


# Extremely narrow jaws (set, reach 250 mm)



Abbreviation	Attribut	Wert
A	Clamping depth outside pull-off [mm]	250 mm
K	Hook root thickness at the tip (claw thickness K) [mm]	3 mm
J	Hook base width (claw width J) [mm]	24 mm
O	Hook base depth usable (claw depth usable O) [mm]	7 mm
H	Total hook root depth (total claw depth H) [mm]	12 mm
L	Total claw thickness (L+1mm) (claw distance to base surface) [mm]	3 mm
Z	Total length [mm]	277 mm

Abbreviation	Attribut	Wert
A	Clamping depth outside pull-off [mm]	250 mm
K	Hook root thickness at the tip (claw thickness K) [mm]	3 mm
J	Hook base width (claw width J) [mm]	24 mm
O	Hook base depth usable (claw depth usable O) [mm]	7 mm
H	Total hook root depth (total claw depth H) [mm]	12 mm
L	Total claw thickness (L+1mm) (claw distance to base surface) [mm]	3 mm
Z	Total length [mm]	277 mm



Abbreviation	Attribut	Wert
A	Clamping depth outside pull-off [mm]	250 mm
K	Hook root thickness at the tip (claw thickness K) [mm]	3 mm

Abbreviation	Attribut	Wert
A	Clamping depth outside pull-off [mm]	250 mm
K	Hook root thickness at the tip (claw thickness K) [mm]	3 mm

J	Hook base width (claw width J) [mm]	24 mm
O	Hook base depth usable (claw depth usable O) [mm]	7 mm
H	Total hook root depth (total claw depth H) [mm]	12 mm
L	Total claw thickness (L+1mm) (claw distance to base surface) [mm]	3 mm
Z	Total length [mm]	277 mm

J	Hook base width (claw width J) [mm]	24 mm
O	Hook base depth usable (claw depth usable O) [mm]	7 mm
H	Total hook root depth (total claw depth H) [mm]	12 mm
L	Total claw thickness (L+1mm) (claw distance to base surface) [mm]	3 mm
Z	Total length [mm]	277 mm