

2-151-S Narrow jaws (set, reach 150 mm)



DESCRIPTION

The set of three narrow jaws is suitable for 3-jaw universal pullers. The narrow jaws ensure that even tight and hard-to-reach spaces are accessible.

APPLICATION AREA

As an accessory for tight and hard-to-reach spaces.

BENEFIT

- Through the freely movable jaws gliding on the crossbar, eccentric components can also be pulled off.

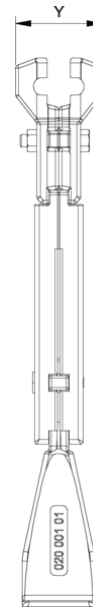
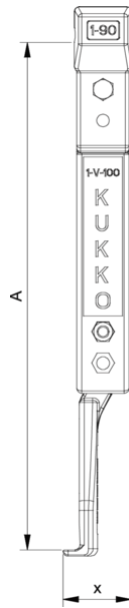
MASTER DATA

| | |
|-------------------------------|--------------------------------------|
| GTIN [EAN] | 4021176728686 |
| Country of origin | DE |
| Case material | Tool steel |
| Series | 1-S |
| Net weight [kg] | 1,78 kg |
| Package contents | 1 set |
| Packaging Act | PAP 21 |
| Global sales capability given | Yes (REACH, RoHS, POP, PROP65, TSCA) |

DETAIL IMAGE

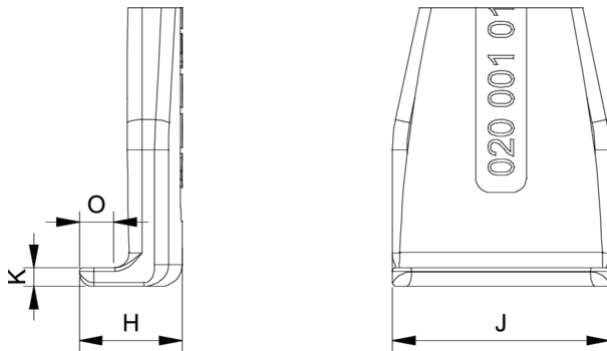


Narrow jaws (set, reach 150 mm)

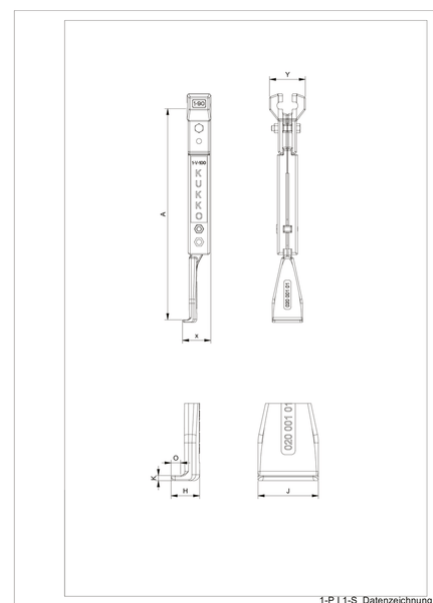


| Abbreviation | Attribut | Wert |
|--------------|---|--------|
| A | Clamping depth outside pull-off [mm] | 150 mm |
| K | Hook root thickness at the tip (claw thickness K) [mm] | 4 mm |
| J | Hook base width (claw width J) [mm] | 32 mm |
| O | Hook base depth usable (claw depth usable O) [mm] | 8 mm |
| H | Total hook root depth (total claw depth H) [mm] | 19 mm |
| L | Total claw thickness (L+1mm) (claw distance to base surface) [mm] | 4 mm |
| Z | Total length [mm] | 186 mm |

| Abbreviation | Attribut | Wert |
|--------------|---|--------|
| A | Clamping depth outside pull-off [mm] | 150 mm |
| K | Hook root thickness at the tip (claw thickness K) [mm] | 4 mm |
| J | Hook base width (claw width J) [mm] | 32 mm |
| O | Hook base depth usable (claw depth usable O) [mm] | 8 mm |
| H | Total hook root depth (total claw depth H) [mm] | 19 mm |
| L | Total claw thickness (L+1mm) (claw distance to base surface) [mm] | 4 mm |
| Z | Total length [mm] | 186 mm |



| Abbreviation | Attribut | Wert |
|--------------|---|--------|
| A | Clamping depth outside pull-off [mm] | 150 mm |
| K | Hook root thickness at the tip (claw thickness K) [mm] | 4 mm |
| J | Hook base width (claw width J) [mm] | 32 mm |
| O | Hook base depth usable (claw depth usable O) [mm] | 8 mm |
| H | Total hook root depth (total claw depth H) [mm] | 19 mm |
| L | Total claw thickness (L+1mm) (claw distance to base surface) [mm] | 4 mm |
| Z | Total length [mm] | 186 mm |



| Abbreviation | Attribut | Wert |
|--------------|--|--------|
| A | Clamping depth outside pull-off [mm] | 150 mm |
| K | Hook root thickness at the tip (claw thickness K) [mm] | 4 mm |

| | | |
|---|---|--------|
| J | Hook base width (claw width J) [mm] | 32 mm |
| O | Hook base depth usable (claw depth usable O) [mm] | 8 mm |
| H | Total hook root depth (total claw depth H) [mm] | 19 mm |
| L | Total claw thickness (L+1mm) (claw distance to base surface) [mm] | 4 mm |
| Z | Total length [mm] | 186 mm |