

# 1-401-S Narrow jaws (set, reach 400 mm)



## DESCRIPTION

The set of three narrow jaws is suitable for 3-jaw universal pullers. The narrow jaws ensure that even tight and hard-to-reach spaces are accessible.

## APPLICATION AREA

As an accessory for tight and hard-to-reach spaces.

## BENEFIT

- Through the freely movable jaws gliding on the crossbar, eccentric components can also be pulled off.

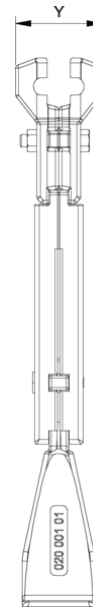
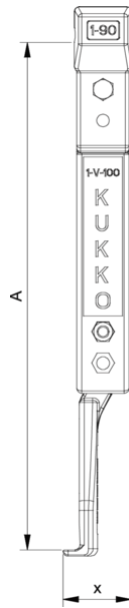
## MASTER DATA

|                               |                                      |
|-------------------------------|--------------------------------------|
| GTIN [EAN]                    | 4021176985034                        |
| Country of origin             | DE                                   |
| Case material                 | Tool steel                           |
| Series                        | 1-S                                  |
| Net weight [kg]               | 3,24 kg                              |
| Package contents              | 1 set                                |
| Packaging Act                 | PP 05                                |
| Global sales capability given | Yes (REACH, RoHS, POP, PROP65, TSCA) |

## DETAIL IMAGE

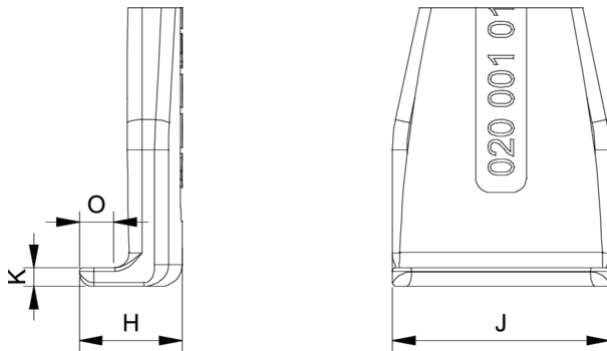


# Narrow jaws (set, reach 400 mm)

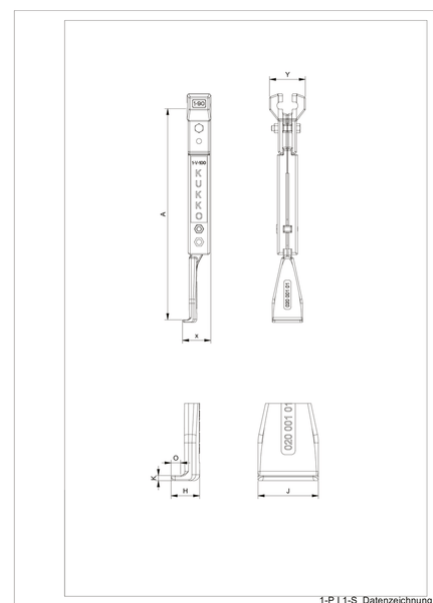


| Abbreviation | Attribut  | Wert   |
|--------------|---|--------|
| A            | Clamping depth outside pull-off [mm]                              | 400 mm |
| K            | Hook root thickness at the tip (claw thickness K) [mm]            | 3 mm   |
| J            | Hook base width (claw width J) [mm]                               | 30 mm  |
| O            | Hook base depth usable (claw depth usable O) [mm]                 | 7 mm   |
| H            | Total hook root depth (total claw depth H) [mm]                   | 14 mm  |
| L            | Total claw thickness (L+1mm) (claw distance to base surface) [mm] | 3 mm   |
| Z            | Total length [mm]   | 427 mm |

| Abbreviation | Attribut  | Wert   |
|--------------|---|--------|
| A            | Clamping depth outside pull-off [mm]                              | 400 mm |
| K            | Hook root thickness at the tip (claw thickness K) [mm]            | 3 mm   |
| J            | Hook base width (claw width J) [mm]                               | 30 mm  |
| O            | Hook base depth usable (claw depth usable O) [mm]                 | 7 mm   |
| H            | Total hook root depth (total claw depth H) [mm]                   | 14 mm  |
| L            | Total claw thickness (L+1mm) (claw distance to base surface) [mm] | 3 mm   |
| Z            | Total length [mm]   | 427 mm |



| Abbreviation | Attribut  | Wert   |
|--------------|---|--------|
| A            | Clamping depth outside pull-off [mm]                              | 400 mm |
| K            | Hook root thickness at the tip (claw thickness K) [mm]            | 3 mm   |
| J            | Hook base width (claw width J) [mm]                               | 30 mm  |
| O            | Hook base depth usable (claw depth usable O) [mm]                 | 7 mm   |
| H            | Total hook root depth (total claw depth H) [mm]                   | 14 mm  |
| L            | Total claw thickness (L+1mm) (claw distance to base surface) [mm] | 3 mm   |
| Z            | Total length [mm]   | 427 mm |



| Abbreviation | Attribut   | Wert   |
|--------------|--|--------|
| A            | Clamping depth outside pull-off [mm]                   | 400 mm |
| K            | Hook root thickness at the tip (claw thickness K) [mm] | 3 mm   |

|   |   |        |
|---|---|--------|
| J | Hook base width (claw width J) [mm]                               | 30 mm  |
| O | Hook base depth usable (claw depth usable O) [mm]                 | 7 mm   |
| H | Total hook root depth (total claw depth H) [mm]                   | 14 mm  |
| L | Total claw thickness (L+1mm) (claw distance to base surface) [mm] | 3 mm   |
| Z | Total length [mm]   | 427 mm |