

18-318A Thread adapter (pair) M18x1,5



DESCRIPTION

The thread adapters of series 18-A are used together with the pullers of series 18 for removing and pulling components with threads, such as dowel pins, keyways, or bolts, in crafts, industry, and workshops. The separation-puller process is capable of first gently separating those parts before they can be pulled out from the outside.

APPLICATION AREA

Together with the pullers of series 18 for pulling off and extracting components with threads, e.g. dowel pins, feather keys or bolts

BENEFIT

- The thread adapters allow for the careful and secure removal of parts with threaded holes.

MASTER DATA

| | |
|-------------------------------|--------------------------------------|
| GTIN [EAN] | 4021176338861 |
| Country of origin | DE |
| Case material | Tool steel |
| Series | 18-A |
| Net weight [kg] | 0,6 kg |
| Package contents | 1 few |
| Packaging Act | PP 05 |
| Global sales capability given | Yes (REACH, RoHS, POP, PROP65, TSCA) |

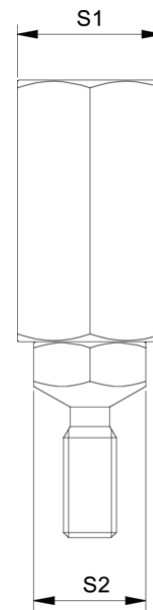
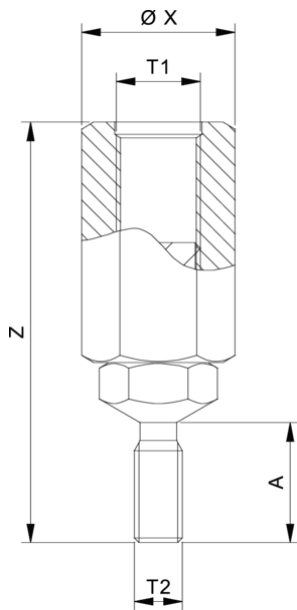
SUITABLE FOR

- 18-3_puller

SPARE PARTS

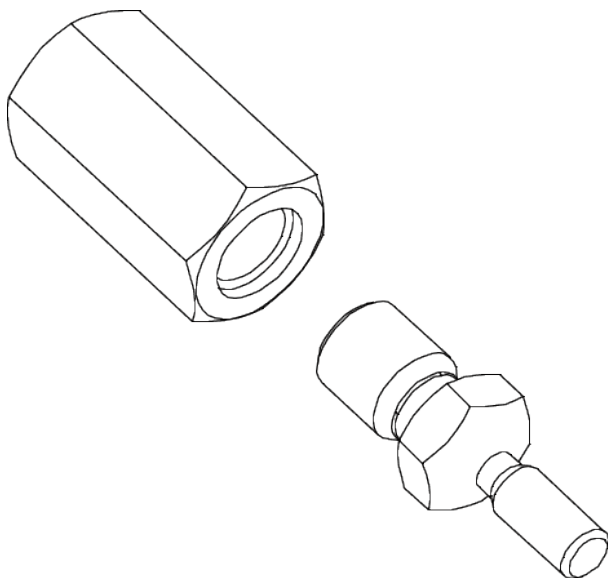
- GE18-1815 spindle insert
- connecting nut

Thread adapter (pair) M18x1,5



| Abbreviation | Attribut | Wert |
|--------------|--|---------|
| Z | Total length [mm] | 99 mm |
| X | Outside diameter of the connecting nut [mm] | 31 mm |
| S1 | Width across flats connecting nut [mm] | 27 mm |
| S2 | Width across flats of thread insert [mm] | 24 mm |
| A | Screw-in length of the thread adapter [mm] | 34 |
| T1 | Mounting thread for tension bolt [nominal dimension] | M18x1,5 |
| T2 | Insert thread [nominal dimension] | M18x1,5 |

| Abbreviation | Attribut | Wert |
|--------------|--|---------|
| Z | Total length [mm] | 99 mm |
| X | Outside diameter of the connecting nut [mm] | 31 mm |
| S1 | Width across flats connecting nut [mm] | 27 mm |
| S2 | Width across flats of thread insert [mm] | 24 mm |
| A | Screw-in length of the thread adapter [mm] | 34 |
| T1 | Mounting thread for tension bolt [nominal dimension] | M18x1,5 |
| T2 | Insert thread [nominal dimension] | M18x1,5 |



| Abbreviation | Attribut | Wert |
|--------------|---|-------|
| Z | Total length [mm] | 99 mm |
| X | Outside diameter of the connecting nut [mm] | 31 mm |
| S1 | Width across flats connecting nut [mm] | 27 mm |
| S2 | Width across flats of thread insert [mm] | 24 mm |

| | | |
|----|--|---------|
| A | Screw-in length of the thread adapter [mm] | 34 |
| T1 | Mounting thread for tension bolt [nominal dimension] | M18x1,5 |
| T2 | Insert thread [nominal dimension] | M18x1,5 |