

# 18-005A Thread adapter (pair) M5



## DESCRIPTION

The thread adapters of series 18-A are used together with the pullers of series 18 for removing and pulling components with threads, such as dowel pins, keyways, or bolts, in crafts, industry, and workshops. The separation-puller process is capable of first gently separating those parts before they can be pulled out from the outside.

## APPLICATION AREA

Together with the pullers of series 18 for pulling off and extracting components with threads, e.g. dowel pins, feather keys or bolts

## BENEFIT

- The thread adapters allow for the careful and secure removal of parts with threaded holes.

## MASTER DATA

GTIN [EAN]	4021176337468
Country of origin	DE
Case material	Tool steel
Series	18-A
Net weight [kg]	0,4 kg
Package contents	1 few
Packaging Act	PP 05
Global sales capability given	Yes (REACH, RoHS, POP, PROP65, TSCA)

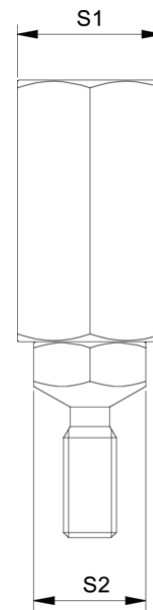
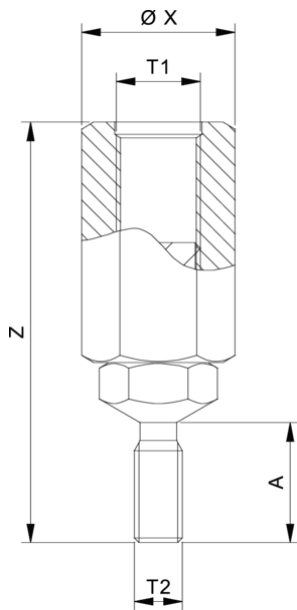
## SUITABLE FOR

- 18-0\_extractor device
- 18-1\_Extractor Device

## SPARE PARTS

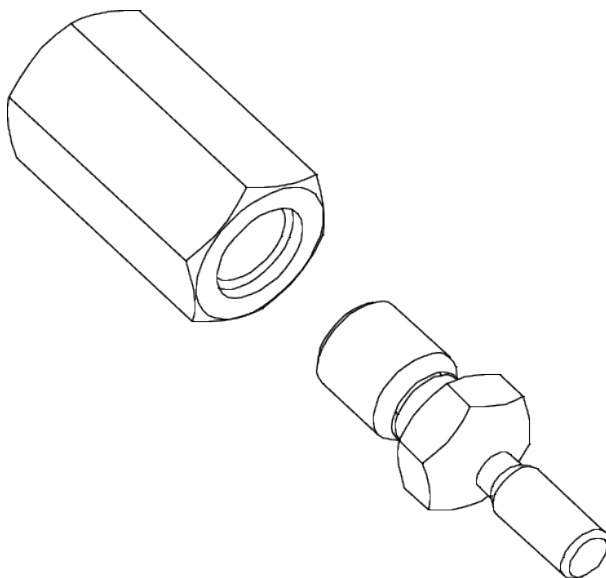
- GE5-10\_spindle insert
- connecting nut

# Thread adapter (pair) M5



Abbreviation	Attribut	Wert
Z	Total length [mm]	55 mm
X	Outside diameter of the connecting nut [mm]	16 mm
S1	Width across flats connecting nut [mm]	14 mm
S2	Width across flats of thread insert [mm]	14 mm
A	Screw-in length of the thread adapter [mm]	15
T1	Mounting thread for tension bolt [nominal dimension]	M10
T2	Insert thread [nominal dimension]	M5

Abbreviation	Attribut	Wert
Z	Total length [mm]	55 mm
X	Outside diameter of the connecting nut [mm]	16 mm
S1	Width across flats connecting nut [mm]	14 mm
S2	Width across flats of thread insert [mm]	14 mm
A	Screw-in length of the thread adapter [mm]	15
T1	Mounting thread for tension bolt [nominal dimension]	M10
T2	Insert thread [nominal dimension]	M5



Abbreviation	Attribut	Wert
Z	Total length [mm]	55 mm
X	Outside diameter of the connecting nut [mm]	16 mm
S1	Width across flats connecting nut [mm]	14 mm
S2	Width across flats of thread insert [mm]	14 mm

A	Screw-in length of the thread adapter [mm]	15
T1	Mounting thread for tension bolt [nominal dimension]	M10
T2	Insert thread [nominal dimension]	M5