

19-1-P Two extensions for pullers (100 mm extension, mounting thread M10)



DESCRIPTION

The extensions for pullers are used together with the pullers of series 18 in craft, industry, and workshop to increase the reach of the puller. The extensions are available in various lengths in pairs.

APPLICATION AREA

Together with the extractors of the series 18

BENEFIT

- The extensions are combinable with each other, allowing for optimal adjustment to the required reach.

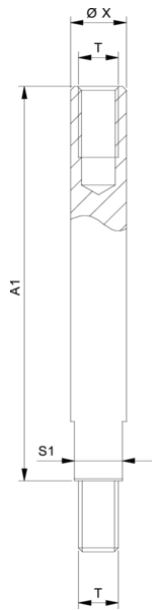
MASTER DATA

GTIN [EAN]	4021176169984
Country of origin	DE
Case material	Tool steel
Series	19-P
Net weight [kg]	0,23 kg
Package contents	1 few
Packaging Act	PAP 21
Global sales capability given	Yes (REACH, RoHS, POP, PROP65, TSCA)

SUITABLE FOR

- 18-0_extractor device
- 18-1_Extractor Device

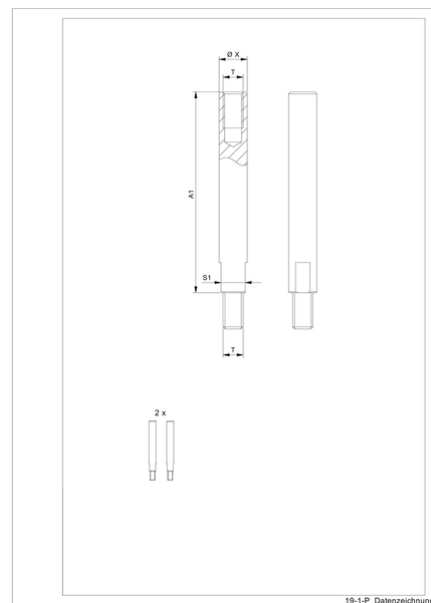
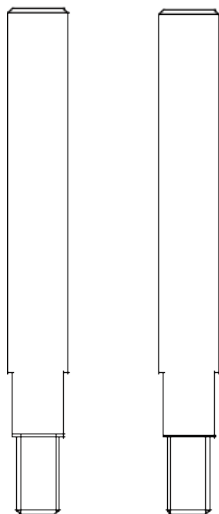
Two extensions for pullers (100 mm extension, mounting thread M10)



Abbreviation	Attribut	Wert
T	Mounting thread [nominal dimension]	M10
A1	Length by which is extended [mm]	100 mm
Z	Total length [mm]	100 mm
X	Outer diameter of the extension [mm]	14 mm
S1	Width across flats [mm]	12

Abbreviation	Attribut	Wert
T	Mounting thread [nominal dimension]	M10
A1	Length by which is extended [mm]	100 mm
Z	Total length [mm]	100 mm
X	Outer diameter of the extension [mm]	14 mm
S1	Width across flats [mm]	12

2 x



Abbreviation	Attribut	Wert
T	Mounting thread [nominal dimension]	M10
A1	Length by which is extended [mm]	100 mm
Z	Total length [mm]	100 mm
X	Outer diameter of the extension [mm]	14 mm
S1	Width across flats [mm]	12

Abbreviation	Attribut	Wert
T	Mounting thread [nominal dimension]	M10
A1	Length by which is extended [mm]	100 mm
Z	Total length [mm]	100 mm
X	Outer diameter of the extension [mm]	14 mm
S1	Width across flats [mm]	12