

18-0 Puller, up to spread, 150 mm reach M10



APPLICATION IMAGE



DETAIL IMAGE



DESCRIPTION

The pullers of series 18 are used in conjunction with the separating devices of series 15 and 17 for pulling flat-lying or thin-walled parts in craft, industry, and workshops when there is not enough space for jaws. The separating-pulling process is capable of initially separating those parts gently before they can be externally pulled off.

APPLICATION AREA

Together with the cut-off devices of series 15 and 17 for the removal of flat or thin-walled parts

BENEFIT

- By screwing the separator and puller device, the highest stability when pulling is ensured.
- If the separating jaws are screwed into the clamping device the other way around, the support surface is enlarged and pulled off more gently.
- Due to its simple design, special separating devices can also be easily created in-house for the series 18.

OPERATION

- Press the sharp edges of the separator behind the part
- Tighten the separating jaws evenly by adjusting the nuts on the side bolts of the separator and ensure that the separating blades sit flush under the part being removed
- Thread the tension bolt of the extraction device fully into the threaded holes of the separator
- Hold the separator firmly and carefully pull the relevant part off securely by tightening the clamping nut

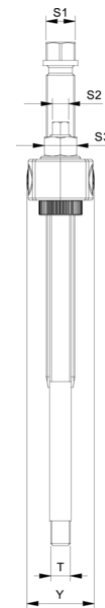
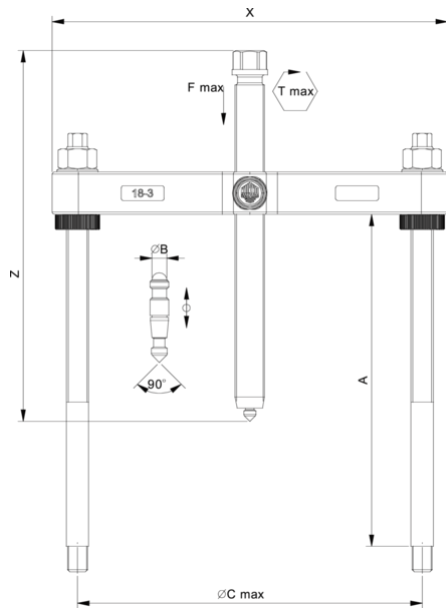
MASTER DATA

GTIN [EAN]	4021176075599
Country of origin	DE
Case material	Tool steel
Series	18
Net weight [kg]	0,825 kg
Package contents	1 piece
Packaging Act	PAP 21
Global sales capability given	Yes (REACH, RoHS, POP, PROP65, TSCA)

SPARE PARTS

- 018175_side screw
- 18-0-T_Crossbar
- 612130_Mechanical pressure spindle

Puller, up to spread, 150 mm reach M10



Abbreviation	Attribut	Wert
X	Total width [mm]	144 mm
Y	Total depth [mm]	26 mm
S1	Width across flats [mm]	13 mm
Tmax	Max. torque [Nm]	40 Nm
Fmax	Max. tractive force [t]	3 t
Fmax	Max. tensile force [kN]	30 kN
A	Clamping depth [mm]	150 mm
T	Mounting thread for separator [nominal dimension]	M10
S2	Width across flats [mm]	8 mm

Abbreviation	Attribut	Wert
X	Total width [mm]	144 mm
Y	Total depth [mm]	26 mm
S1	Width across flats [mm]	13 mm
Tmax	Max. torque [Nm]	40 Nm
Fmax	Max. tractive force [t]	3 t
Fmax	Max. tensile force [kN]	30 kN
A	Clamping depth [mm]	150 mm
T	Mounting thread for separator [nominal dimension]	M10
S2	Width across flats [mm]	8 mm