

# 22-2 Counter stay, up to 100 mm spread, 165 mm reach



## APPLICATION IMAGE



## DESCRIPTION

The supports of the series 22 are used together with the internal extractors of the series 21 in crafts, industry, and workshops. Supports are particularly well suited for large cylinder bushings and ball bearings, etc., thanks to the ribbed shape of the support feet, and ensure a firm stand during extraction. In this way, the gentle extraction of internal components is improved. Unlike a sliding hammer, a counter stay allows for more precise work with greater force.

## APPLICATION AREA

Together with internal extractors of series 21

## BENEFIT

- Sizes from 21-2 are particularly low-friction due to integrated pressure bearings in the form.
- The friction resistance of the counter nut is minimized by an integrated pressure bearing.

## OPERATION

- Determine the internal diameter of the Ball bearing and select a suitable Internal extractor
- Insert the Internal extractor into the bore and tighten the clamping nut
- Support the Counter stay on the housing and screw it onto the wedge spindle of the Internal extractor
- Hold the handle of the Counterstays and pull out the bearing safely by tightening the hexagon nut
- Retighten the clamping nut when pulling out

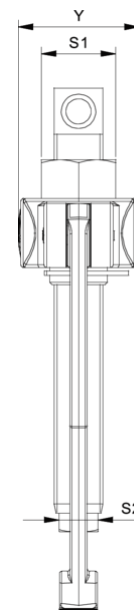
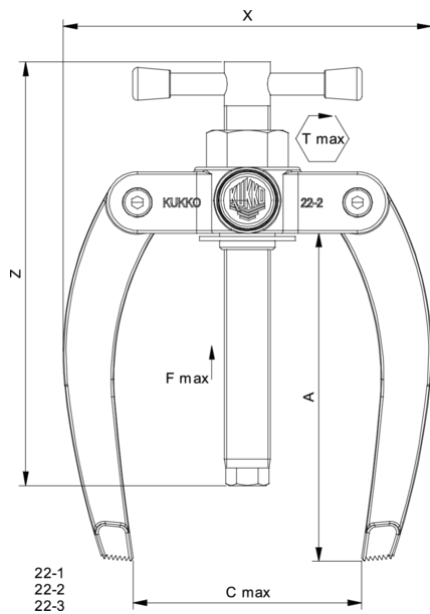
## MASTER DATA

GTIN [EAN]	4021176012303
Country of origin	DE
Case material	Tool steel
Series	22
Net weight [kg]	1,873 kg
Package contents	1 piece
Packaging Act	PAP 21
Global sales capability given	Yes (REACH, RoHS, POP, PROP65, TSCA)

## SPARE PARTS

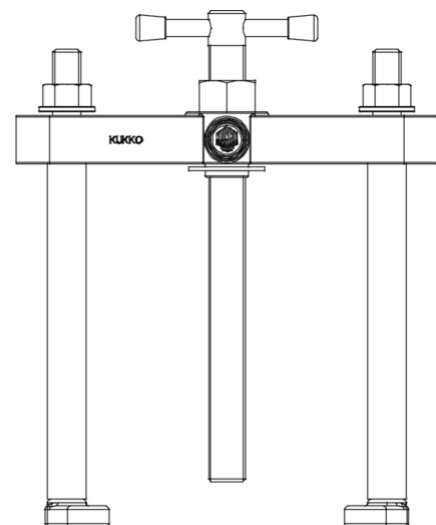
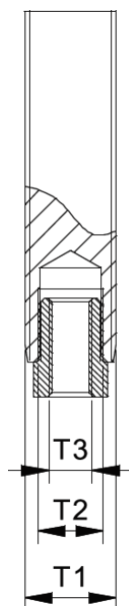
- 022-206\_Replacement spindle
- 22-2-1-P\_2 jaws (pair)
- 22-2-T\_crossbar
- Powernut

# Counter stay, up to 100 mm spread, 165 mm reach



Abbreviation	Attribut	Wert
X	Total width [mm]	190 mm
Y	Total depth [mm]	52 mm
S1	Width across flats [mm]	32 mm
Fmax	Max. tractive force [t]	4 t
Fmax	Max. tensile force [kN]	40 kN
A	Clamping depth [mm]	165 mm
T1	External thread of the spindle [nominal dimension]	G 1/2
T2	Internal thread of the spindle [nominal dimension]	15-16 G, M10

Abbreviation	Attribut	Wert
X	Total width [mm]	190 mm
Y	Total depth [mm]	52 mm
S1	Width across flats [mm]	32 mm
Fmax	Max. tractive force [t]	4 t
Fmax	Max. tensile force [kN]	40 kN
A	Clamping depth [mm]	165 mm
T1	External thread of the spindle [nominal dimension]	G 1/2
T2	Internal thread of the spindle [nominal dimension]	15-16 G, M10



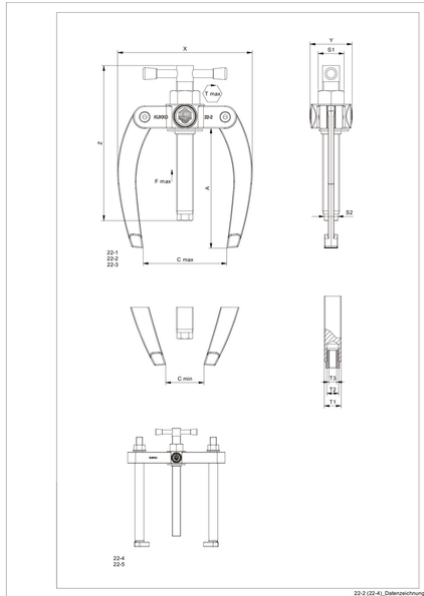
22-4  
22-5

Abbreviation	Attribut	Wert
--------------	----------	------

Abbreviation	Attribut	Wert
--------------	----------	------

X	Total width [mm]	190 mm
Y	Total depth [mm]	52 mm
S1	Width across flats [mm]	32 mm
Fmax	Max. tractive force [t]	4 t
Fmax	Max. tensile force [kN]	40 kN
A	Clamping depth [mm]	165 mm
T1	External thread of the spindle [nominal dimension]	G 1/2
T2	Internal thread of the spindle [nominal dimension]	15-16 G, M10

X	Total width [mm]	190 mm
Y	Total depth [mm]	52 mm
S1	Width across flats [mm]	32 mm
Fmax	Max. tractive force [t]	4 t
Fmax	Max. tensile force [kN]	40 kN
A	Clamping depth [mm]	165 mm
T1	External thread of the spindle [nominal dimension]	G 1/2
T2	Internal thread of the spindle [nominal dimension]	15-16 G, M10



Abbreviation	Attribut	Wert
X	Total width [mm]	190 mm
Y	Total depth [mm]	52 mm
S1	Width across flats [mm]	32 mm
Fmax	Max. tractive force [t]	4 t
Fmax	Max. tensile force [kN]	40 kN
A	Clamping depth [mm]	165 mm
T1	External thread of the spindle [nominal dimension]	G 1/2
T2	Internal thread of the spindle [nominal dimension]	15-16 G, M10