

120-2 2-jaw universal puller "VARIO" with spring-loaded fall protection, up to 150 mm spread, 150 mm reach



DESCRIPTION

The 2-jaw universal puller "VARIO" with spring-loaded safety device is used to remove bearings, gears, and discs in all common sizes for crafts, workshops, and industry. It can loosen any component that sits on a shaft and is freely accessible from the outside. Equipped with robust, always parallel jaws, the puller ensures particularly safe, damage-free disassembly both for external extraction and internal extraction. The safety device prevents the jaws from slipping off the crossbar.

APPLICATION AREA

For pulling off bearings, gears and pulleys

BENEFIT

- Fall protection protects against the jaws sliding off the crossbar.
- By pressing the safety lock, a particularly fast inversion of the jaws is guaranteed.
- Application also for eccentric components through free-moving, sliding puller jaws on the crossbar.
- Adjustment to any span between 20 mm – 150 mm
- Safe mounting of the spindle with a movable spindle tip on both smooth surfaces and for centering (Switch Technology)
- Optional convertible from an external puller to an internal extractor by flipping the jaws.
- Anti-slip safety at the spindle neck for safe working with a wrench.

OPERATION

- Place the puller jaws from the outside onto the part to be removed
- Slide the claws under the component
- Manually pull the spindle for fixation
- Set the hexagon on the spindle head into motion with a ratchet or an open-end wrench until the component is detached

APPLICATION IMAGE



DETAIL IMAGE



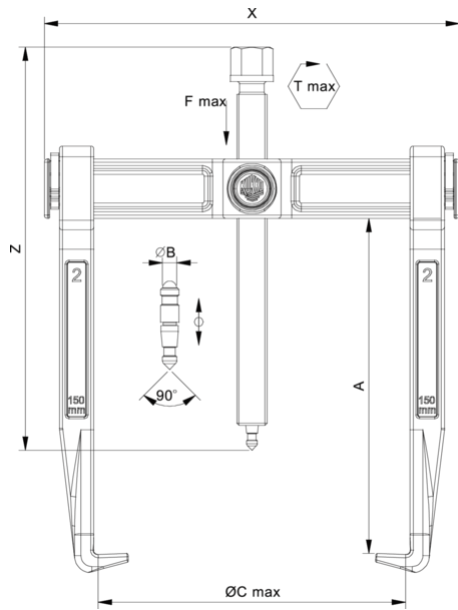
MASTER DATA

GTIN [EAN]	4021176918636
Country of origin	DE
Case material	Tool steel
Series	120
Net weight [kg]	1,28 kg
Package contents	1 piece
Packaging Act	PAP 21
Global sales capability given	Yes (REACH, RoHS, POP, PROP65, TSCA)

SPARE PARTS

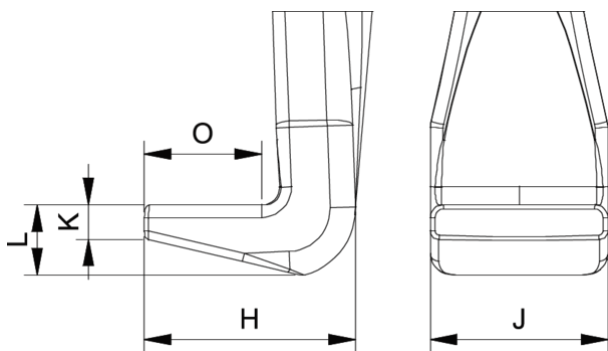
- 0-148-P_2 jaws (Pair)
- 120-2-T_Crossbar
- 614160_Mechanical pressure spindle

2-jaw universal puller "VARIO" with spring-loaded fall protection, up to 150 mm spread, 150 mm reach



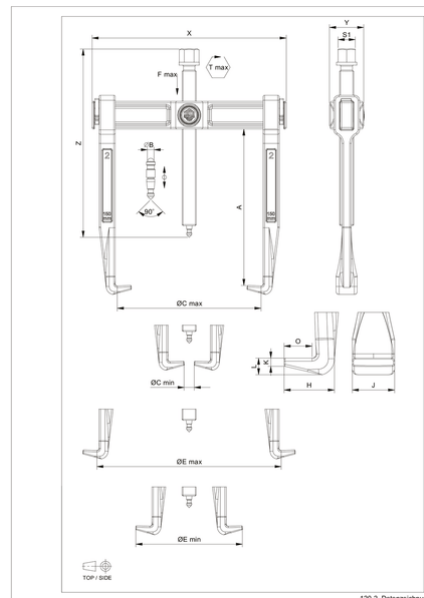
Abbreviation	Attribut	Wert
X	Total width [mm]	195 mm
Y	Total depth [mm]	35 mm
Z	Total height [mm]	180,5 mm
A	Clamping depth outside pull-off [mm]	150 mm
S1	Width across flats [mm]	17 mm
Cmin	Span outside pull-off (min.) [mm]	20 mm
Cmax	Span outside pull-off (max.) [mm]	150 mm
K	Hook root thickness at the tip (claw thickness K) [mm]	4,5 mm
J	Hook base width (claw width J) [mm]	21 mm
O	Hook base depth usable (claw depth usable O) [mm]	15 mm
H	Total hook root depth (total claw depth H) [mm]	32 mm
L	Total claw thickness (L+1mm) (claw distance to base surface) [mm]	9 mm
Emin	Span inside pull-out (min.) [mm]	100 mm
Emax	Span inside pull-out (max.) [mm]	180 mm
Tmax	Max. torque [Nm]	80 Nm
Fmax	Max. tractive force [t]	3 t
Fmax	Max. tensile force [kN]	30 kN

Abbreviation	Attribut	Wert
X	Total width [mm]	195 mm
Y	Total depth [mm]	35 mm
Z	Total height [mm]	180,5 mm
A	Clamping depth outside pull-off [mm]	150 mm
S1	Width across flats [mm]	17 mm
Cmin	Span outside pull-off (min.) [mm]	20 mm
Cmax	Span outside pull-off (max.) [mm]	150 mm
K	Hook root thickness at the tip (claw thickness K) [mm]	4,5 mm
J	Hook base width (claw width J) [mm]	21 mm
O	Hook base depth usable (claw depth usable O) [mm]	15 mm
H	Total hook root depth (total claw depth H) [mm]	32 mm
L	Total claw thickness (L+1mm) (claw distance to base surface) [mm]	9 mm
Emin	Span inside pull-out (min.) [mm]	100 mm
Emax	Span inside pull-out (max.) [mm]	180 mm
Tmax	Max. torque [Nm]	80 Nm
Fmax	Max. tractive force [t]	3 t
Fmax	Max. tensile force [kN]	30 kN



Abbreviation	Attribut	Wert
--------------	----------	------

X	Total width [mm]	195 mm
Y	Total depth [mm]	35 mm
Z	Total height [mm]	180,5 mm
A	Clamping depth outside pull-off [mm]	150 mm
S1	Width across flats [mm]	17 mm
Cmin	Span outside pull-off (min.) [mm]	20 mm
Cmax	Span outside pull-off (max.) [mm]	150 mm
K	Hook root thickness at the tip (claw thickness K) [mm]	4,5 mm
J	Hook base width (claw width J) [mm]	21 mm
O	Hook base depth usable (claw depth usable O) [mm]	15 mm
H	Total hook root depth (total claw depth H) [mm]	32 mm
L	Total claw thickness (L+1mm) (claw distance to base surface) [mm]	9 mm
Emin	Span inside pull-out (min.) [mm]	100 mm
Emax	Span inside pull-out (max.) [mm]	180 mm
Tmax	Max. torque [Nm]	80 Nm
Fmax	Max. tractive force [t]	3 t
Fmax	Max. tensile force [kN]	30 kN



Abbreviation	Attribut	Wert
X	Total width [mm]	195 mm
Y	Total depth [mm]	35 mm
Z	Total height [mm]	180,5 mm
A	Clamping depth outside pull-off [mm]	150 mm
S1	Width across flats [mm]	17 mm
Cmin	Span outside pull-off (min.) [mm]	20 mm
Cmax	Span outside pull-off (max.) [mm]	150 mm
K	Hook root thickness at the tip (claw thickness K) [mm]	4,5 mm
J	Hook base width (claw width J) [mm]	21 mm
O	Hook base depth usable (claw depth usable O) [mm]	15 mm
H	Total hook root depth (total claw depth H) [mm]	32 mm
L	Total claw thickness (L+1mm) (claw distance to base surface) [mm]	9 mm
Emin	Span inside pull-out (min.) [mm]	100 mm
Emax	Span inside pull-out (max.) [mm]	180 mm
Tmax	Max. torque [Nm]	80 Nm
Fmax	Max. tractive force [t]	3 t
Fmax	Max. tensile force [kN]	30 kN