

# 140-3 Micro-Puller for small parts, model making, up to 18 mm spread, 18 mm reach



## APPLICATION IMAGE



## DESCRIPTION

The micro puller is used for removing speedometer cables, pressure gauges, clocks, and similar parts. Especially in model making, the small parts puller is a helpful and reliable tool. The handy and space-saving model features narrow jaws that are particularly suitable for tight, hard-to-reach areas. The freely movable pin on the T-handle ensures comfortable one-handed tightening of the spindle in cramped spaces. The spindle tip can be easily replaced using a magnetic closure.

## APPLICATION AREA

For pulling off speedometer shafts, manometers, clocks and similar parts

## BENEFIT

- Integrated, free-moving pin on the T handle ensures manual spindle drive in the tightest spaces
- Compact and handy design for precise work in tight spaces
- Narrow gripping jaws reach even the tightest spaces.
- The magnetic closure ensures a quick exchange of the spindle tip.

## OPERATION

- Slide the jaws under the part to be removed
- Manually pull the spindle for fixation
- Move the T-handle on the spindle head until the component is released

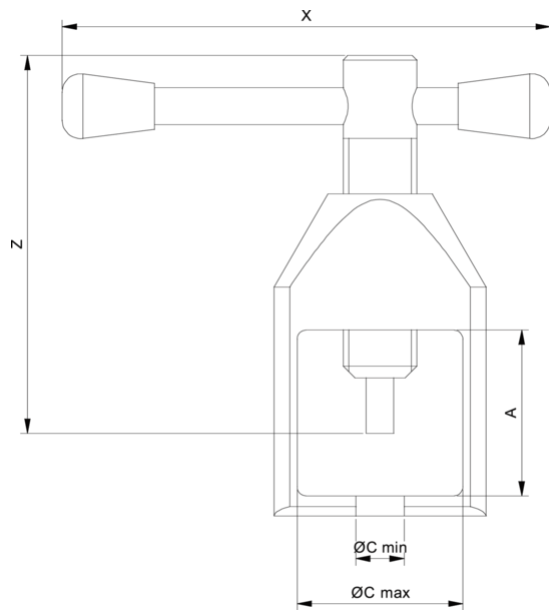
## MASTER DATA

GTIN [EAN]	4021176266751
Country of origin	DE
Case material	Tool steel
Series	140
Net weight [kg]	0,35 kg
Package contents	1 piece
Packaging Act	PAP 21
Global sales capability given	Yes (REACH, RoHS, POP, PROP65, TSCA)

## SPARE PARTS

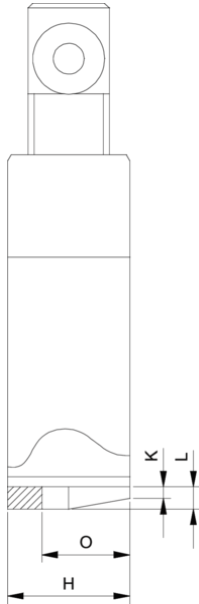
- 140-S-E\_5 replacement tips

# Micro-Puller for small parts, model making, up to 18 mm spread, 18 mm reach

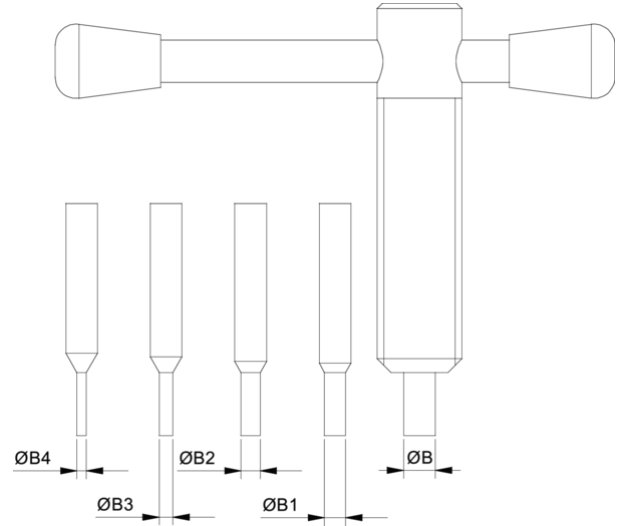


Abbreviation	Attribut	Wert
X	Total width [mm]	50 mm
Y	Total depth [mm]	12 mm
Z	Total height [mm]	40 mm
A	Clamping depth outside pull-off [mm]	18 mm
Cmin	Span outside pull-off (min.) [mm]	5,5 mm
Cmax	Span outside pull-off (max.) [mm]	18 mm
K	Hook root thickness at the tip (claw thickness K) [mm]	1 mm
H	Total hook root depth (total claw depth H) [mm]	12 mm
L	Total claw thickness (L+1mm) (claw distance to base surface) [mm]	2,2 mm
B	Center point diameter [mm]	0,9, 1,3, 1,8, 2,0, 3,0

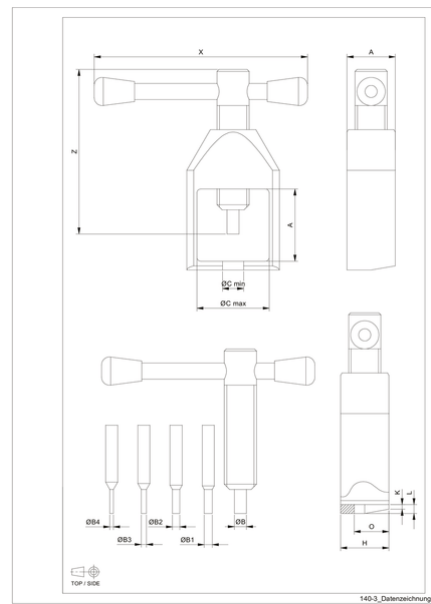
Abbreviation	Attribut	Wert
X	Total width [mm]	50 mm
Y	Total depth [mm]	12 mm
Z	Total height [mm]	40 mm
A	Clamping depth outside pull-off [mm]	18 mm
Cmin	Span outside pull-off (min.) [mm]	5,5 mm
Cmax	Span outside pull-off (max.) [mm]	18 mm
K	Hook root thickness at the tip (claw thickness K) [mm]	1 mm
H	Total hook root depth (total claw depth H) [mm]	12 mm
L	Total claw thickness (L+1mm) (claw distance to base surface) [mm]	2,2 mm
B	Center point diameter [mm]	0,9, 1,3, 1,8, 2,0, 3,0



Abbreviation	Attribut	Wert
X	Total width [mm]	50 mm
Y	Total depth [mm]	12 mm
Z	Total height [mm]	40 mm
A	Clamping depth outside pull-off [mm]	18 mm
Cmin	Span outside pull-off (min.) [mm]	5,5 mm
Cmax	Span outside pull-off (max.) [mm]	18 mm
K	Hook root thickness at the tip (claw thickness K) [mm]	1 mm
H	Total hook root depth (total claw depth H) [mm]	12 mm
L	Total claw thickness (L+1mm) (claw distance to base surface) [mm]	2,2 mm
B	Center point diameter [mm]	0,9, 1,3, 1,8, 2,0, 3,0



Abbreviation	Attribut	Wert
X	Total width [mm]	50 mm
Y	Total depth [mm]	12 mm
Z	Total height [mm]	40 mm
A	Clamping depth outside pull-off [mm]	18 mm
Cmin	Span outside pull-off (min.) [mm]	5,5 mm
Cmax	Span outside pull-off (max.) [mm]	18 mm
K	Hook root thickness at the tip (claw thickness K) [mm]	1 mm
H	Total hook root depth (total claw depth H) [mm]	12 mm
L	Total claw thickness (L+1mm) (claw distance to base surface) [mm]	2,2 mm
B	Center point diameter [mm]	0,9, 1,3, 1,8, 2,0, 3,0



Abbreviation	Attribut	Wert
X	Total width [mm]	50 mm
Y	Total depth [mm]	12 mm
Z	Total height [mm]	40 mm
A	Clamping depth outside pull-off [mm]	18 mm
Cmin	Span outside pull-off (min.) [mm]	5,5 mm
Cmax	Span outside pull-off (max.) [mm]	18 mm
K	Hook root thickness at the tip (claw thickness K) [mm]	1 mm
H	Total hook root depth (total claw depth H) [mm]	12 mm
L	Total claw thickness (L+1mm) (claw distance to base surface) [mm]	2,2 mm

B	Center point diameter [mm]	0,9, 1,3, 1,8, 2,0, 3,0
---	----------------------------	-------------------------------