

204-1 2-jaw bearing puller with side clamp, up to 80 mm spread, 90 mm reach



APPLICATION IMAGE



DETAIL IMAGE



DESCRIPTION

The 2-jaw bearing puller "Cobra" with side clamp is used for pulling particularly stuck ball bearings, bearing rings, and workpieces. With this, it is possible to loosen any component that is mounted on a shaft and is freely accessible from the outside. Thanks to the clamp, the contact pressure of the puller jaws is increased manifold. When the clamp is tightened, the sharp claws of the puller jaws grip underneath the part to be pulled off and loosen it even before the actual pulling process.

APPLICATION AREA

For extracting particularly tightly fitted ball bearings, bearing rings and workpieces

BENEFIT

- The lateral clamp ensures that the puller jaws are pressed particularly firmly against the part to be pulled off.
- The slim design of the jaws allows access to hard-to-reach places.
- Double force application from above and sideways guarantees a 100% secure grip.
- Anti-slip safety (spindle neck) at the spindle head for safe working with a wrench.
- Spindle output for the protection of the thread

OPERATION

- Position the puller jaws from the outside against the part to be removed
- Slide the claws under the component
- Manually pull the spindle for fixation
- Activate the hexagon at the spindle head with a ratchet or a ring spanner until the component is released

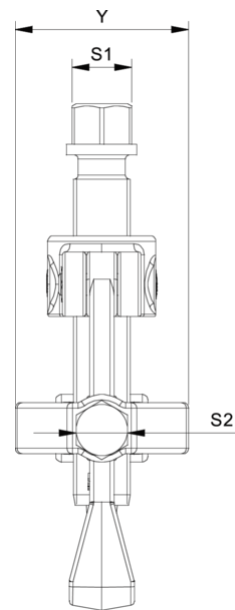
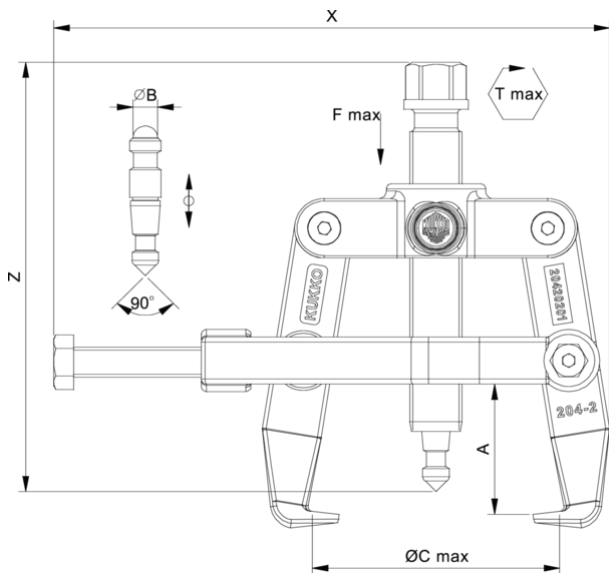
MASTER DATA

GTIN [EAN]	4021176028243
Country of origin	DE
Case material	Tool steel
Series	204
Net weight [kg]	1,385 kg
Package contents	1 piece
Packaging Act	PAP 21
Global sales capability given	Yes (REACH, RoHS, POP, PROP65, TSCA)

SPARE PARTS

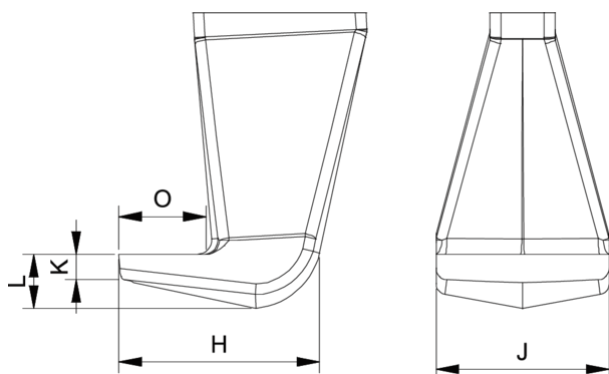
- 204-1-90-P_2 jaws (pair)
- 204-1-T_Crossbar
- 204101_Clamp complete
- 204201_clamp complete
- 616180_Double-sided spindle tip
- 618105_Mechanical spindle

2-jaw bearing puller with side clamp, up to 80 mm spread, 90 mm reach



Abbreviation	Attribut	Wert
X	Total width [mm]	185 mm
Y	Total depth [mm]	58 mm
Z	Total height [mm]	128 mm
A	Clamping depth outside pull-off [mm]	90 mm
S1	Width across flats [mm]	19 mm
Cmin	Span outside pull-off (min.) [mm]	6 mm
Cmax	Span outside pull-off (max.) [mm]	80 mm
K	Hook root thickness at the tip (claw thickness K) [mm]	4 mm
J	Hook base width (claw width J) [mm]	22 mm
O	Hook base depth usable (claw depth usable O) [mm]	12 mm
H	Total hook root depth (total claw depth H) [mm]	22 mm
L	Total claw thickness (L+1mm) (claw distance to base surface) [mm]	8,5 mm
Tmax	Max. torque [Nm]	100 Nm
Fmax	Max. tractive force [t]	5 t
Fmax	Max. tensile force [kN]	50 kN

Abbreviation	Attribut	Wert
X	Total width [mm]	185 mm
Y	Total depth [mm]	58 mm
Z	Total height [mm]	128 mm
A	Clamping depth outside pull-off [mm]	90 mm
S1	Width across flats [mm]	19 mm
Cmin	Span outside pull-off (min.) [mm]	6 mm
Cmax	Span outside pull-off (max.) [mm]	80 mm
K	Hook root thickness at the tip (claw thickness K) [mm]	4 mm
J	Hook base width (claw width J) [mm]	22 mm
O	Hook base depth usable (claw depth usable O) [mm]	12 mm
H	Total hook root depth (total claw depth H) [mm]	22 mm
L	Total claw thickness (L+1mm) (claw distance to base surface) [mm]	8,5 mm
Tmax	Max. torque [Nm]	100 Nm
Fmax	Max. tractive force [t]	5 t
Fmax	Max. tensile force [kN]	50 kN



Abbreviation	Attribut	Wert
X	Total width [mm]	185 mm
Y	Total depth [mm]	58 mm

Z	Total height [mm]	128 mm
A	Clamping depth outside pull-off [mm]	90 mm
S1	Width across flats [mm]	19 mm
Cmin	Span outside pull-off (min.) [mm]	6 mm
Cmax	Span outside pull-off (max.) [mm]	80 mm
K	Hook root thickness at the tip (claw thickness K) [mm]	4 mm
J	Hook base width (claw width J) [mm]	22 mm
O	Hook base depth usable (claw depth usable O) [mm]	12 mm
H	Total hook root depth (total claw depth H) [mm]	22 mm
L	Total claw thickness (L+1mm) (claw distance to base surface) [mm]	8,5 mm
Tmax	Max. torque [Nm]	100 Nm
Fmax	Max. tractive force [t]	5 t
Fmax	Max. tensile force [kN]	50 kN