

483-2 3-jaw force-amplifying, self-centering Puller with self-centering jaws, up to 85 mm spread, 90 mm reach



DETAIL IMAGE



DESCRIPTION

The handy 3-jaw puller with force-amplifying, self-centering, and straining jaws is used for pulling bearings, gears, and discs from tight and hard-to-reach spaces. This allows you to loosen any component that sits on a shaft and is freely accessible from the outside. The integrated force amplification with spring mechanism increases the clamping force proportionally to the pulling force. Tightening the spindle automatically centers the jaws. The 3-jaw design guarantees even load distribution and thus ensures a particularly secure grip on the part being pulled.

APPLICATION AREA

For extracting bearings, gears and pulleys for narrow and poorly accessible gaps

BENEFIT

- Self-centering of the jaws through manual tightening of the spindle (Autogrip Technology)
- The slim design of the jaws enables access to difficult-to-reach areas.
- 3-jaw ensures an even distribution of force and allows for greater pulling forces.
- Anti-slip safety (spindle neck) at the spindle head for safe working with a wrench.
- The thread shape allows for quick tightening of the spindle, as fewer rotations are required.
- Spindle outlet to protect the thread

OPERATION

- Place the puller jaws from the outside onto the part to be removed
- Pivot the claws under the component
- Manually pull the spindle to secure it
- Use a ratchet or a ring spanner to turn the hexagon on the spindle head until the component is loosened

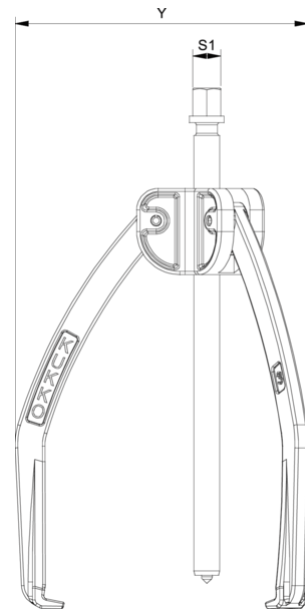
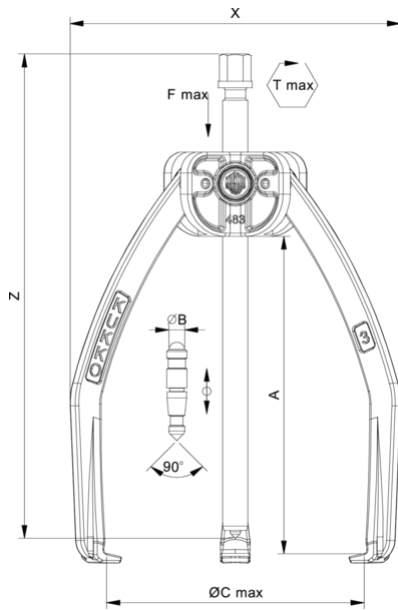
MASTER DATA

GTIN [EAN]	4021176480331
Country of origin	DE
Case material	Tool steel
Series	483
Net weight [kg]	0,425 kg
Package contents	1 piece
Packaging Act	PAP 21
Global sales capability given	Yes (REACH, RoHS, POP, PROP65, TSCA)

SPARE PARTS

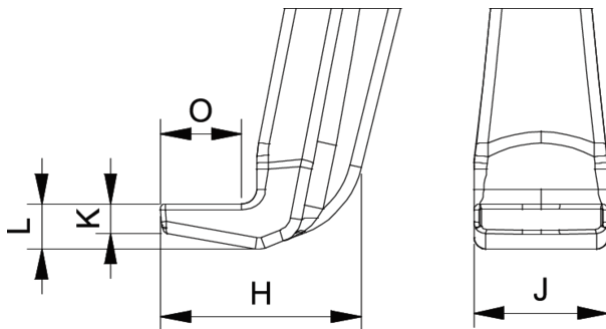
- 482-2-206_pressure spindle
- 483-2-90-S_3 puller jaws (set)
- 483-2-T_Crossbar

3-jaw force-amplifying, self-centering Puller with self-centering jaws, up to 85 mm spread, 90 mm reach



Abbreviation	Attribut	Wert
X	Total width [mm]	105 mm
Y	Total depth [mm]	21 mm
Z	Total height [mm]	150 mm
A	Clamping depth outside pull-off [mm]	90 mm
S1	Width across flats [mm]	T-Griff
Cmin	Span outside pull-off (min.) [mm]	4 mm
Cmax	Span outside pull-off (max.) [mm]	85 mm
K	Hook root thickness at the tip (claw thickness K) [mm]	2,5 mm
J	Hook base width (claw width J) [mm]	8 mm
O	Hook base depth usable (claw depth usable O) [mm]	8 mm
H	Total hook root depth (total claw depth H) [mm]	18 mm
L	Total claw thickness (L+1mm) (claw distance to base surface) [mm]	5 mm
Fmax	Max. tractive force [t]	1.5 t
Fmax	Max. tensile force [kN]	15 kN

Abbreviation	Attribut	Wert
X	Total width [mm]	105 mm
Y	Total depth [mm]	21 mm
Z	Total height [mm]	150 mm
A	Clamping depth outside pull-off [mm]	90 mm
S1	Width across flats [mm]	T-Griff
Cmin	Span outside pull-off (min.) [mm]	4 mm
Cmax	Span outside pull-off (max.) [mm]	85 mm
K	Hook root thickness at the tip (claw thickness K) [mm]	2,5 mm
J	Hook base width (claw width J) [mm]	8 mm
O	Hook base depth usable (claw depth usable O) [mm]	8 mm
H	Total hook root depth (total claw depth H) [mm]	18 mm
L	Total claw thickness (L+1mm) (claw distance to base surface) [mm]	5 mm
Fmax	Max. tractive force [t]	1.5 t
Fmax	Max. tensile force [kN]	15 kN



Abbreviation	Attribut	Wert
X	Total width [mm]	105 mm
Y	Total depth [mm]	21 mm
Z	Total height [mm]	150 mm
A	Clamping depth outside pull-off [mm]	90 mm
S1	Width across flats [mm]	T-Griff

Cmin	Span outside pull-off (min.) [mm]	4 mm
Cmax	Span outside pull-off (max.) [mm]	85 mm
K	Hook root thickness at the tip (claw thickness K) [mm]	2,5 mm
J	Hook base width (claw width J) [mm]	8 mm
O	Hook base depth usable (claw depth usable O) [mm]	8 mm
H	Total hook root depth (total claw depth H) [mm]	18 mm
L	Total claw thickness (L+1mm) (claw distance to base surface) [mm]	5 mm
Fmax	Max. tractive force [t]	1.5 t
Fmax	Max. tensile force [kN]	15 kN