

# 43-0-1 2-jaw small parts puller with self-centering, narrow jaws, up to 60 mm spread, 50 mm reach



## APPLICATION IMAGE



## DESCRIPTION

The handy 2-jaw puller with force-amplifying, self-centering, and narrow jaws is used for feeler removal of particularly small bearings, gears, and discs in especially tight, hard-to-reach spaces. The compact and space-saving design of the puller with narrow jaws that widen towards the claw is particularly suitable for electric motors and similar applications. The freely movable pin on the T-handle ensures comfortable, one-handed tightening of the spindle in the tightest spaces.

## APPLICATION AREA

For the sensitive extraction of particularly small bearings, gears and pulleys for especially narrow, poorly accessible gaps

## BENEFIT

- Self-centering of the jaws through manual tightening of the spindle (Autogrip Technology)
- Integrated, freely movable pin on the T-handle ensures manual spindle drive in tight spaces
- The slim design of the jaws allows access to hard-to-reach places.
- No additional tool is needed for the pulling process.

## OPERATION

- Positioning the puller jaws from the outside on the part to be pulled off
- Swiveling the jaws under the component
- Manually pulling the spindle for fixation
- Moving the T-handle on the spindle head until the component is released

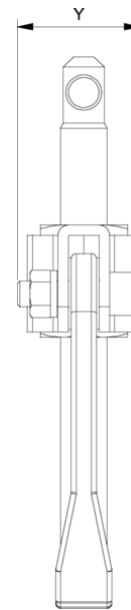
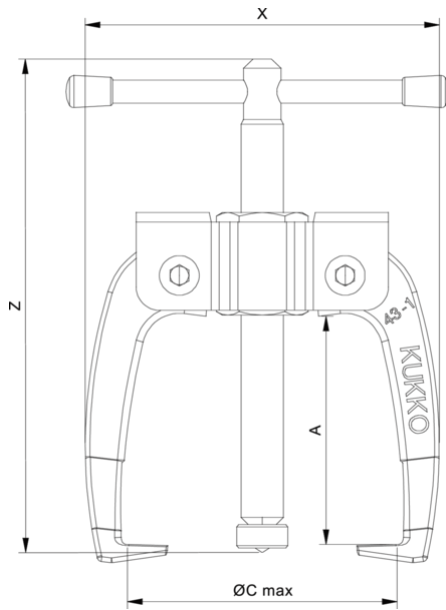
## MASTER DATA

GTIN [EAN]	4021176023330
Country of origin	DE
Case material	Tool steel
Series	43-0
Net weight [kg]	0,25 kg
Package contents	1 piece
Packaging Act	PAP 20
Global sales capability given	Yes (REACH, RoHS, POP, PROP65, TSCA)

## SPARE PARTS

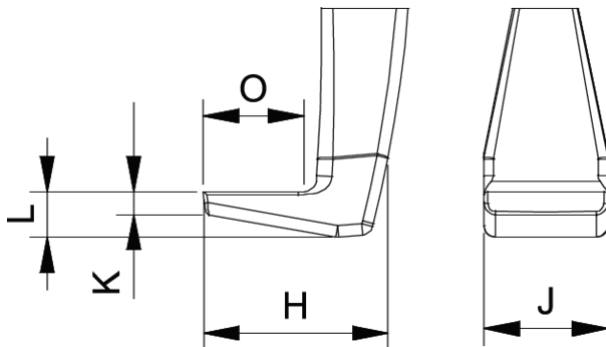
- 43-0-1-50-P\_2 jaws (pair)
- 43-001-206\_spindle
- 43-1-T\_Crossbar

# 2-jaw small parts puller with self-centering, narrow jaws, up to 60 mm spread, 50 mm reach



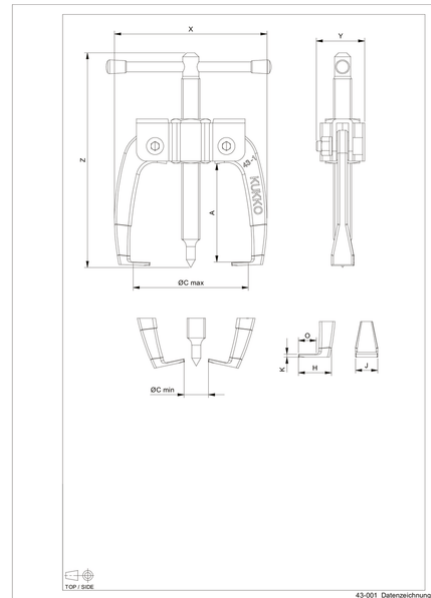
Abbreviation	Attribut	Wert
X	Total width [mm]	78 mm
Y	Total depth [mm]	22 mm
Z	Total height [mm]	107 mm
A	Clamping depth outside pull-off [mm]	50 mm
Cmin	Span outside pull-off (min.) [mm]	0 mm
Cmax	Span outside pull-off (max.) [mm]	60 mm
K	Hook root thickness at the tip (claw thickness K) [mm]	1,5 mm
J	Hook base width (claw width J) [mm]	11 mm
O	Hook base depth usable (claw depth usable O) [mm]	10 mm
H	Total hook root depth (total claw depth H) [mm]	19 mm
L	Total claw thickness (L+1mm) (claw distance to base surface) [mm]	1,5 mm
Fmax	Max. tractive force [t]	1 t
Fmax	Max. tensile force [kN]	10 kN

Abbreviation	Attribut	Wert
X	Total width [mm]	78 mm
Y	Total depth [mm]	22 mm
Z	Total height [mm]	107 mm
A	Clamping depth outside pull-off [mm]	50 mm
Cmin	Span outside pull-off (min.) [mm]	0 mm
Cmax	Span outside pull-off (max.) [mm]	60 mm
K	Hook root thickness at the tip (claw thickness K) [mm]	1,5 mm
J	Hook base width (claw width J) [mm]	11 mm
O	Hook base depth usable (claw depth usable O) [mm]	10 mm
H	Total hook root depth (total claw depth H) [mm]	19 mm
L	Total claw thickness (L+1mm) (claw distance to base surface) [mm]	1,5 mm
Fmax	Max. tractive force [t]	1 t
Fmax	Max. tensile force [kN]	10 kN



Abbreviation	Attribut	Wert
X	Total width [mm]	78 mm
Y	Total depth [mm]	22 mm
Z	Total height [mm]	107 mm
A	Clamping depth outside pull-off [mm]	50 mm
Cmin	Span outside pull-off (min.) [mm]	0 mm

Cmax	Span outside pull-off (max.) [mm]	60 mm
K	Hook root thickness at the tip (claw thickness K) [mm]	1,5 mm
J	Hook base width (claw width J) [mm]	11 mm
O	Hook base depth usable (claw depth usable O) [mm]	10 mm
H	Total hook root depth (total claw depth H) [mm]	19 mm
L	Total claw thickness (L+1mm) (claw distance to base surface) [mm]	1,5 mm
Fmax	Max. tractive force [t]	1 t
Fmax	Max. tensile force [kN]	10 kN



Abbreviation	Attribut	Wert
X	Total width [mm]	78 mm
Y	Total depth [mm]	22 mm
Z	Total height [mm]	107 mm
A	Clamping depth outside pull-off [mm]	50 mm
Cmin	Span outside pull-off (min.) [mm]	0 mm
Cmax	Span outside pull-off (max.) [mm]	60 mm
K	Hook root thickness at the tip (claw thickness K) [mm]	1,5 mm
J	Hook base width (claw width J) [mm]	11 mm
O	Hook base depth usable (claw depth usable O) [mm]	10 mm
H	Total hook root depth (total claw depth H) [mm]	19 mm
L	Total claw thickness (L+1mm) (claw distance to base surface) [mm]	1,5 mm
Fmax	Max. tractive force [t]	1 t
Fmax	Max. tensile force [kN]	10 kN