

14-03 2-jaw puller with narrow, self-centering, intersecting jaws, up to 140 mm spread, 160 mm reach



DESCRIPTION

The 2-jaw puller with narrow, self-gripping, intersecting jaws is used for extracting sprockets, pulleys, bearings, and similar components in tight spaces. Self-locking retaining pins ensure quick and easy adjustment for variable span ranges. The puller is self-gripping and easy to handle. During the extraction process, the scissor-like arm guidance presses the claws firmly against the part being pulled. This ensures a secure grip at all times.

APPLICATION AREA

For pulling off pinions, pulleys, bearings and similar components for narrow gaps

BENEFIT

- Fast and easy assembly of the jaws
- Extremely high spread range due to variable mounting of the jaws
- Span width and span depth can be individually adjusted.
- In confined spaces, the two jaws can be mounted first and then fixed in the second step with a crossbar and retaining pins.
- Self-locking stop pins that do not fall out while working thanks to ball retention.
- Puller jaws can be flipped, thereby increasing their spread range many times over.

OPERATION

- Position the puller jaws externally on the part to be removed
- Activate the hexagon at the spindle head with a ratchet or a ring spanner until the component is released

MASTER DATA

GTIN [EAN]	4021176460111
Country of origin	DE
Case material	Tool steel
Series	14-S
Net weight [kg]	1,12 kg
Package contents	1 piece
Packaging Act	PAP 21
Global sales capability given	Yes (REACH, RoHS, POP, PROP65, TSCA)

SPARE PARTS

- 080804_Dowel pin pair
- 14-03-160-P_2 puller jaws (pair)
- 14-2-T_Crossbar
- 614200_Mechanical spindle

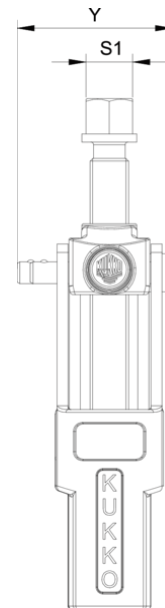
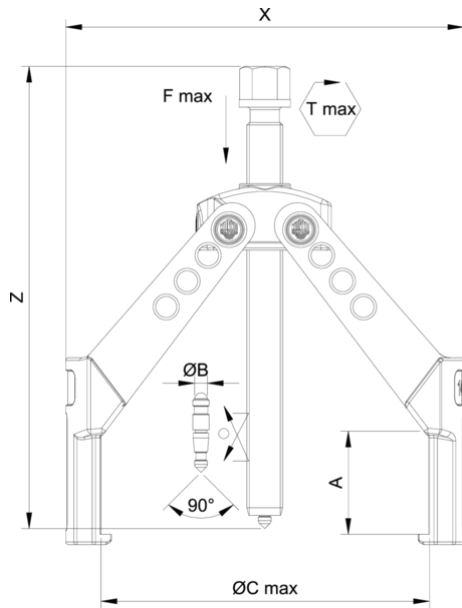
APPLICATION IMAGE



DETAIL IMAGE

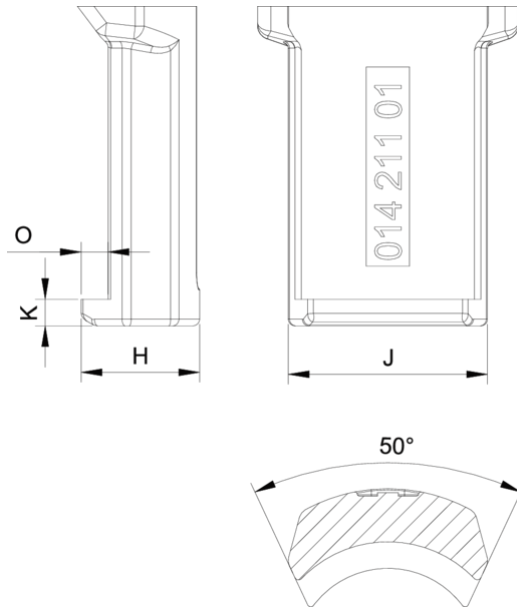


2-jaw puller with narrow, self-centering, intersecting jaws, up to 140 mm spread, 160 mm reach



Abbreviation	Attribut	Wert
X	Total width [mm]	156 mm
Y	Total depth [mm]	51 mm
Z	Total height [mm]	230 mm
A	Clamping depth outside pull-off [mm]	160 mm
S1	Width across flats [mm]	17 mm
Cmin	Span outside pull-off (min.) [mm]	0 mm
Cmax	Span outside pull-off (max.) [mm]	140 mm
K	Hook root thickness at the tip (claw thickness K) [mm]	4 mm
J	Hook base width (claw width J) [mm]	12 mm
O	Hook base depth usable (claw depth usable O) [mm]	5 mm
H	Total hook root depth (total claw depth H) [mm]	13 mm
L	Total claw thickness (L+1mm) (claw distance to base surface) [mm]	4 mm
Tmax	Max. torque [Nm]	40 Nm
Fmax	Max. tractive force [t]	2 t
Fmax	Max. tensile force [kN]	20 kN

Abbreviation	Attribut	Wert
X	Total width [mm]	156 mm
Y	Total depth [mm]	51 mm
Z	Total height [mm]	230 mm
A	Clamping depth outside pull-off [mm]	160 mm
S1	Width across flats [mm]	17 mm
Cmin	Span outside pull-off (min.) [mm]	0 mm
Cmax	Span outside pull-off (max.) [mm]	140 mm
K	Hook root thickness at the tip (claw thickness K) [mm]	4 mm
J	Hook base width (claw width J) [mm]	12 mm
O	Hook base depth usable (claw depth usable O) [mm]	5 mm
H	Total hook root depth (total claw depth H) [mm]	13 mm
L	Total claw thickness (L+1mm) (claw distance to base surface) [mm]	4 mm
Tmax	Max. torque [Nm]	40 Nm
Fmax	Max. tractive force [t]	2 t
Fmax	Max. tensile force [kN]	20 kN



Abbreviation	Attribut	Wert
X	Total width [mm]	156 mm
Y	Total depth [mm]	51 mm
Z	Total height [mm]	230 mm
A	Clamping depth outside pull-off [mm]	160 mm
S1	Width across flats [mm]	17 mm
Cmin	Span outside pull-off (min.) [mm]	0 mm
Cmax	Span outside pull-off (max.) [mm]	140 mm
K	Hook root thickness at the tip (claw thickness K) [mm]	4 mm
J	Hook base width (claw width J) [mm]	12 mm
O	Hook base depth usable (claw depth usable O) [mm]	5 mm
H	Total hook root depth (total claw depth H) [mm]	13 mm
L	Total claw thickness (L+1mm) (claw distance to base surface) [mm]	4 mm
Tmax	Max. torque [Nm]	40 Nm
Fmax	Max. tractive force [t]	2 t
Fmax	Max. tensile force [kN]	20 kN