

# 207-02 3-jaw tab puller with oscillating, height-adjustable jaws, combination crossbar, up to 300 mm spread, 220 mm reach



## DESCRIPTION

The heavy 2-jaw or 3-jaw puller with oscillating, height-adjustable pulling jaws and combination crossbar is used for concentric extraction of large bearings, gears, and discs in all common sizes for crafts, workshops, and industry. It can loosen any component that sits on a shaft and is freely accessible from the outside. The oscillating pulling jaws adapt to any installation situation and are universally applicable due to the adjustable reach. Thanks to the combination crossbar, the puller can be used in both 2-jaw and 3-jaw configurations. Depending on the design, the claw shape differs. The 3-jaw feature ensures even load distribution and thus a particularly secure grip on the part being extracted.

## APPLICATION AREA

For centric extraction of large bearings, gears and pulleys

## BENEFIT

- Adjustable Puller Jaws for Individual Adjustment of Reach Depth
- Oscillating puller jaws offer a variety of adjustment options
- Pulling jaws with different claw shapes for flexible working.
- Thanks to the crossbar, the puller can be used for 2-jaw and 3-jaw pulling.
- The claw end with slot provides support for screw for additional support during pulling out.
- Secure mounting of the spindle through the rotatable spindle tip on both smooth surfaces and in centering (Switch Technology)
- 3-jaw ensures an even distribution of force and allows for greater pulling forces
- Anti-slip safety (spindle neck) at spindle head for safe working with wrench
- Spindle outlet to protect the thread

## OPERATION

- Place the puller jaws from the outside onto the part to be removed
- Pivot the claws under the component
- Manually pull the spindle to secure it
- Use a ratchet or a ring spanner to turn the hexagon on the spindle head until the component is loosened

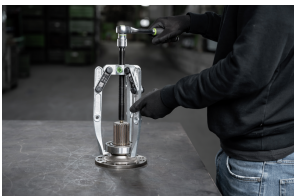
## MASTER DATA

|                               |                                      |
|-------------------------------|--------------------------------------|
| GTIN [EAN]                    | 4021176029981                        |
| Country of origin             | DE                                   |
| Case material                 | Tool steel                           |
| Series                        | 207                                  |
| Net weight [kg]               | 3,46 kg                              |
| Package contents              | 1 piece                              |
| Packaging Act                 | PAP 21                               |
| Global sales capability given | Yes (REACH, RoHS, POP, PROP65, TSCA) |

## SPARE PARTS

- 203-2-T\_Crossbar
- 206-02-220-S\_3 puller jaws (set)
- 620260\_Two-sided spindle tip
- 621220\_Mechanical pressure spindle

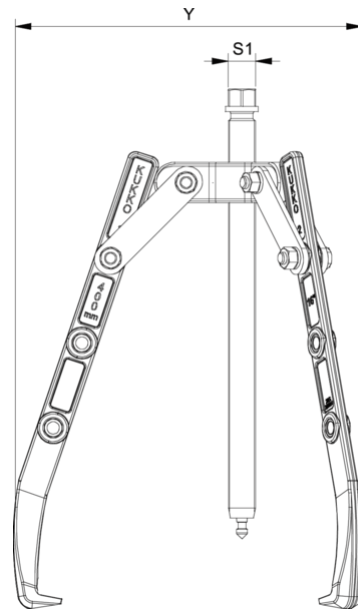
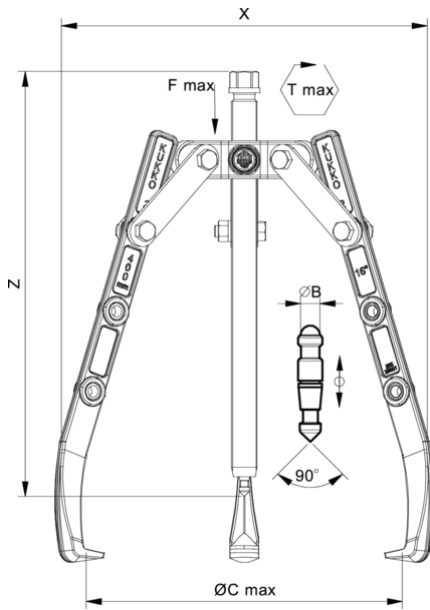
## APPLICATION IMAGE



## DETAIL IMAGE

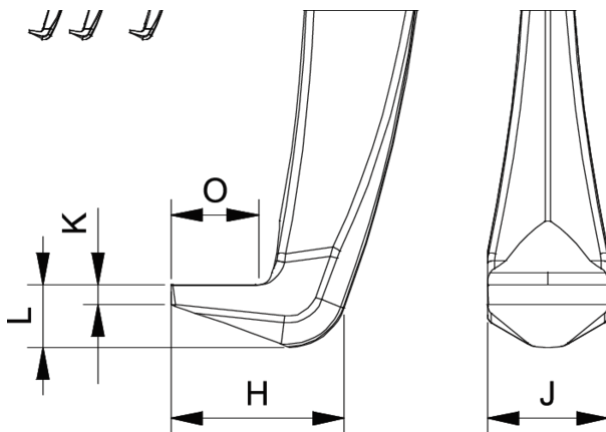


# 3-jaw tab puller with oscillating, height-adjustable jaws, combination crossbar, up to 300 mm spread, 220 mm reach



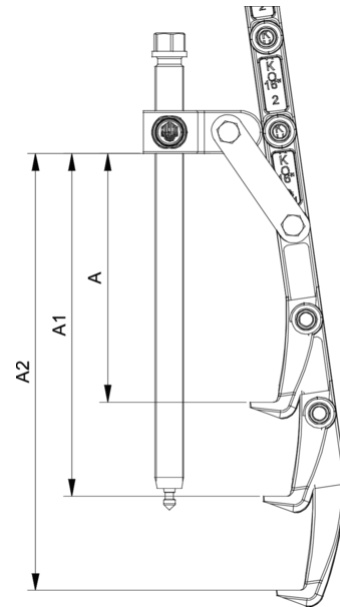
| Abbreviation | Attribut  | Wert   |
|--------------|---|--------|
| X            | Total width [mm]  | 370 mm |
| Y            | Total depth [mm]  | 370 mm |
| Z            | Total height [mm]   | 245 mm |
| A            | Clamping depth outside pull-off [mm]                              | 220 mm |
| S1           | Width across flats [mm]   | 22 mm  |
| Cmin         | Span outside pull-off (min.) [mm]                                 | 0 mm   |
| Cmax         | Span outside pull-off (max.) [mm]                                 | 300 mm |
| K            | Hook root thickness at the tip (claw thickness K) [mm]            | 5 mm   |
| J            | Hook base width (claw width J) [mm]                               | 30 mm  |
| O            | Hook base depth usable (claw depth usable O) [mm]                 | 23 mm  |
| H            | Total hook root depth (total claw depth H) [mm]                   | 50 mm  |
| L            | Total claw thickness (L+1mm) (claw distance to base surface) [mm] | 18 mm  |
| Tmax         | Max. torque [Nm]  | 150 Nm |
| Fmax         | Max. tractive force [t]   | 7 t    |
| Fmax         | Max. tensile force [kN]   | 70 kN  |

| Abbreviation | Attribut  | Wert   |
|--------------|---|--------|
| X            | Total width [mm]  | 370 mm |
| Y            | Total depth [mm]  | 370 mm |
| Z            | Total height [mm]   | 245 mm |
| A            | Clamping depth outside pull-off [mm]                              | 220 mm |
| S1           | Width across flats [mm]   | 22 mm  |
| Cmin         | Span outside pull-off (min.) [mm]                                 | 0 mm   |
| Cmax         | Span outside pull-off (max.) [mm]                                 | 300 mm |
| K            | Hook root thickness at the tip (claw thickness K) [mm]            | 5 mm   |
| J            | Hook base width (claw width J) [mm]                               | 30 mm  |
| O            | Hook base depth usable (claw depth usable O) [mm]                 | 23 mm  |
| H            | Total hook root depth (total claw depth H) [mm]                   | 50 mm  |
| L            | Total claw thickness (L+1mm) (claw distance to base surface) [mm] | 18 mm  |
| Tmax         | Max. torque [Nm]  | 150 Nm |
| Fmax         | Max. tractive force [t]   | 7 t    |
| Fmax         | Max. tensile force [kN]   | 70 kN  |

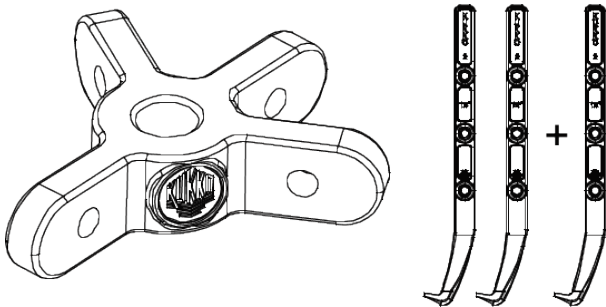


| Abbreviation | Attribut | Wert |
|--------------|----------|------|
|--------------|----------|------|

|      |   |        |
|------|---|--------|
| X    | Total width [mm]  | 370 mm |
| Y    | Total depth [mm]  | 370 mm |
| Z    | Total height [mm]   | 245 mm |
| A    | Clamping depth outside pull-off [mm]                              | 220 mm |
| S1   | Width across flats [mm]   | 22 mm  |
| Cmin | Span outside pull-off (min.) [mm]                                 | 0 mm   |
| Cmax | Span outside pull-off (max.) [mm]                                 | 300 mm |
| K    | Hook root thickness at the tip (claw thickness K) [mm]            | 5 mm   |
| J    | Hook base width (claw width J) [mm]                               | 30 mm  |
| O    | Hook base depth usable (claw depth usable O) [mm]                 | 23 mm  |
| H    | Total hook root depth (total claw depth H) [mm]                   | 50 mm  |
| L    | Total claw thickness (L+1mm) (claw distance to base surface) [mm] | 18 mm  |
| Tmax | Max. torque [Nm]  | 150 Nm |
| Fmax | Max. tractive force [t]   | 7 t    |
| Fmax | Max. tensile force [kN]   | 70 kN  |



| Abbreviation | Attribut  | Wert   |
|--------------|---|--------|
| X            | Total width [mm]  | 370 mm |
| Y            | Total depth [mm]  | 370 mm |
| Z            | Total height [mm]   | 245 mm |
| A            | Clamping depth outside pull-off [mm]                              | 220 mm |
| S1           | Width across flats [mm]   | 22 mm  |
| Cmin         | Span outside pull-off (min.) [mm]                                 | 0 mm   |
| Cmax         | Span outside pull-off (max.) [mm]                                 | 300 mm |
| K            | Hook root thickness at the tip (claw thickness K) [mm]            | 5 mm   |
| J            | Hook base width (claw width J) [mm]                               | 30 mm  |
| O            | Hook base depth usable (claw depth usable O) [mm]                 | 23 mm  |
| H            | Total hook root depth (total claw depth H) [mm]                   | 50 mm  |
| L            | Total claw thickness (L+1mm) (claw distance to base surface) [mm] | 18 mm  |
| Tmax         | Max. torque [Nm]  | 150 Nm |
| Fmax         | Max. tractive force [t]   | 7 t    |
| Fmax         | Max. tensile force [kN]   | 70 kN  |



| Abbreviation | Attribut  | Wert   |
|--------------|---|--------|
| X            | Total width [mm]  | 370 mm |
| Y            | Total depth [mm]  | 370 mm |
| Z            | Total height [mm]   | 245 mm |
| A            | Clamping depth outside pull-off [mm]                              | 220 mm |
| S1           | Width across flats [mm]   | 22 mm  |
| Cmin         | Span outside pull-off (min.) [mm]                                 | 0 mm   |
| Cmax         | Span outside pull-off (max.) [mm]                                 | 300 mm |
| K            | Hook root thickness at the tip (claw thickness K) [mm]            | 5 mm   |
| J            | Hook base width (claw width J) [mm]                               | 30 mm  |
| O            | Hook base depth usable (claw depth usable O) [mm]                 | 23 mm  |
| H            | Total hook root depth (total claw depth H) [mm]                   | 50 mm  |
| L            | Total claw thickness (L+1mm) (claw distance to base surface) [mm] | 18 mm  |
| Tmax         | Max. torque [Nm]  | 150 Nm |
| Fmax         | Max. tractive force [t]   | 7 t    |
| Fmax         | Max. tensile force [kN]   | 70 kN  |