

205-3 2-jaw puller with oscillating, height-adjustable jaws, up to 500 mm spread, 540 mm reach



APPLICATION IMAGE



DESCRIPTION

The heavy, 2-jaw puller with oscillating and height-adjustable jaws is used for the central extraction of large bearings, gears, and discs in all common sizes for crafts, workshops, and industry. This allows for loosening any component that is mounted on a shaft and accessible from the outside. The oscillating jaws adapt to any installation situation and can be universally used due to the adjustable reach. Depending on the version, the claw shape varies.

APPLICATION AREA

For centric extraction of large bearings, gears and pulleys

BENEFIT

- Adjustable puller jaws for individual adaptation of the reach.
- Oscillating puller jaws offer a variety of adjustment options
- Pulling jaws with different claw shapes for flexible working.
- Claw end with slot provides support for screw for additional support when pulling off
- Safe installation of the spindle using a rotatable spindle tip on both smooth surfaces and during centering (Switch Technology)
- Anti-slip safety (spindle neck) at the spindle head for safe work with wrench.
- Spindle extension for the protection of the thread

OPERATION

- Position the jaws externally against the part to be pulled off
- Swivel the claws under the component
- Manually pull the spindle for fixation
- Use a ratchet or a ring spanner to move the hexagon on the spindle head until the component is loosened

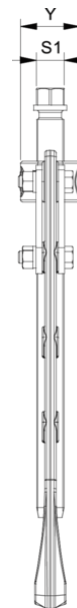
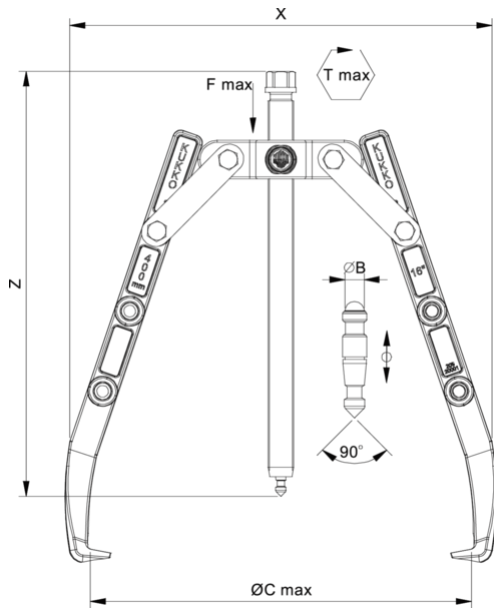
MASTER DATA

GTIN [EAN]	4021176029073
Country of origin	DE
Case material	Tool steel
Series	205
Net weight [kg]	8,545 kg
Package contents	1 piece
Packaging Act	PAP 21
Global sales capability given	Yes (REACH, RoHS, POP, PROP65, TSCA)

SPARE PARTS

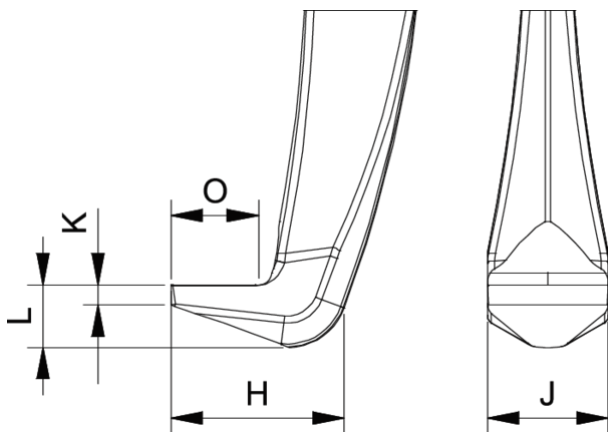
- 201-3-T_Crossbar
- 205-3-540-P_2 puller jaws with adjustable reach (pair)
- 626400_Hydraulic spindle

2-jaw puller with oscillating, height-adjustable jaws, up to 500 mm spread, 540 mm reach



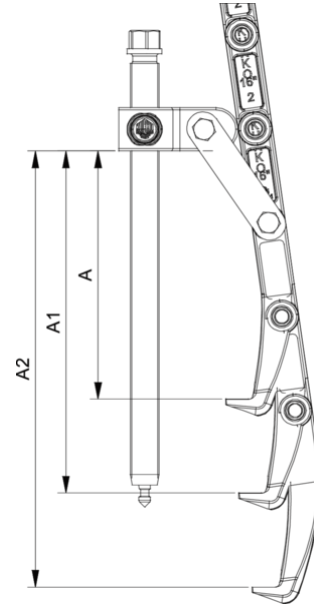
Abbreviation	Attribut	Wert
X	Total width [mm]	572 mm
Y	Total depth [mm]	58 mm
Z	Total height [mm]	430 mm
A	Clamping depth outside pull-off [mm]	540 mm
S1	Width across flats [mm]	27 mm
Cmin	Span outside pull-off (min.) [mm]	0 mm
Cmax	Span outside pull-off (max.) [mm]	500 mm
K	Hook root thickness at the tip (claw thickness K) [mm]	4,5 mm
J	Hook base width (claw width J) [mm]	30 mm
O	Hook base depth usable (claw depth usable O) [mm]	22 mm
H	Total hook root depth (total claw depth H) [mm]	58 mm
L	Total claw thickness (L+1mm) (claw distance to base surface) [mm]	19 mm
Tmax	Max. torque [Nm]	320 Nm
Fmax	Max. tractive force [t]	12 t
Fmax	Max. tensile force [kN]	120 kN

Abbreviation	Attribut	Wert
X	Total width [mm]	572 mm
Y	Total depth [mm]	58 mm
Z	Total height [mm]	430 mm
A	Clamping depth outside pull-off [mm]	540 mm
S1	Width across flats [mm]	27 mm
Cmin	Span outside pull-off (min.) [mm]	0 mm
Cmax	Span outside pull-off (max.) [mm]	500 mm
K	Hook root thickness at the tip (claw thickness K) [mm]	4,5 mm
J	Hook base width (claw width J) [mm]	30 mm
O	Hook base depth usable (claw depth usable O) [mm]	22 mm
H	Total hook root depth (total claw depth H) [mm]	58 mm
L	Total claw thickness (L+1mm) (claw distance to base surface) [mm]	19 mm
Tmax	Max. torque [Nm]	320 Nm
Fmax	Max. tractive force [t]	12 t
Fmax	Max. tensile force [kN]	120 kN



Abbreviation	Attribut	Wert
--------------	----------	------

X	Total width [mm]	572 mm
Y	Total depth [mm]	58 mm
Z	Total height [mm]	430 mm
A	Clamping depth outside pull-off [mm]	540 mm
S1	Width across flats [mm]	27 mm
Cmin	Span outside pull-off (min.) [mm]	0 mm
Cmax	Span outside pull-off (max.) [mm]	500 mm
K	Hook root thickness at the tip (claw thickness K) [mm]	4,5 mm
J	Hook base width (claw width J) [mm]	30 mm
O	Hook base depth usable (claw depth usable O) [mm]	22 mm
H	Total hook root depth (total claw depth H) [mm]	58 mm
L	Total claw thickness (L+1mm) (claw distance to base surface) [mm]	19 mm
Tmax	Max. torque [Nm]	320 Nm
Fmax	Max. tractive force [t]	12 t
Fmax	Max. tensile force [kN]	120 kN



Abbreviation	Attribut	Wert
X	Total width [mm]	572 mm
Y	Total depth [mm]	58 mm
Z	Total height [mm]	430 mm
A	Clamping depth outside pull-off [mm]	540 mm
S1	Width across flats [mm]	27 mm
Cmin	Span outside pull-off (min.) [mm]	0 mm
Cmax	Span outside pull-off (max.) [mm]	500 mm
K	Hook root thickness at the tip (claw thickness K) [mm]	4,5 mm
J	Hook base width (claw width J) [mm]	30 mm
O	Hook base depth usable (claw depth usable O) [mm]	22 mm
H	Total hook root depth (total claw depth H) [mm]	58 mm
L	Total claw thickness (L+1mm) (claw distance to base surface) [mm]	19 mm
Tmax	Max. torque [Nm]	320 Nm
Fmax	Max. tractive force [t]	12 t
Fmax	Max. tensile force [kN]	120 kN