

# 46-2-A 2-jaw universal puller with swiveling jaws, combo crossbar, up to 500 mm spread. 450 mm reach



DETAIL IMAGE



## DESCRIPTION

The heavy, 2-jaw universal puller with swiveling jaws and combination crossbar is used to extract large bearings, gears, and discs in all common sizes for crafts, workshops, and industry. It allows for the loosening of any component that sits on a shaft and is accessible from the outside. The swiveling jaws also ensure maximum freedom of movement for individual adjustment to the respective spread and depth, even in constrained environmental conditions. Thanks to the combination crossbar, the puller can be used as both a 2-jaw and a 3-jaw puller.

## APPLICATION AREA

For extracting large bearings, gears and pulleys

## BENEFIT

- Swiveling jaws allow for operation in the tightest spaces while simultaneously providing individual adjustment to the spread and depth.
- The crossbar can be used in both 2-jaw and 3-jaw versions.
- Anti-slip safety (spindle neck) at spindle head for safe working with wrench.
- Spindle outlet to protect the thread

## OPERATION

- Swing the jaws from the outside to the part to be extracted
- Slide the jaws under the component
- Pull the spindle manually to fix it by applying pressure
- Move the hexagon drive (male) on the spindle head with a ratchet or a ring wrench until the part is released

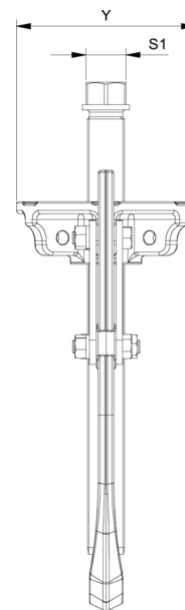
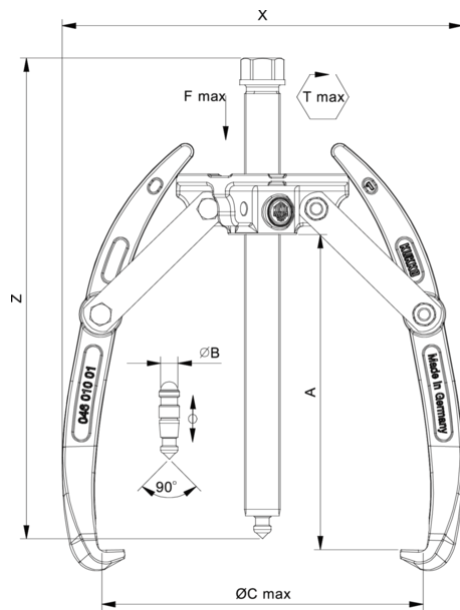
## MASTER DATA

GTIN [EAN]	4021176017193
Country of origin	DE
Case material	Tool steel
Series	46
Net weight [kg]	12,235 kg
Package contents	1 piece
Packaging Act	PAP 21
Global sales capability given	Yes (REACH, RoHS, POP, PROP65, TSCA)

## SPARE PARTS

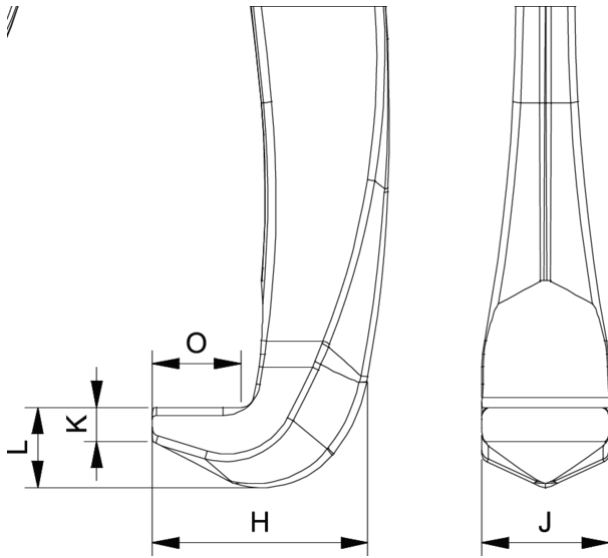
- 46-450\_Jaws for series 46/47
- 46-47-T\_Crossbar for puller 46/47
- 633370\_Double-sided spindle tip
- 633500\_Mechanical pressure spindle

## 2-jaw universal puller with swiveling jaws, combo crossbar, up to 500 mm spread, 450 mm reach



Abbreviation	Attribut	Wert
X	Total width [mm]	546 mm
Y	Total depth [mm]	160 mm
Z	Total height [mm]	535 mm
A	Clamping depth outside pull-off [mm]	450 mm
S1	Width across flats [mm]	36 mm
Cmin	Span outside pull-off (min.) [mm]	0 mm
Cmax	Span outside pull-off (max.) [mm]	500 mm
K	Hook root thickness at the tip (claw thickness K) [mm]	6 mm
J	Hook base width (claw width J) [mm]	30 mm
O	Hook base depth usable (claw depth usable O) [mm]	27 mm
H	Total hook root depth (total claw depth H) [mm]	50 mm
L	Total claw thickness (L+1mm) (claw distance to base surface) [mm]	22 mm
Tmax	Max. torque [Nm]	450 Nm
Fmax	Max. tractive force [t]	12 t
Fmax	Max. tensile force [kN]	120 kN

Abbreviation	Attribut	Wert
X	Total width [mm]	546 mm
Y	Total depth [mm]	160 mm
Z	Total height [mm]	535 mm
A	Clamping depth outside pull-off [mm]	450 mm
S1	Width across flats [mm]	36 mm
Cmin	Span outside pull-off (min.) [mm]	0 mm
Cmax	Span outside pull-off (max.) [mm]	500 mm
K	Hook root thickness at the tip (claw thickness K) [mm]	6 mm
J	Hook base width (claw width J) [mm]	30 mm
O	Hook base depth usable (claw depth usable O) [mm]	27 mm
H	Total hook root depth (total claw depth H) [mm]	50 mm
L	Total claw thickness (L+1mm) (claw distance to base surface) [mm]	22 mm
Tmax	Max. torque [Nm]	450 Nm
Fmax	Max. tractive force [t]	12 t
Fmax	Max. tensile force [kN]	120 kN



Abbreviation	Attribut	Wert
X	Total width [mm]	546 mm
Y	Total depth [mm]	160 mm
Z	Total height [mm]	535 mm
A	Clamping depth outside pull-off [mm]	450 mm
S1	Width across flats [mm]	36 mm
Cmin	Span outside pull-off (min.) [mm]	0 mm
Cmax	Span outside pull-off (max.) [mm]	500 mm
K	Hook root thickness at the tip (claw thickness K) [mm]	6 mm
J	Hook base width (claw width J) [mm]	30 mm
O	Hook base depth usable (claw depth usable O) [mm]	27 mm
H	Total hook root depth (total claw depth H) [mm]	50 mm
L	Total claw thickness (L+1mm) (claw distance to base surface) [mm]	22 mm
Tmax	Max. torque [Nm]	450 Nm
Fmax	Max. tractive force [t]	12 t
Fmax	Max. tensile force [kN]	120 kN