

46-1-A 2-jaw universal puller with swiveling jaws, combination crossbar, up to 300 mm spread, 300 mm reach



DETAIL IMAGE



DESCRIPTION

The heavy, 2-jaw universal puller with swiveling jaws and combination crossbar is used to extract large bearings, gears, and discs in all common sizes for crafts, workshops, and industry. It allows for the loosening of any component that sits on a shaft and is accessible from the outside. The swiveling jaws also ensure maximum freedom of movement for individual adjustment to the respective spread and depth, even in constrained environmental conditions. Thanks to the combination crossbar, the puller can be used as both a 2-jaw and a 3-jaw puller.

APPLICATION AREA

For extracting large bearings, gears and pulleys

BENEFIT

- Swiveling jaws allow for operation in the tightest spaces while simultaneously providing individual adjustment to the spread and depth.
- The crossbar can be used in both 2-jaw and 3-jaw versions.
- Anti-slip safety (spindle neck) at spindle head for safe working with wrench.
- Spindle outlet to protect the thread

OPERATION

- Swing the jaws from the outside to the part to be extracted
- Slide the jaws under the component
- Pull the spindle manually to fix it by applying pressure
- Move the hexagon drive (male) on the spindle head with a ratchet or a ring wrench until the part is released

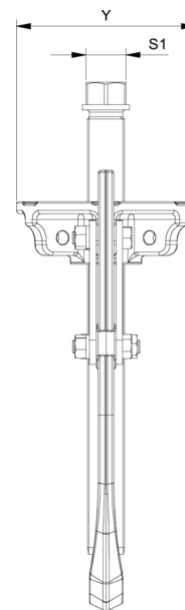
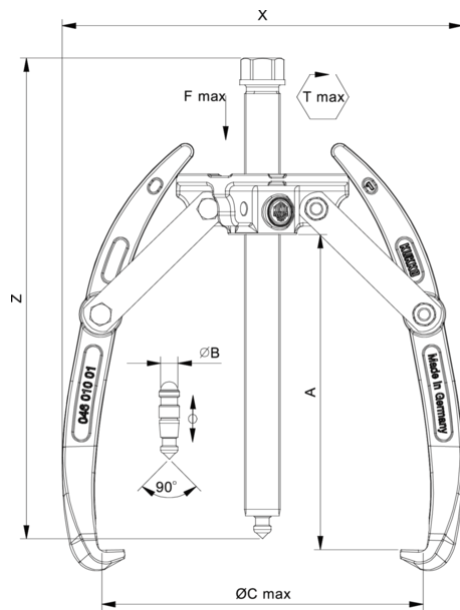
MASTER DATA

GTIN [EAN]	4021176016936
Country of origin	DE
Case material	Tool steel
Series	46
Net weight [kg]	1,125 kg
Package contents	1 piece
Packaging Act	PAP 21
Global sales capability given	Yes (REACH, RoHS, POP, PROP65, TSCA)

SPARE PARTS

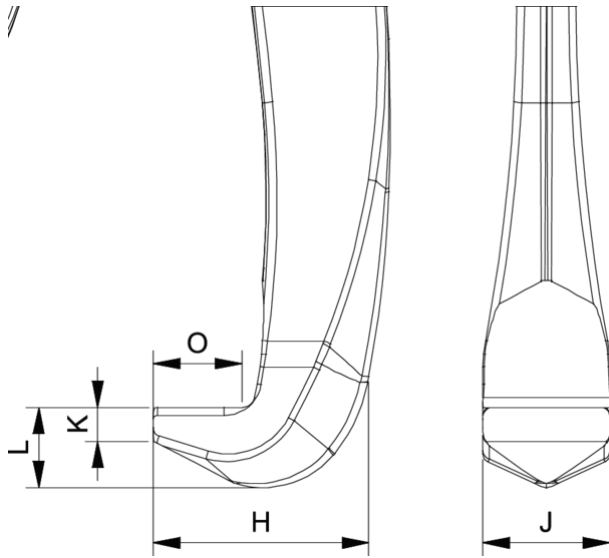
- 46-300_Puller jaws for series 46/47
- 46-47-T_Crossbar for puller 46/47
- 633370_Double-sided spindle tip
- 633400_Mechanical pressure spindle

2-jaw universal puller with swiveling jaws, combination crossbar, up to 300 mm spread, 300 mm reach

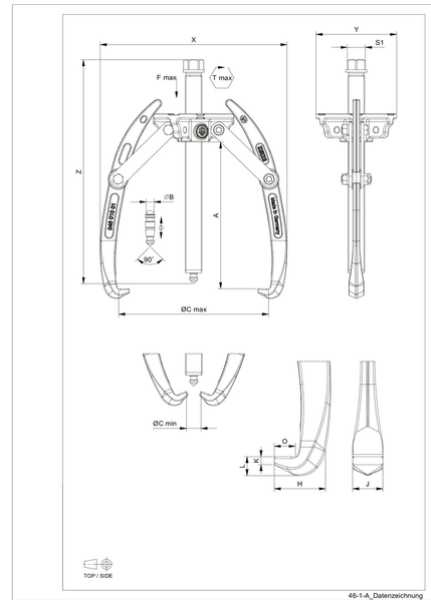


Abbreviation	Attribut	Wert
X	Total width [mm]	350 mm
Y	Total depth [mm]	160 mm
Z	Total height [mm]	435 mm
A	Clamping depth outside pull-off [mm]	300 mm
S1	Width across flats [mm]	36 mm
Cmin	Span outside pull-off (min.) [mm]	0 mm
Cmax	Span outside pull-off (max.) [mm]	300 mm
K	Hook root thickness at the tip (claw thickness K) [mm]	6 mm
J	Hook base width (claw width J) [mm]	30 mm
O	Hook base depth usable (claw depth usable O) [mm]	25 mm
H	Total hook root depth (total claw depth H) [mm]	50 mm
L	Total claw thickness (L+1mm) (claw distance to base surface) [mm]	22 mm
Tmax	Max. torque [Nm]	450 Nm
Fmax	Max. tractive force [t]	12 t
Fmax	Max. tensile force [kN]	120 kN

Abbreviation	Attribut	Wert
X	Total width [mm]	350 mm
Y	Total depth [mm]	160 mm
Z	Total height [mm]	435 mm
A	Clamping depth outside pull-off [mm]	300 mm
S1	Width across flats [mm]	36 mm
Cmin	Span outside pull-off (min.) [mm]	0 mm
Cmax	Span outside pull-off (max.) [mm]	300 mm
K	Hook root thickness at the tip (claw thickness K) [mm]	6 mm
J	Hook base width (claw width J) [mm]	30 mm
O	Hook base depth usable (claw depth usable O) [mm]	25 mm
H	Total hook root depth (total claw depth H) [mm]	50 mm
L	Total claw thickness (L+1mm) (claw distance to base surface) [mm]	22 mm
Tmax	Max. torque [Nm]	450 Nm
Fmax	Max. tractive force [t]	12 t
Fmax	Max. tensile force [kN]	120 kN



Abbreviation	Attribut	Wert
X	Total width [mm]	350 mm
Y	Total depth [mm]	160 mm
Z	Total height [mm]	435 mm
A	Clamping depth outside pull-off [mm]	300 mm
S1	Width across flats [mm]	36 mm
Cmin	Span outside pull-off (min.) [mm]	0 mm
Cmax	Span outside pull-off (max.) [mm]	300 mm
K	Hook root thickness at the tip (claw thickness K) [mm]	6 mm
J	Hook base width (claw width J) [mm]	30 mm
O	Hook base depth usable (claw depth usable O) [mm]	25 mm
H	Total hook root depth (total claw depth H) [mm]	50 mm
L	Total claw thickness (L+1mm) (claw distance to base surface) [mm]	22 mm
Tmax	Max. torque [Nm]	450 Nm
Fmax	Max. tractive force [t]	12 t
Fmax	Max. tensile force [kN]	120 kN



Abbreviation	Attribut	Wert
X	Total width [mm]	350 mm
Y	Total depth [mm]	160 mm
Z	Total height [mm]	435 mm
A	Clamping depth outside pull-off [mm]	300 mm
S1	Width across flats [mm]	36 mm
Cmin	Span outside pull-off (min.) [mm]	0 mm
Cmax	Span outside pull-off (max.) [mm]	300 mm
K	Hook root thickness at the tip (claw thickness K) [mm]	6 mm
J	Hook base width (claw width J) [mm]	30 mm
O	Hook base depth usable (claw depth usable O) [mm]	25 mm
H	Total hook root depth (total claw depth H) [mm]	50 mm
L	Total claw thickness (L+1mm) (claw distance to base surface) [mm]	22 mm
Tmax	Max. torque [Nm]	450 Nm
Fmax	Max. tractive force [t]	12 t
Fmax	Max. tensile force [kN]	120 kN