

11-1-BV 3-jaw universal puller with adjustable reach, grease hydraulic spindle, up to 520 mm spread, 450 mm reach



DESCRIPTION

The extra-strength, 3-jaw universal pullers with adjustable reach depth and hydraulic spindle are used for pulling off heavy, particularly stuck bearings, gears, and discs in all common sizes for crafts, workshops, and industry. The hydraulic spindle achieves an average pulling force of up to 20 tons. This allows for the release of any component that sits on a shaft and is accessible from the outside. The robust design of the puller adapts to any pulling situation through its individually adjustable span and reach depth and guarantees powerful, damage-free disassembly both in external extraction and internal extraction. The 3-jaw design ensures even load distribution and thus a particularly secure hold on the part being pulled.

APPLICATION AREA

For extracting heavy, particularly tight-fitting bearings, gears and pulleys

BENEFIT

- The screw connection allows easy loosening and particularly tight fastening of the jaws with an allen key
- The hydraulic spindle guarantees easy and controlled removal of particularly tightly fitted parts with minimal effort.
- 3-jaw ensures an even force distribution and allows for greater pulling forces.
- Application also for eccentric components through freely movable, sliding puller jaws on the crossbar.
- Variable adjustment to any spread between 57 mm – 520 mm as well as reach depth between 450 mm – 450 mm
- Secure mounting of the spindle through the rotatable spindle tip on both smooth surfaces and in centering (Switch Technology)
- Optional convertible from an external puller to an internal extractor by reversing the extractor jaws.
- Anti-slip safety (spindle neck) at the spindle head for safe work with the wrench
- Spindle outlet to protect the thread

OPERATION

- Attach the pulling jaws from the outside to the part to be pulled off
- Slide the jaws under the component
- Use a wrench to secure the jaws
- Use the T-handle to operate the hydraulic spindle
- Reapply the hydraulic spindle until the component is loosened

MASTER DATA

GTIN [EAN]	4021176730498
Country of origin	DE
Case material	Tool steel
Series	11-BV
Net weight [kg]	33,15 kg
Package contents	1 piece
Packaging Act	PAP 21
Global sales capability given	Yes (REACH, RoHS, POP, PROP65, TSCA)

APPLICATION IMAGE



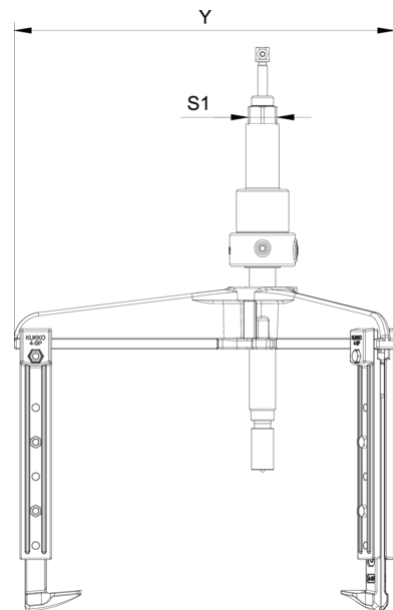
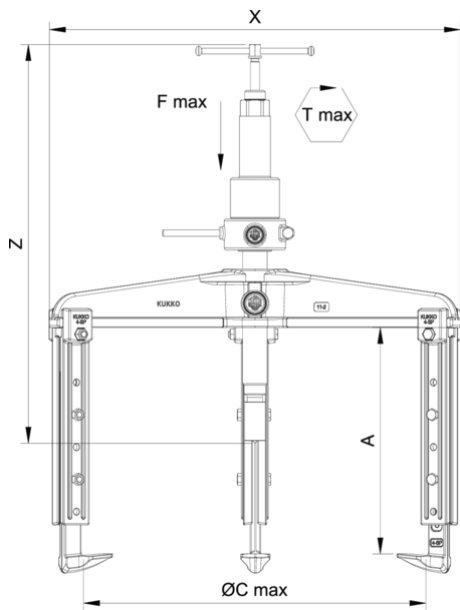
DETAIL IMAGE



SPARE PARTS

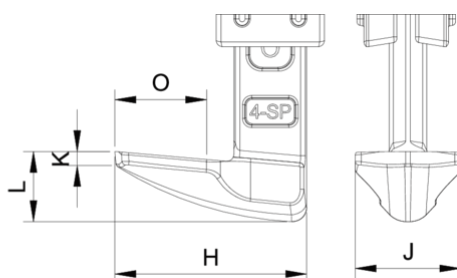
- 11-1-20_socket
- 11-520_3-jaw crossbar
- 4-SP-S_3 adjustable puller jaws
- 8-2-K_Hydraulic spindle

3-jaw universal puller with adjustable reach, grease hydraulic spindle, up to 520 mm spread, 450 mm reach



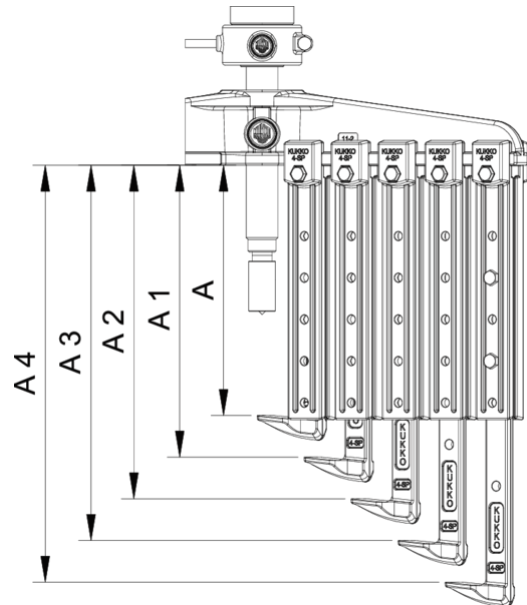
Abbreviation	Attribut	Wert
X	Total width [mm]	570 mm
Y	Total depth [mm]	570 mm
Z	Total height [mm]	610 mm
A	Clamping depth outside pull-off [mm]	450 mm
S1	Width across flats [mm]	17 mm
Cmin	Span outside pull-off (min.) [mm]	57 mm
Cmax	Span outside pull-off (max.) [mm]	520 mm
A1	Clamping depth of external pull-off A1 [mm]	350 mm
A2	Clamping depth outside pull-off A2 [mm]	400 mm
A3	Clamping depth external pull-off A3 [mm]	450 mm
K	Hook root thickness at the tip (claw thickness K) [mm]	9,5 mm
J	Hook base width (claw width J) [mm]	45 mm
O	Hook base depth usable (claw depth usable O) [mm]	66,5 mm
H	Total hook root depth (total claw depth H) [mm]	82 mm
L	Total claw thickness (L+1mm) (claw distance to base surface) [mm]	25 mm
Emin	Span inside pull-out (min.) [mm]	280 mm
Emax	Span inside pull-out (max.) [mm]	600 mm
Tmax	Max. torque [Nm]	30 Nm
Fmax	Max. tractive force [t]	20 t
Fmax	Max. tensile force [kN]	200 kN

Abbreviation	Attribut	Wert
X	Total width [mm]	570 mm
Y	Total depth [mm]	570 mm
Z	Total height [mm]	610 mm
A	Clamping depth outside pull-off [mm]	450 mm
S1	Width across flats [mm]	17 mm
Cmin	Span outside pull-off (min.) [mm]	57 mm
Cmax	Span outside pull-off (max.) [mm]	520 mm
A1	Clamping depth of external pull-off A1 [mm]	350 mm
A2	Clamping depth outside pull-off A2 [mm]	400 mm
A3	Clamping depth external pull-off A3 [mm]	450 mm
K	Hook root thickness at the tip (claw thickness K) [mm]	9,5 mm
J	Hook base width (claw width J) [mm]	45 mm
O	Hook base depth usable (claw depth usable O) [mm]	66,5 mm
H	Total hook root depth (total claw depth H) [mm]	82 mm
L	Total claw thickness (L+1mm) (claw distance to base surface) [mm]	25 mm
Emin	Span inside pull-out (min.) [mm]	280 mm
Emax	Span inside pull-out (max.) [mm]	600 mm
Tmax	Max. torque [Nm]	30 Nm
Fmax	Max. tractive force [t]	20 t
Fmax	Max. tensile force [kN]	200 kN

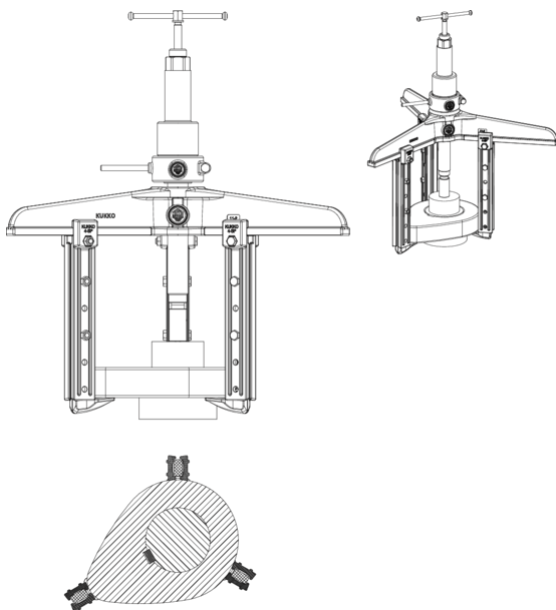


Abbreviation	Attribut	Wert
--------------	----------	------

X	Total width [mm]	570 mm
Y	Total depth [mm]	570 mm
Z	Total height [mm]	610 mm
A	Clamping depth outside pull-off [mm]	450 mm
S1	Width across flats [mm]	17 mm
Cmin	Span outside pull-off (min.) [mm]	57 mm
Cmax	Span outside pull-off (max.) [mm]	520 mm
A1	Clamping depth of external pull-off A1 [mm]	350 mm
A2	Clamping depth outside pull-off A2 [mm]	400 mm
A3	Clamping depth external pull-off A3 [mm]	450 mm
K	Hook root thickness at the tip (claw thickness K) [mm]	9,5 mm
J	Hook base width (claw width J) [mm]	45 mm
O	Hook base depth usable (claw depth usable O) [mm]	66,5 mm
H	Total hook root depth (total claw depth H) [mm]	82 mm
L	Total claw thickness (L+1mm) (claw distance to base surface) [mm]	25 mm
Emin	Span inside pull-out (min.) [mm]	280 mm
Emax	Span inside pull-out (max.) [mm]	600 mm
Tmax	Max. torque [Nm]	30 Nm
Fmax	Max. tractive force [t]	20 t
Fmax	Max. tensile force [kN]	200 kN



Abbreviation	Attribut	Wert
X	Total width [mm]	570 mm
Y	Total depth [mm]	570 mm
Z	Total height [mm]	610 mm
A	Clamping depth outside pull-off [mm]	450 mm
S1	Width across flats [mm]	17 mm
Cmin	Span outside pull-off (min.) [mm]	57 mm
Cmax	Span outside pull-off (max.) [mm]	520 mm
A1	Clamping depth of external pull-off A1 [mm]	350 mm
A2	Clamping depth outside pull-off A2 [mm]	400 mm
A3	Clamping depth external pull-off A3 [mm]	450 mm
K	Hook root thickness at the tip (claw thickness K) [mm]	9,5 mm
J	Hook base width (claw width J) [mm]	45 mm
O	Hook base depth usable (claw depth usable O) [mm]	66,5 mm
H	Total hook root depth (total claw depth H) [mm]	82 mm
L	Total claw thickness (L+1mm) (claw distance to base surface) [mm]	25 mm
Emin	Span inside pull-out (min.) [mm]	280 mm
Emax	Span inside pull-out (max.) [mm]	600 mm
Tmax	Max. torque [Nm]	30 Nm
Fmax	Max. tractive force [t]	20 t
Fmax	Max. tensile force [kN]	200 kN



Abbreviation	Attribut	Wert
X	Total width [mm]	570 mm
Y	Total depth [mm]	570 mm
Z	Total height [mm]	610 mm

A	Clamping depth outside pull-off [mm]	450 mm
S1	Width across flats [mm]	17 mm
Cmin	Span outside pull-off (min.) [mm]	57 mm
Cmax	Span outside pull-off (max.) [mm]	520 mm
A1	Clamping depth of external pull-off A1 [mm]	350 mm
A2	Clamping depth outside pull-off A2 [mm]	400 mm
A3	Clamping depth external pull-off A3 [mm]	450 mm
K	Hook root thickness at the tip (claw thickness K) [mm]	9,5 mm
J	Hook base width (claw width J) [mm]	45 mm
O	Hook base depth usable (claw depth usable O) [mm]	66,5 mm
H	Total hook root depth (total claw depth H) [mm]	82 mm
L	Total claw thickness (L+1mm) (claw distance to base surface) [mm]	25 mm
Emin	Span inside pull-out (min.) [mm]	280 mm
Emax	Span inside pull-out (max.) [mm]	600 mm
Tmax	Max. torque [Nm]	30 Nm
Fmax	Max. tractive force [t]	20 t
Fmax	Max. tensile force [kN]	200 kN