

20-4-AV 2-jaw universal puller with adjustable reach from 500 mm to 500 mm, spread up to 520 mm



APPLICATION IMAGE



DESCRIPTION

The 2-jaw universal puller with adjustable reach is used for pulling bearings, gears, and discs in all common sizes for trades, workshops, and industry. The 20-5 is the largest of its kind in the world, making it the most powerful puller in the 20 series. It can loosen any component that sits on a shaft and is freely accessible from the outside. The puller adapts to any pulling situation due to its individually adjustable spread and reach, ensuring a particularly safe, non-destructive disassembly during both external extraction and internal extraction.

APPLICATION AREA

For pulling off bearings, gears and pulleys

BENEFIT

- The screw connection allows for easy loosening and particularly tight fastening of the jaws with an allen key
- Application also for eccentric components through freely movable jaws gliding on the crossbar
- Variable adjustment for any span between 0 mm – 520 mm and reach depth between 500 mm – 500 mm
- - Variable adaptation to any span width between xx - xxx mm as well as clamping depth xx - xxx mm
- Nothing
- Anti-slip safety (spindle neck) at the spindle head for safe working with a wrench
- Spindle run-out to protect the thread

OPERATION

- Place the puller jaws from the outside onto the part to be removed
- Slide the jaws under the component
- Use a wrench to secure the jaws
- Manually pull the spindle for fixation
- Activate the hexagon on the spindle head with a ratchet or a claw wrench until the component is loosened

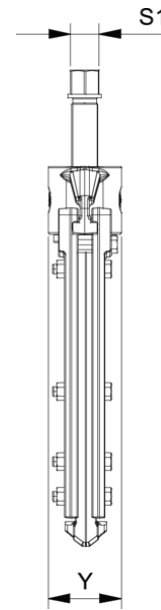
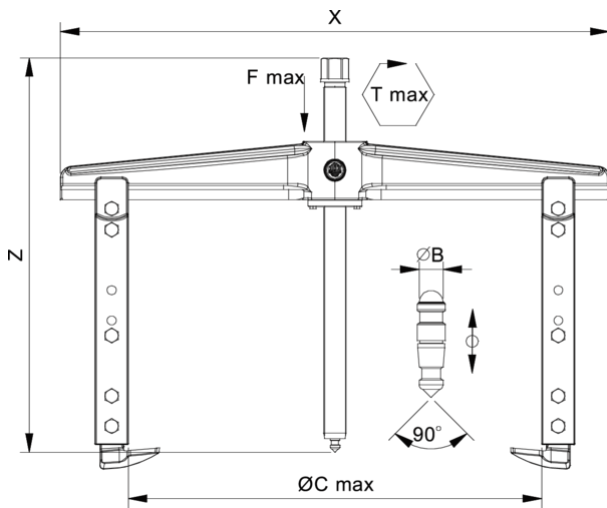
MASTER DATA

GTIN [EAN]	4021176706233
Country of origin	DE
Case material	Tool steel
Series	20-AV
Net weight [kg]	2,74 kg
Package contents	1 piece
Packaging Act	PAP 21
Global sales capability given	Yes (REACH, RoHS, POP, PROP65, TSCA)

SPARE PARTS

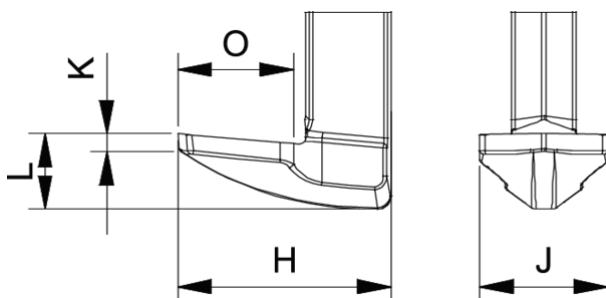
- 20-4-T_crossbar for 20-4
- 4-SP-P_jaws with adjustable length (pair)
- 633370_Double-sided spindle tip
- 633500_Mechanical pressure spindle

2-jaw universal puller with adjustable reach from 500 mm to 500 mm, spread up to 520 mm

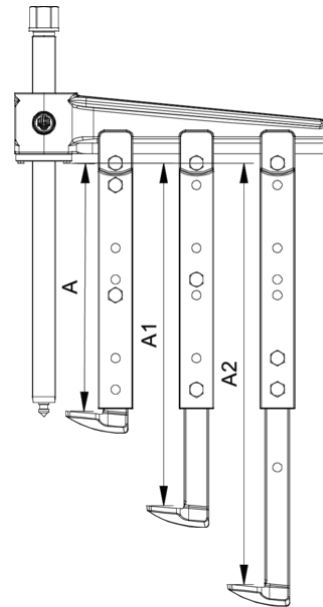


Abbreviation	Attribut	Wert
X	Total width [mm]	600 mm
Y	Total depth [mm]	85 mm
Z	Total height [mm]	550 mm
A	Clamping depth outside pull-off [mm]	500 mm
S1	Width across flats [mm]	36 mm
Cmin	Span outside pull-off (min.) [mm]	0 mm
Cmax	Span outside pull-off (max.) [mm]	520 mm
A1	Clamping depth of external pull-off A1 [mm]	350 mm
A2	Clamping depth outside pull-off A2 [mm]	400 mm
A3	Clamping depth external pull-off A3 [mm]	450 mm
A4	Clamping depth outside pull-off A4 [mm]	500 mm
K	Hook root thickness at the tip (claw thickness K) [mm]	5 mm
J	Hook base width (claw width J) [mm]	45 mm
O	Hook base depth usable (claw depth usable O) [mm]	50 mm
H	Total hook root depth (total claw depth H) [mm]	82 mm
L	Total claw thickness (L+1mm) (claw distance to base surface) [mm]	30 mm
Emin	Span inside pull-out (min.) [mm]	200 mm
Emax	Span inside pull-out (max.) [mm]	590 mm
Tmax	Max. torque [Nm]	400 Nm
Fmax	Max. tractive force [t]	12 t
Fmax	Max. tensile force [kN]	120 kN

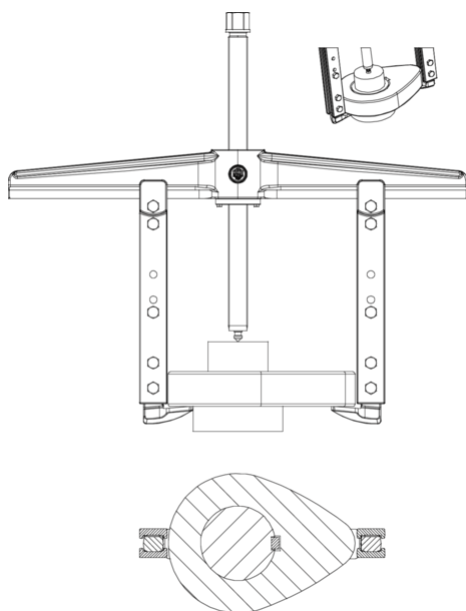
Abbreviation	Attribut	Wert
X	Total width [mm]	600 mm
Y	Total depth [mm]	85 mm
Z	Total height [mm]	550 mm
A	Clamping depth outside pull-off [mm]	500 mm
S1	Width across flats [mm]	36 mm
Cmin	Span outside pull-off (min.) [mm]	0 mm
Cmax	Span outside pull-off (max.) [mm]	520 mm
A1	Clamping depth of external pull-off A1 [mm]	350 mm
A2	Clamping depth outside pull-off A2 [mm]	400 mm
A3	Clamping depth external pull-off A3 [mm]	450 mm
A4	Clamping depth outside pull-off A4 [mm]	500 mm
K	Hook root thickness at the tip (claw thickness K) [mm]	5 mm
J	Hook base width (claw width J) [mm]	45 mm
O	Hook base depth usable (claw depth usable O) [mm]	50 mm
H	Total hook root depth (total claw depth H) [mm]	82 mm
L	Total claw thickness (L+1mm) (claw distance to base surface) [mm]	30 mm
Emin	Span inside pull-out (min.) [mm]	200 mm
Emax	Span inside pull-out (max.) [mm]	590 mm
Tmax	Max. torque [Nm]	400 Nm
Fmax	Max. tractive force [t]	12 t
Fmax	Max. tensile force [kN]	120 kN



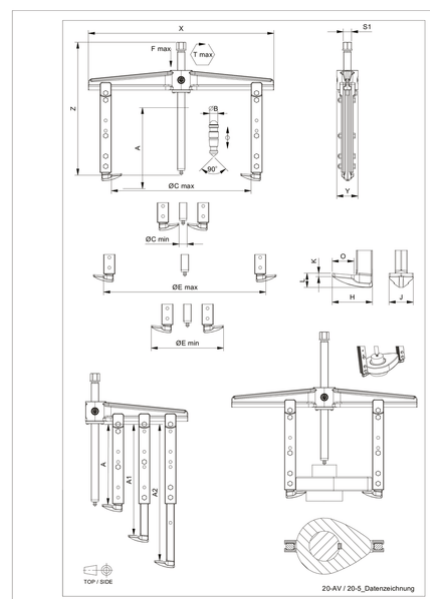
Abbreviation	Attribut	Wert
X	Total width [mm]	600 mm
Y	Total depth [mm]	85 mm
Z	Total height [mm]	550 mm
A	Clamping depth outside pull-off [mm]	500 mm
S1	Width across flats [mm]	36 mm
Cmin	Span outside pull-off (min.) [mm]	0 mm
Cmax	Span outside pull-off (max.) [mm]	520 mm
A1	Clamping depth of external pull-off A1 [mm]	350 mm
A2	Clamping depth outside pull-off A2 [mm]	400 mm
A3	Clamping depth external pull-off A3 [mm]	450 mm
A4	Clamping depth outside pull-off A4 [mm]	500 mm
K	Hook root thickness at the tip (claw thickness K) [mm]	5 mm
J	Hook base width (claw width J) [mm]	45 mm
O	Hook base depth usable (claw depth usable O) [mm]	50 mm
H	Total hook root depth (total claw depth H) [mm]	82 mm
L	Total claw thickness (L+1mm) (claw distance to base surface) [mm]	30 mm
Emin	Span inside pull-out (min.) [mm]	200 mm
Emax	Span inside pull-out (max.) [mm]	590 mm
Tmax	Max. torque [Nm]	400 Nm
Fmax	Max. tractive force [t]	12 t
Fmax	Max. tensile force [kN]	120 kN



Abbreviation	Attribut	Wert
X	Total width [mm]	600 mm
Y	Total depth [mm]	85 mm
Z	Total height [mm]	550 mm
A	Clamping depth outside pull-off [mm]	500 mm
S1	Width across flats [mm]	36 mm
Cmin	Span outside pull-off (min.) [mm]	0 mm
Cmax	Span outside pull-off (max.) [mm]	520 mm
A1	Clamping depth of external pull-off A1 [mm]	350 mm
A2	Clamping depth outside pull-off A2 [mm]	400 mm
A3	Clamping depth external pull-off A3 [mm]	450 mm
A4	Clamping depth outside pull-off A4 [mm]	500 mm
K	Hook root thickness at the tip (claw thickness K) [mm]	5 mm
J	Hook base width (claw width J) [mm]	45 mm
O	Hook base depth usable (claw depth usable O) [mm]	50 mm
H	Total hook root depth (total claw depth H) [mm]	82 mm
L	Total claw thickness (L+1mm) (claw distance to base surface) [mm]	30 mm
Emin	Span inside pull-out (min.) [mm]	200 mm
Emax	Span inside pull-out (max.) [mm]	590 mm
Tmax	Max. torque [Nm]	400 Nm
Fmax	Max. tractive force [t]	12 t
Fmax	Max. tensile force [kN]	120 kN



Abbreviation	Attribut	Wert
X	Total width [mm]	600 mm
Y	Total depth [mm]	85 mm



Abbreviation	Attribut	Wert
X	Total width [mm]	600 mm
Y	Total depth [mm]	85 mm

Z	Total height [mm]	550 mm
A	Clamping depth outside pull-off [mm]	500 mm
S1	Width across flats [mm]	36 mm
Cmin	Span outside pull-off (min.) [mm]	0 mm
Cmax	Span outside pull-off (max.) [mm]	520 mm
A1	Clamping depth of external pull-off A1 [mm]	350 mm
A2	Clamping depth outside pull-off A2 [mm]	400 mm
A3	Clamping depth external pull-off A3 [mm]	450 mm
A4	Clamping depth outside pull-off A4 [mm]	500 mm
K	Hook root thickness at the tip (claw thickness K) [mm]	5 mm
J	Hook base width (claw width J) [mm]	45 mm
O	Hook base depth usable (claw depth usable O) [mm]	50 mm
H	Total hook root depth (total claw depth H) [mm]	82 mm
L	Total claw thickness (L+1mm) (claw distance to base surface) [mm]	30 mm
Emin	Span inside pull-out (min.) [mm]	200 mm
Emax	Span inside pull-out (max.) [mm]	590 mm
Tmax	Max. torque [Nm]	400 Nm
Fmax	Max. tractive force [t]	12 t
Fmax	Max. tensile force [kN]	120 kN

Z	Total height [mm]	550 mm
A	Clamping depth outside pull-off [mm]	500 mm
S1	Width across flats [mm]	36 mm
Cmin	Span outside pull-off (min.) [mm]	0 mm
Cmax	Span outside pull-off (max.) [mm]	520 mm
A1	Clamping depth of external pull-off A1 [mm]	350 mm
A2	Clamping depth outside pull-off A2 [mm]	400 mm
A3	Clamping depth external pull-off A3 [mm]	450 mm
A4	Clamping depth outside pull-off A4 [mm]	500 mm
K	Hook root thickness at the tip (claw thickness K) [mm]	5 mm
J	Hook base width (claw width J) [mm]	45 mm
O	Hook base depth usable (claw depth usable O) [mm]	50 mm
H	Total hook root depth (total claw depth H) [mm]	82 mm
L	Total claw thickness (L+1mm) (claw distance to base surface) [mm]	30 mm
Emin	Span inside pull-out (min.) [mm]	200 mm
Emax	Span inside pull-out (max.) [mm]	590 mm
Tmax	Max. torque [Nm]	400 Nm
Fmax	Max. tractive force [t]	12 t
Fmax	Max. tensile force [kN]	120 kN