

# 20-20-SP 2-jaw universal puller with narrow jaws in a set, up to 200 mm spread, 300 mm reach



DETAIL IMAGE



## DESCRIPTION

The 2-jaw universal puller with narrow, adjustable jaws is used for safely removing bearings, gears, and discs in all common sizes for crafts, workshops, and industry. With the equipment of 2 pairs of jaws in different lengths, removal processes with various combinations and depth of space are made possible. This allows for the separation of any component that sits on a shaft and is freely accessible from the outside. The narrow jaws ensure that even tight and hard-to-reach gaps can be accessed.

## APPLICATION AREA

For the safe extraction of bearings, gears and pulleys

## BENEFIT

- Narrow puller jaws grip optimally in tight and hard-to-reach areas.
- Screw connection allows easy loosening and particularly tight fastening of the jaws with an Allen key
- Application also for eccentric components through freely movable, sliding puller jaws on the crossbar.
- Hexagonal profile on the crossbar for secure counterholding
- - Quick-adjustable trigger hooks guarantee instant adjustment to any span between xx - xxx mm
- Safety hook suspension of the claw in the sliding piece (Armlock Technology)
- Secure mounting of the spindle through the rotating spindle tip both on smooth surfaces and during centering (Switch Technology)
- By combining the hooks, a maximum reach of 350 mm can be achieved.
- Optional convertible from an External Puller to an Internal Extractor by flipping the Jaws.
- Anti-slip safety at the spindle neck for safe working with socket wrenches
- - By combining the hooks, a maximum clamping depth of 350 mm can be achieved

## OPERATION

- Position the puller jaws externally on the part to be removed
- Slide the jaws under the component
- Use a wrench to secure the jaws
- Manually pull the spindle for fixation
- Turn the hexagon at the spindle head with a ratchet or a claw wrench until the component is loosened

## MASTER DATA

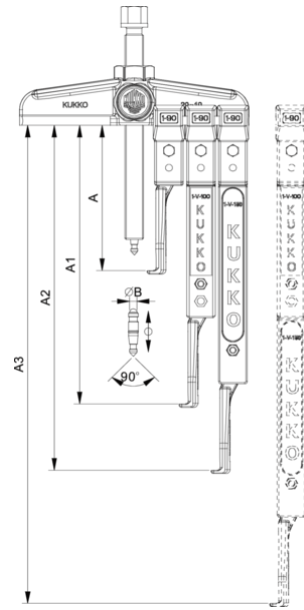
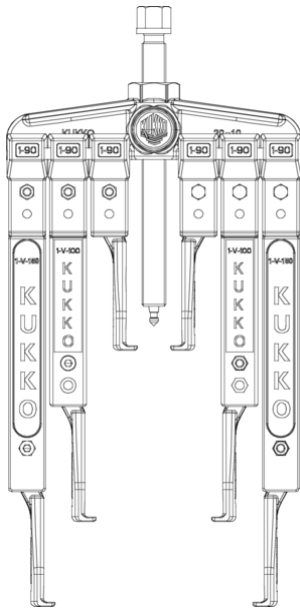
GTIN [EAN]	4021176701856
Country of origin	DE
Case material	Tool steel
Series	20-SP
Net weight [kg]	5,83 kg
Package contents	1 set
Packaging Act	PAP 21
Global sales capability given	Yes (REACH, RoHS, POP, PROP65, TSCA)

## SPARE PARTS

- 2-151-P\_slim puller claws
- 2-301-P\_slim puller

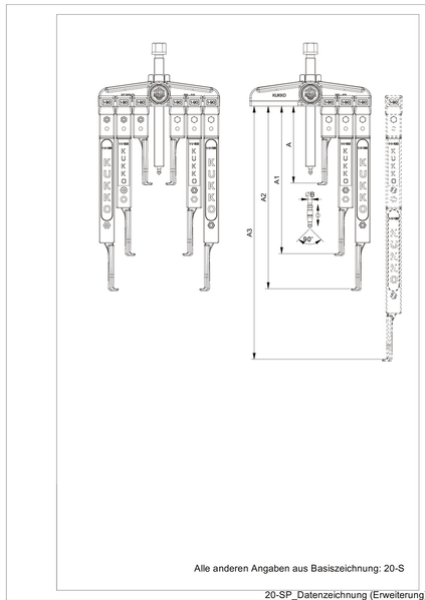
- 20-20-T crossbar for 20-20
- 620260\_Two-sided spindle tip
- 621220\_Mechanical pressure spindle

## 2-jaw universal puller with narrow jaws in a set, up to 200 mm spread, 300 mm reach



Abbreviation	Attribut	Wert
X	Total width [mm]	260 mm
Y	Total depth [mm]	45 mm
Z	Total height [mm]	254 mm
A	Clamping depth outside pull-off [mm]	300 mm
S1	Width across flats [mm]	22 mm
S2	Width across flats [mm]	36 mm
Cmin	Span outside pull-off (min.) [mm]	26 mm
Cmax	Span outside pull-off (max.) [mm]	200 mm
A1	Clamping depth of external pull-off A1 [mm]	300 mm
K	Hook root thickness at the tip (claw thickness K) [mm]	4 mm
J	Hook base width (claw width J) [mm]	32 mm
O	Hook base depth usable (claw depth usable O) [mm]	12 mm
H	Total hook root depth (total claw depth H) [mm]	20 mm
L	Total claw thickness (L+1mm) (claw distance to base surface) [mm]	4 mm
Emin	Span inside pull-out (min.) [mm]	100 mm
Emax	Span inside pull-out (max.) [mm]	260 mm
Tmax	Max. torque [Nm]	120 Nm
Fmax	Max. tractive force [t]	5 t
Fmax	Max. tensile force [kN]	50 kN

Abbreviation	Attribut	Wert
X	Total width [mm]	260 mm
Y	Total depth [mm]	45 mm
Z	Total height [mm]	254 mm
A	Clamping depth outside pull-off [mm]	300 mm
S1	Width across flats [mm]	22 mm
S2	Width across flats [mm]	36 mm
Cmin	Span outside pull-off (min.) [mm]	26 mm
Cmax	Span outside pull-off (max.) [mm]	200 mm
A1	Clamping depth of external pull-off A1 [mm]	300 mm
K	Hook root thickness at the tip (claw thickness K) [mm]	4 mm
J	Hook base width (claw width J) [mm]	32 mm
O	Hook base depth usable (claw depth usable O) [mm]	12 mm
H	Total hook root depth (total claw depth H) [mm]	20 mm
L	Total claw thickness (L+1mm) (claw distance to base surface) [mm]	4 mm
Emin	Span inside pull-out (min.) [mm]	100 mm
Emax	Span inside pull-out (max.) [mm]	260 mm
Tmax	Max. torque [Nm]	120 Nm
Fmax	Max. tractive force [t]	5 t
Fmax	Max. tensile force [kN]	50 kN



Abbreviation	Attribut	Wert
X	Total width [mm]	260 mm
Y	Total depth [mm]	45 mm
Z	Total height [mm]	254 mm
A	Clamping depth outside pull-off [mm]	300 mm
S1	Width across flats [mm]	22 mm
S2	Width across flats [mm]	36 mm
Cmin	Span outside pull-off (min.) [mm]	26 mm
Cmax	Span outside pull-off (max.) [mm]	200 mm
A1	Clamping depth of external pull-off A1 [mm]	300 mm
K	Hook root thickness at the tip (claw thickness K) [mm]	4 mm
J	Hook base width (claw width J) [mm]	32 mm
O	Hook base depth usable (claw depth usable O) [mm]	12 mm
H	Total hook root depth (total claw depth H) [mm]	20 mm
L	Total claw thickness (L+1mm) (claw distance to base surface) [mm]	4 mm
Emin	Span inside pull-out (min.) [mm]	100 mm
Emax	Span inside pull-out (max.) [mm]	260 mm
Tmax	Max. torque [Nm]	120 Nm
Fmax	Max. tractive force [t]	5 t
Fmax	Max. tensile force [kN]	50 kN