

20-10-SP 2-jaw universal puller with narrow jaws in set, up to 120 mm spread, 350 mm reach



DETAIL IMAGE



DESCRIPTION

The 2-jaw universal puller with narrow, adjustable jaws is used for safely pulling bearings, gears, and discs in all common sizes for crafts, workshops, and industry. With the inclusion of 3 pairs of jaws in various lengths, pulling processes with diverse combinations and spaces are made possible. This allows for loosening any component that is mounted on a shaft and is freely accessible from the outside. The narrow jaws ensure that even tight and poorly accessible gaps can be reached.

APPLICATION AREA

For the safe extraction of bearings, gears and pulleys

BENEFIT

- Narrow puller jaws grip optimally in tight and hard-to-reach areas.
- Screw connection allows easy loosening and particularly tight fastening of the jaws with an Allen key
- Application also for eccentric components through freely movable, sliding puller jaws on the crossbar.
- Hexagonal profile on the crossbar for secure counterholding
- - Quick-adjustable trigger hooks guarantee instant adjustment to any span between xx - xxx mm
- Safety hook suspension of the claw in the sliding piece (Armlock Technology)
- Secure mounting of the spindle through the rotating spindle tip both on smooth surfaces and during centering (Switch Technology)
- By combining the hooks, a maximum reach of 350 mm can be achieved.
- Optional convertible from an External Puller to an Internal Extractor by flipping the Jaws.
- Anti-slip safety at the spindle neck for safe working with socket wrenches
- - By combining the hooks, a maximum clamping depth of 350 mm can be achieved

OPERATION

- Position the puller jaws externally on the part to be removed
- Slide the jaws under the component
- Use a wrench to secure the jaws
- Manually pull the spindle for fixation
- Turn the hexagon at the spindle head with a ratchet or a claw wrench until the component is loosened

MASTER DATA

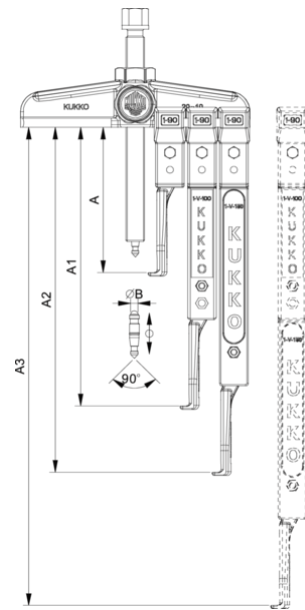
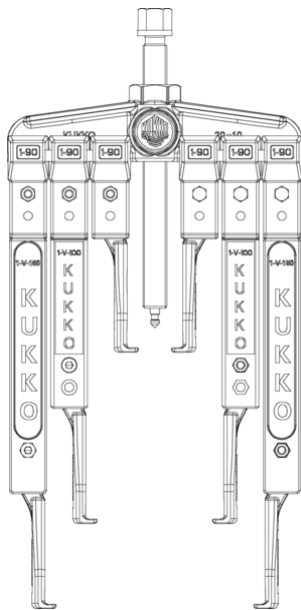
GTIN [EAN]	4021176461514
Country of origin	DE
Case material	Tool steel
Series	20-SP
Net weight [kg]	3,69 kg
Package contents	1 set
Packaging Act	PAP 21
Global sales capability given	Yes (REACH, RoHS, POP, PROP65, TSCA)

SPARE PARTS

- 1-191-P_pullers
- 1-251-P_puller jaws

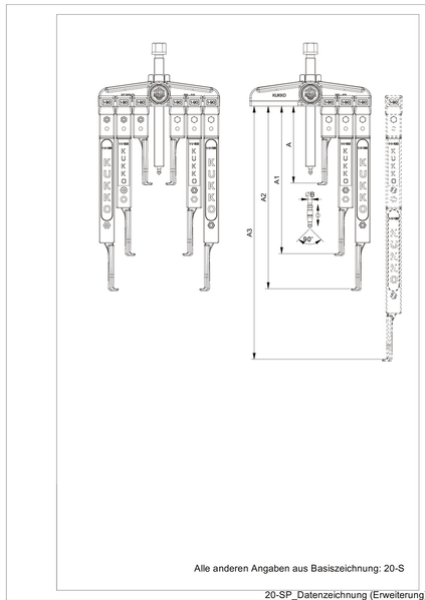
- 1-91-P_schmale jaws
- 20-10-T crossbar für 20-10
- 614160_Mechanical pressure spindle

2-jaw universal puller with narrow jaws in set, up to 120 mm spread, 350 mm reach



Abbreviation	Attribut	Wert
X	Total width [mm]	172 mm
Y	Total depth [mm]	37 mm
Z	Total height [mm]	183 mm
A	Clamping depth outside pull-off [mm]	350 mm
S1	Width across flats [mm]	17 mm
S2	Width across flats [mm]	27 mm
Cmin	Span outside pull-off (min.) [mm]	11 mm
Cmax	Span outside pull-off (max.) [mm]	120 mm
A1	Clamping depth of external pull-off A1 [mm]	200 mm
A2	Clamping depth outside pull-off A2 [mm]	250 mm
A3	Clamping depth external pull-off A3 [mm]	350 mm
K	Hook root thickness at the tip (claw thickness K) [mm]	3 mm
J	Hook base width (claw width J) [mm]	30 mm
O	Hook base depth usable (claw depth usable O) [mm]	9,5 mm
H	Total hook root depth (total claw depth H) [mm]	13 mm
L	Total claw thickness (L+1mm) (claw distance to base surface) [mm]	2,6 mm
Emin	Span inside pull-out (min.) [mm]	70 mm
Emax	Span inside pull-out (max.) [mm]	180 mm
Tmax	Max. torque [Nm]	35 Nm
Fmax	Max. tractive force [t]	2,5 t
Fmax	Max. tensile force [kN]	25 kN

Abbreviation	Attribut	Wert
X	Total width [mm]	172 mm
Y	Total depth [mm]	37 mm
Z	Total height [mm]	183 mm
A	Clamping depth outside pull-off [mm]	350 mm
S1	Width across flats [mm]	17 mm
S2	Width across flats [mm]	27 mm
Cmin	Span outside pull-off (min.) [mm]	11 mm
Cmax	Span outside pull-off (max.) [mm]	120 mm
A1	Clamping depth of external pull-off A1 [mm]	200 mm
A2	Clamping depth outside pull-off A2 [mm]	250 mm
A3	Clamping depth external pull-off A3 [mm]	350 mm
K	Hook root thickness at the tip (claw thickness K) [mm]	3 mm
J	Hook base width (claw width J) [mm]	30 mm
O	Hook base depth usable (claw depth usable O) [mm]	9,5 mm
H	Total hook root depth (total claw depth H) [mm]	13 mm
L	Total claw thickness (L+1mm) (claw distance to base surface) [mm]	2,6 mm
Emin	Span inside pull-out (min.) [mm]	70 mm
Emax	Span inside pull-out (max.) [mm]	180 mm
Tmax	Max. torque [Nm]	35 Nm
Fmax	Max. tractive force [t]	2,5 t
Fmax	Max. tensile force [kN]	25 kN



Abbreviation	Attribut	Wert
X	Total width [mm]	172 mm
Y	Total depth [mm]	37 mm
Z	Total height [mm]	183 mm
A	Clamping depth outside pull-off [mm]	350 mm
S1	Width across flats [mm]	17 mm
S2	Width across flats [mm]	27 mm
Cmin	Span outside pull-off (min.) [mm]	11 mm
Cmax	Span outside pull-off (max.) [mm]	120 mm
A1	Clamping depth of external pull-off A1 [mm]	200 mm
A2	Clamping depth outside pull-off A2 [mm]	250 mm
A3	Clamping depth external pull-off A3 [mm]	350 mm
K	Hook root thickness at the tip (claw thickness K) [mm]	3 mm
J	Hook base width (claw width J) [mm]	30 mm
O	Hook base depth usable (claw depth usable O) [mm]	9,5 mm
H	Total hook root depth (total claw depth H) [mm]	13 mm
L	Total claw thickness (L+1mm) (claw distance to base surface) [mm]	2,6 mm
Emin	Span inside pull-out (min.) [mm]	70 mm
Emax	Span inside pull-out (max.) [mm]	180 mm
Tmax	Max. torque [Nm]	35 Nm
Fmax	Max. tractive force [t]	2.5 t
Fmax	Max. tensile force [kN]	25 kN