

20-3-4 2-jaw universal puller, up to 250 mm spread, 400 mm reach with extended jaws



DESCRIPTION

The 2-jaw universal puller with extended jaws is used for pulling out deeply seated bearings, gears, and disks in all common sizes for crafts, workshops, and industry. This allows for the loosening of any component that is mounted on a shaft and freely accessible from the outside. Equipped with sturdy and adjustable standard jaws, the puller all-rounder ensures particularly safe and non-destructive disassembly during both external extraction and internal extracting.

APPLICATION AREA

For pulling off deep-seated bearings, gears and pulleys

BENEFIT

- The screw connection allows easy loosening and particularly tight fastening of the jaws with an allen key
- Application also for eccentric components through freely movable, sliding jaws on the crossbar.
- Hexagonal profile on the crossbar for secure counter-holding
- Variable adjustment to any spread between 0 mm – 250 mm
- Shear-safe suspension of the claw in the sliding piece (ARMLOCK Technology)
- Safe positioning of the spindle through a rotatable spindle tip on both smooth surfaces and during centering (SWITCH Technology)
- Optional convertible from an external puller to an internal extractor by reversing the jaws.
- Anti-slip safety (spindle neck) at the spindle head for safe working with socket wrench.
- Spindle run-out to protect the thread

OPERATION

- Place the puller jaws from the outside onto the part to be pulled off
- Slide the claws under the component
- Use a wrench to secure the jaws
- Manually pull the spindle for fixation
- Set the hexagon at the spindle head in motion with a ratchet or a box wrench until the component is released

MASTER DATA

| | |
|-------------------------------|--------------------------------------|
| GTIN [EAN] | 4021176467066 |
| Country of origin | DE |
| Case material | Tool steel |
| Series | 20-Classic |
| Net weight [kg] | 9,75 kg |
| Package contents | 1 piece |
| Packaging Act | PAP 21 |
| Global sales capability given | Yes (REACH, RoHS, POP, PROP65, TSCA) |

SPARE PARTS

- 20-3-T_Traverse for 20-3
- 3-400-P_standard jaws
- 626300_Mechanical spindle
- 626300_Mechanical spindle

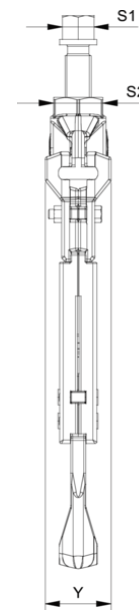
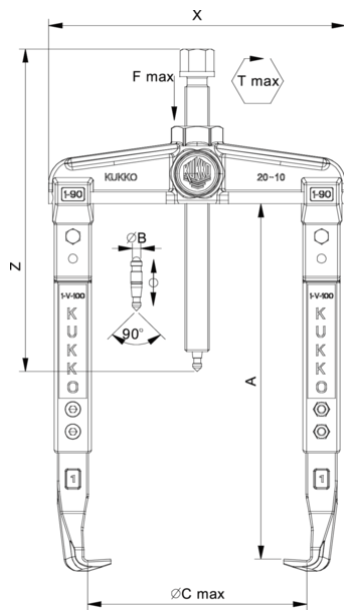
APPLICATION IMAGE



DETAIL IMAGE

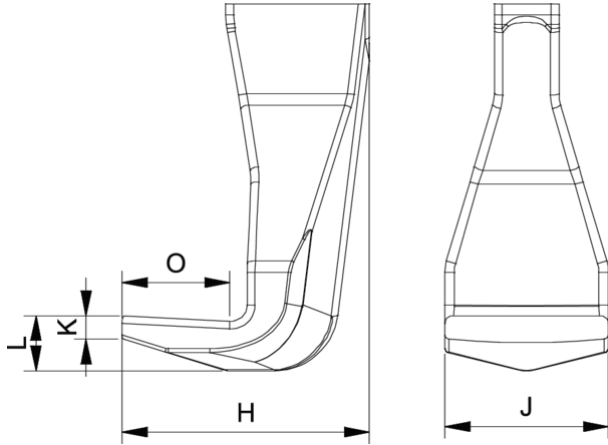


2-jaw universal puller, up to 250 mm spread, 400 mm reach with extended jaws

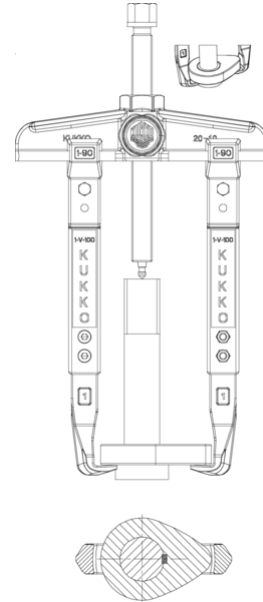


| Abbreviation | Attribut | Wert |
|--------------|---|---------|
| X | Total width [mm] | 330 mm |
| Z | Total height [mm] | 337 mm |
| A | Clamping depth outside pull-off [mm] | 400 mm |
| S1 | Width across flats [mm] | 27 mm |
| S2 | Width across flats [mm] | 46 mm |
| Cmin | Span outside pull-off (min.) [mm] | 0 mm |
| Cmax | Span outside pull-off (max.) [mm] | 250 mm |
| K | Hook root thickness at the tip (claw thickness K) [mm] | 4 mm |
| J | Hook base width (claw width J) [mm] | 35 mm |
| O | Hook base depth usable (claw depth usable O) [mm] | 32,5 mm |
| H | Total hook root depth (total claw depth H) [mm] | 67 mm |
| L | Total claw thickness (L+1mm) (claw distance to base surface) [mm] | 20 mm |
| Emin | Span inside pull-out (min.) [mm] | 180 mm |
| Emax | Span inside pull-out (max.) [mm] | 340 mm |
| Tmax | Max. torque [Nm] | 300 Nm |
| Fmax | Max. tractive force [t] | 10 t |
| Fmax | Max. tensile force [kN] | 100 kN |

| Abbreviation | Attribut | Wert |
|--------------|---|---------|
| X | Total width [mm] | 330 mm |
| Z | Total height [mm] | 337 mm |
| A | Clamping depth outside pull-off [mm] | 400 mm |
| S1 | Width across flats [mm] | 27 mm |
| S2 | Width across flats [mm] | 46 mm |
| Cmin | Span outside pull-off (min.) [mm] | 0 mm |
| Cmax | Span outside pull-off (max.) [mm] | 250 mm |
| K | Hook root thickness at the tip (claw thickness K) [mm] | 4 mm |
| J | Hook base width (claw width J) [mm] | 35 mm |
| O | Hook base depth usable (claw depth usable O) [mm] | 32,5 mm |
| H | Total hook root depth (total claw depth H) [mm] | 67 mm |
| L | Total claw thickness (L+1mm) (claw distance to base surface) [mm] | 20 mm |
| Emin | Span inside pull-out (min.) [mm] | 180 mm |
| Emax | Span inside pull-out (max.) [mm] | 340 mm |
| Tmax | Max. torque [Nm] | 300 Nm |
| Fmax | Max. tractive force [t] | 10 t |
| Fmax | Max. tensile force [kN] | 100 kN |



| Abbreviation | Attribut | Wert |
|--------------|---|---------|
| X | Total width [mm] | 330 mm |
| Z | Total height [mm] | 337 mm |
| A | Clamping depth outside pull-off [mm] | 400 mm |
| S1 | Width across flats [mm] | 27 mm |
| S2 | Width across flats [mm] | 46 mm |
| Cmin | Span outside pull-off (min.) [mm] | 0 mm |
| Cmax | Span outside pull-off (max.) [mm] | 250 mm |
| K | Hook root thickness at the tip (claw thickness K) [mm] | 4 mm |
| J | Hook base width (claw width J) [mm] | 35 mm |
| O | Hook base depth usable (claw depth usable O) [mm] | 32,5 mm |
| H | Total hook root depth (total claw depth H) [mm] | 67 mm |
| L | Total claw thickness (L+1mm) (claw distance to base surface) [mm] | 20 mm |
| Emin | Span inside pull-out (min.) [mm] | 180 mm |
| Emax | Span inside pull-out (max.) [mm] | 340 mm |
| Tmax | Max. torque [Nm] | 300 Nm |
| Fmax | Max. tractive force [t] | 10 t |
| Fmax | Max. tensile force [kN] | 100 kN |



| Abbreviation | Attribut | Wert |
|--------------|---|---------|
| X | Total width [mm] | 330 mm |
| Z | Total height [mm] | 337 mm |
| A | Clamping depth outside pull-off [mm] | 400 mm |
| S1 | Width across flats [mm] | 27 mm |
| S2 | Width across flats [mm] | 46 mm |
| Cmin | Span outside pull-off (min.) [mm] | 0 mm |
| Cmax | Span outside pull-off (max.) [mm] | 250 mm |
| K | Hook root thickness at the tip (claw thickness K) [mm] | 4 mm |
| J | Hook base width (claw width J) [mm] | 35 mm |
| O | Hook base depth usable (claw depth usable O) [mm] | 32,5 mm |
| H | Total hook root depth (total claw depth H) [mm] | 67 mm |
| L | Total claw thickness (L+1mm) (claw distance to base surface) [mm] | 20 mm |
| Emin | Span inside pull-out (min.) [mm] | 180 mm |
| Emax | Span inside pull-out (max.) [mm] | 340 mm |
| Tmax | Max. torque [Nm] | 300 Nm |
| Fmax | Max. tractive force [t] | 10 t |
| Fmax | Max. tensile force [kN] | 100 kN |