



## No. 907Q-WT7

### TORX workshop stand

With T-grip key no. 907Q, 7-piece set.

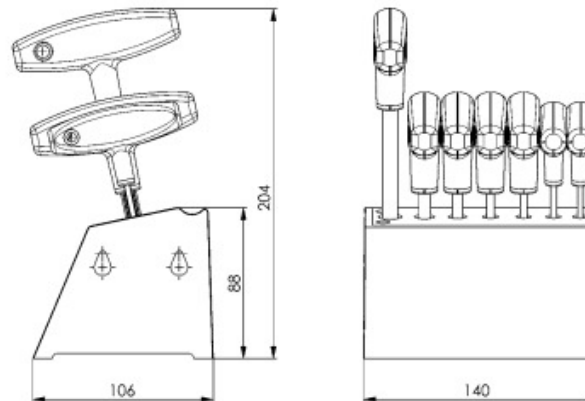
Blades: CHROME VANADIUM, hardened and **chrome-plated**, with black tip.

Handle: homogeneous, impact-resistant plastic (cadmium-free), green.

Stand: homogeneous, impact-resistant **plastic**, with connection clip for attaching additional workshop stands.



Order no.	Contents: TORX x blade length L1	Weight [g]
46722	T10x100, T15x100, T20x100, T25x100, T30x100, T40x100, T50x150	620



Space for two additional TORX keys