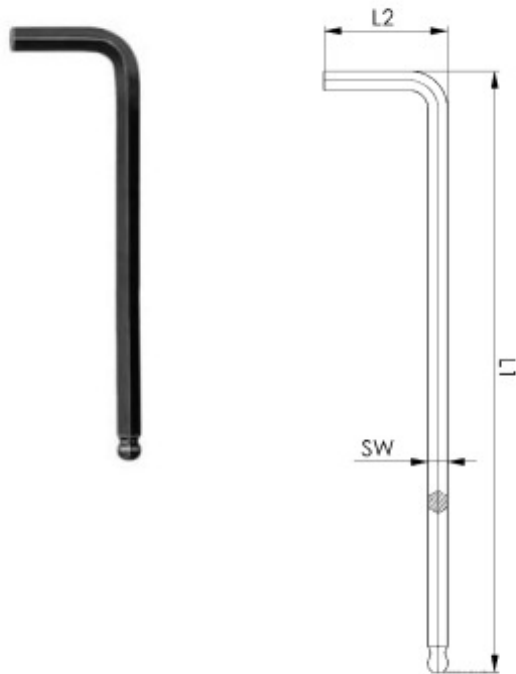




No. 911G-C

Ball-ended hexagon key (metric)

CHROM VANADIUM, hardened, steel-grey.



Order no.	SW [mm]	L1 x L2 [mm]	Weight [g]
46458	1,5	46,5 x 15,5	1
46474	2,0	52,0 x 18,0	2
46490	2,5	58,5 x 20,5	3
46516	3	66 x 23	5
46532	4	74 x 29	11
46557	5	85 x 33	20
46573	6	96 x 38	32
46599	8	108 x 44	65
46466	10	122 x 50	113