

## PRESSURE GAUGE AXIAL STAINLESS STEEL BOX WITH GLYCERINE D.63 BSP

Pressure gauge axial stainless steel box with glycerine for liquid and gas network, not for viscous or crystallizing liquid and not attacking copper alloys, for hydraulic, compressed air and shipbuilding.

Plexiglas glass.

Protection indice IP65.

Brass Bourdon tube.

Double graduation bar/psi.



**Size :** Ø63

**Connection :** Male 1/4" BSP

**Min Temperature :** +0°C

**Max Temperature :** +60°C

**Pressure Range :** -1/+1 Bar to 0+/600 Bars (-15/+15 PSI to 0/9000 PSI)

**Specifications :** Stainless steel box  
Bourdon brass tube  
Wet dial with glycerine  
Class 1.6

**Materials :** AISI 304 box

**PRESSURE GAUGE AXIAL STAINLESS STEEL BOX WITH GLYCERINE D.63 BSP****SPECIFICATIONS :**

- AISI 304 box
- Brass mechanism
- Brass fitting
- Plexiglass glass
- With glycerine
- 1.6 Class
- Protection IP65
- Back connection BSP threaded
- Double graduation bar / psi

**USE :**

- Not for viscous or crystallizing liquid
- Hydraulic, Compressed air and shipbuilding
- Min and max Temperature Ts : 0°C to +60°C

**RANGE :**

- Pressure gauge axial Ø 63 with back connection 1/4" BSP , range -1/+1 to 0/600 bars and -15/+15 to 0/9000 psi **Ref. 1623**

**ACCESSORIES :**

- Steel support with screws **Ref. 9880010**

## PRESSURE GAUGE AXIAL STAINLESS STEEL BOX WITH GLYCERINE D.63 BSP

GRADUATIONS :

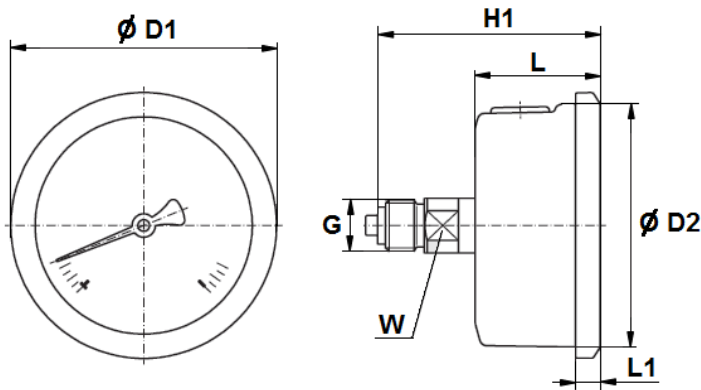
Range (bar)	Graduation (bar)	Range (psi)	Graduation (psi)	Ref.
-1 / +1	0,05	-15/+15	0,5	1623001
0 / 1,6	0,02	0/23	0,5	1623002
0 / 2,5	0,05	0/35	0,5	1623003
0 / 4	0,1	0/60	1	1623004
0 / 6	0,1	0/90	2	1623005
0 / 10	0,2	0/150	2	1623006
0 / 16	0,2	0/230	5	1623007
0 / 25	0,5	0/350	5	1623008
0 / 40	1	0/600	10	1623009
0 / 60	1	0/900	20	1623010
0 / 100	2	0/1500	20	1623011
0 / 160	2	0/2300	50	1623012
0 / 250	5	0/3500	50	1623013
0 / 400	10	0/6000	100	1623014
0 / 600	10	0/9000	200	1623015

MATERIALS :

DESIGNATION	MATERIALS
Box	AISI 304
Fitting	Brass
Mechanism	
Dial	Duralumin
Glass	Plexiglass
Needle	Steel

## PRESSURE GAUGE AXIAL STAINLESS STEEL BOX WITH GLYCERINE D.63 BSP

**SIZE ( in mm ) :**



Ref.	1623
L	28,7
H1	57.5
$\varnothing D1$	68
$\varnothing D2$	62
L1	6,3
G	1/4
W	14
Weight ( kg )	0,25

**STANDARDS :**

- Manufacturer certified ISO 9001 : 2015
- Designing according to EN 837-1
- DIRECTIVE 2014/68/EU : Products excluded from directive ( article 4, § 3 )
- Threaded male BSP cylindrical ends according to ISO 228-1

**ADVICE :** Our opinion and our advice are not guaranteed and SFERACO shall not be liable for the consequences of damages. The customer must check the right choice of the products with the real service conditions.