

PRESSURE GAUGE VERTICAL STAINLESS STEEL BOX WITH GLYCERINE D.100 BSP

Pressure gauge vertical stainless steel box with glycerine for liquid and gas network, not for viscous or crystallizing liquid and not attacking copper alloys, for hydraulic, compressed air and shipbuilding.

Plexiglas glass.

Protection indice IP65.

Brass Bourdon tube.

With vent security.



Size : Ø100

Connection : Male 1/2" BSP

Min Temperature : +0°C

Max Temperature : +60°C

Pressure Range : -1/+1 Bar to 0/+600 Bars

Specifications : Stainless steel box
Bourdon brass tube
Wet dial with glycerine
Class 1

Materials : AISI 304 box

PRESSURE GAUGE VERTICAL STAINLESS STEEL BOX WITH GLYCERINE D.100 BSP**SPECIFICATIONS :**

- AISI 304 box
- Brass mechanism
- Brass fitting
- Plexiglas glass
- With glycerine
- 1 Class
- Protection IP65
- Bottom connection BSP threaded
- With vent security

USE :

- Not for viscous or crystallizing liquid
- Hydraulic, Compressed air and shipbuilding
- Min and max Temperature Ts : 0°C to +60°C

RANGE :

- Pressure gauge Ø 100 with bottom connection 1/2", range -1/+1 to 0/600 bars **Ref. 1615**

ACCESSORIES :

- Copper curl PN25 Male / Female BSP DN 1/2" **Ref. 9880204**



- SS curl PN20 Male / Female BSP DN 1/2" **Ref. 9880208**



- Carbon steel curl PN25 Male / Male BSP DN 1/2" **Ref. 9880201**



- Carbon steel curl PN25 U type Male / Male BSP DN 1/2" **Ref. 9880206**

PRESSURE GAUGE VERTICAL STAINLESS STEEL BOX WITH GLYCERINE D.100 BSP

GRADUATIONS :

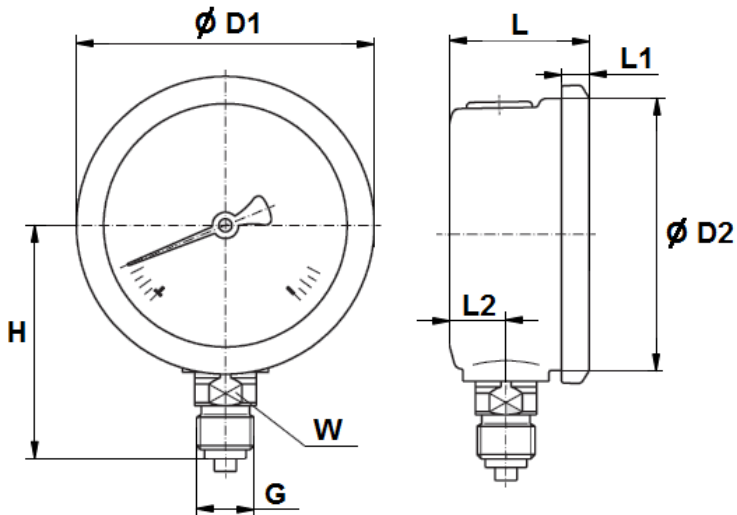
Range (bar)	Graduation (bar)	Ref.
-1 / +1	0,05	1615001
0 / 1,6	0,02	1615002
0 / 2,5	0,05	1615003
0 / 4	0,1	1615004
0 / 6	0,1	1615005
0 / 10	0,2	1615006
0 / 16	0,2	1615007
0 / 25	0,5	1615008
0 / 40	1	1615009
0 / 60	1	1615010
0 / 100	2	1615011
0 / 160	2	1615012
0 / 250	5	1615013
0 / 400	5	1615014
0 / 600	10	1615015

MATERIALS :

DESIGNATION	MATERIALS
Box	AISI 304
Fitting	Brass
Mechanism	Brass
Dial	Duralumin
Glass	Plexiglass
Needle	Duralumin

PRESSURE GAUGE VERTICAL STAINLESS STEEL BOX WITH GLYCERINE D.100 BSP

SIZE (in mm) :



Ref.	1615
L2	16
L	43
$\varnothing D1$	105
$\varnothing D2$	100
L1	14,5
G	1/2
H	86
W	22
Weight (kg)	0,71

STANDARDS :

- Manufacturer certified ISO 9001 : 2015
- Designing according to EN 837-1
- DIRECTIVE 2014/68/EU : Products excluded from directive (article 4, § 3)
- Threaded male BSP cylindrical ends according to ISO 228-1

ADVICE : Our opinion and our advice are not guaranteed and SFERACO shall not be liable for the consequences of damages. The customer must check the right choice of the products with the real service conditions.