

subject to technical alterations

type: L
range: 13 - 43 mm
range of indication: 12,8 - 43,5 mm
digital step: 0,01 mm
scale interval: -
measuring force: 1,2 - 1,7 N
weight: 360 g

acceptable deviations
VDI/VDE/DGQ 2618 Bl. 12.1/13.1)
max. permissible errors "G": 0,04 mm
repeatability "r": 0,02 mm
reference temperature: 20° C
operation temperature: 10° C - 30° C
storage temperature: -10° C - 50° C

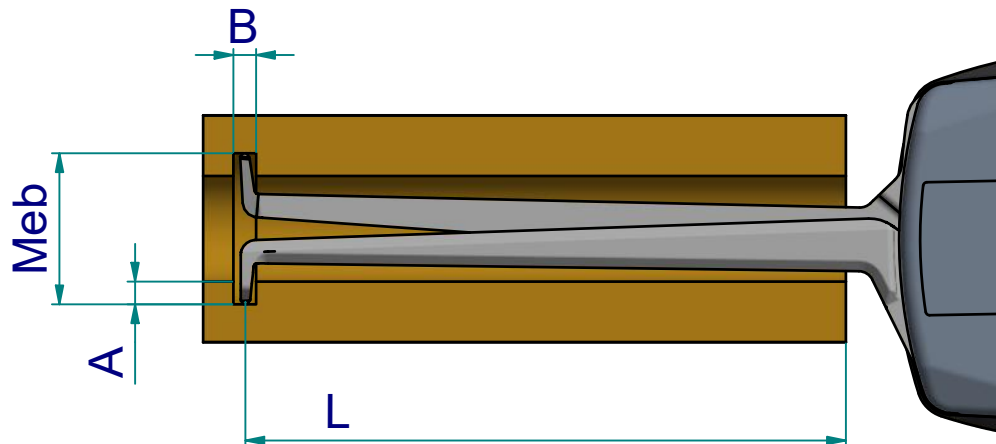
scale: 1:2
drawing-nr.: DAB-L313-K-e
date of issue: 22.02.2021
name: B. Schmidt
revision status:
revision date:

measuring capacity

		measuring range M_{eb} [mm]												
		13	15	17	19	21	23	25	28	31	34	37	40	43
groove depth A [mm]	0	0 / 125	0 / 125	0 / 126	0 / 126	0 / 127	0 / 127	0 / 127	0 / 127	0 / 127	0 / 127	0 / 127	0 / 127	0 / 127
	1		1,8 / 106	1,8 / 112	1,8 / 121	1,8 / 126	1,8 / 127	1,8 / 127	1,8 / 127	1,8 / 127	1,8 / 127	1,8 / 127	1,8 / 127	1,8 / 127
	2			1,9 / 88	1,9 / 96	1,9 / 107	1,9 / 124	1,9 / 126	1,9 / 127	1,9 / 127	1,9 / 127	1,9 / 127	1,9 / 127	1,9 / 127
	3				1,9 / 68	1,9 / 77	1,9 / 89	1,9 / 107	1,9 / 126	2,0 / 127	2,0 / 127	2,0 / 127	2,0 / 127	2,0 / 127
	4					2,0 / 46	2,0 / 54	2,0 / 65	2,0 / 98	2,0 / 126	2,0 / 127	2,0 / 127	2,1 / 127	2,1 / 127
	5						2,0 / 20	2,1 / 24	2,1 / 36	2,1 / 78	2,1 / 126	2,1 / 127	2,2 / 127	2,2 / 127
		B / L												

B = minimum groove width [mm]
L = maximum usable arm length [mm]

Example: $M_{eb} = 19$ $B = 1,9$
 $A = 2$ $L = 96$

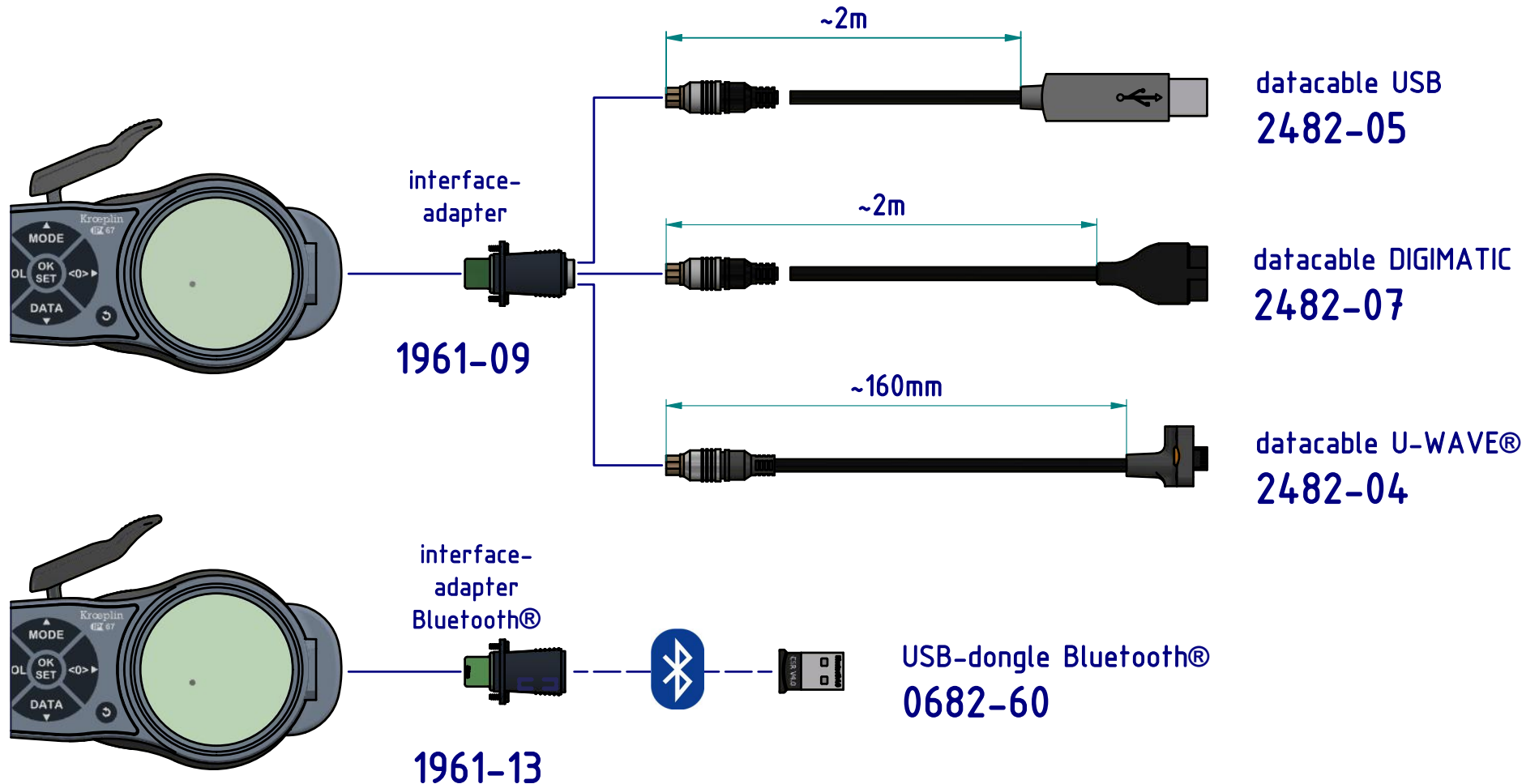


subject to technical alterations

drawing-nr.: DAB-L313-K-e
date of issue: 22.02.2021
name: B. Schmidt

revision status:
revision date:

interface as accessories available:



subject to technical alterations

drawing-nr.:	DAB-L313-K-e
date of issue:	05.03.2021
name:	B. Schmidt
revision status:	
revision date:	