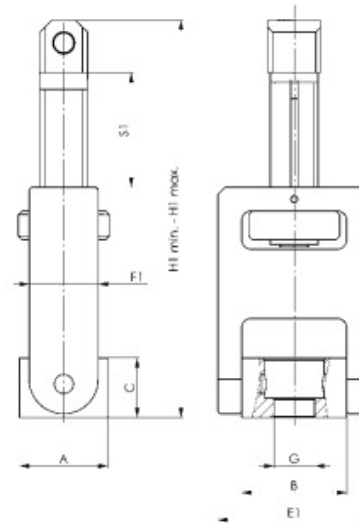




No. 6540G
Counter catch

Order no.	Size	Slot	G	S1 Stroke	max. possible clamping force [kN]	Weight [g]
374710	M12	14, 16, 18	M12	30	15	450
374728	M16	18, 20, 22, 24	M16	45	40	1240
376657	M20	22-28	M20	50	75	3402
376632	M24	28-36	M24	60	120	4008



Dimensions:

Order no.	Size	A	B	C	E1	F1	H1 min.	H1 max.
374710	M12	36	36	18	49	21	95	125
374728	M16	37	44	25	64	29	117	162
376657	M20	58	64	41	92	48	175	228
376632	M24	58	64	41	92	48	186	246